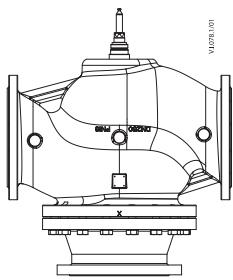


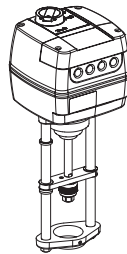
VF3 DN 200-300



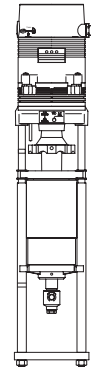
MAINTENANCE
FREE



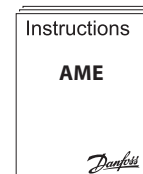
VF3



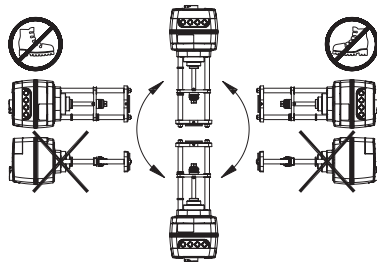
AME 685 + VF3



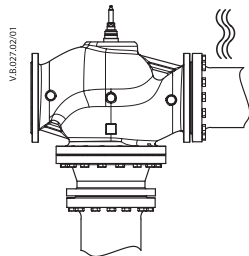
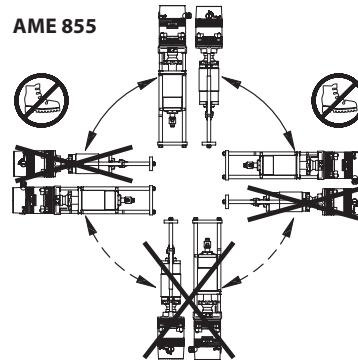
AME 855 + VF3



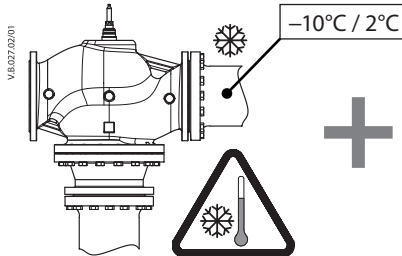
AME 685



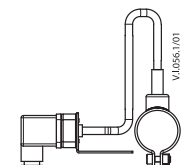
AME 855



V.8.027.02/01

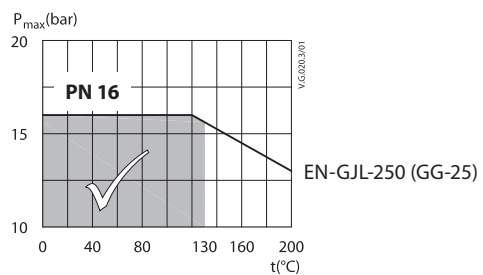
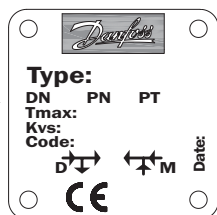


V.8.027.02/01



Stem heater **065Z7021**

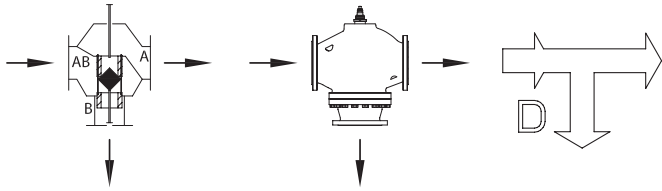
V.1.056.1/01



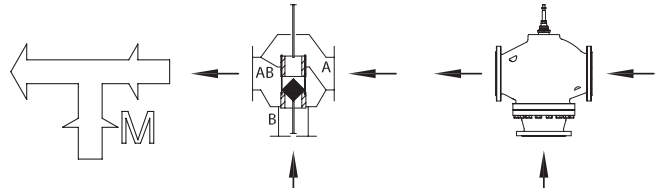
VF3 DN 200-300



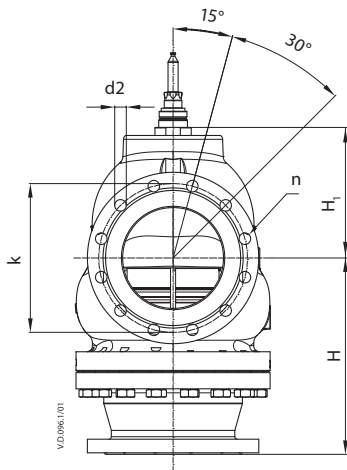
Function: Diverting



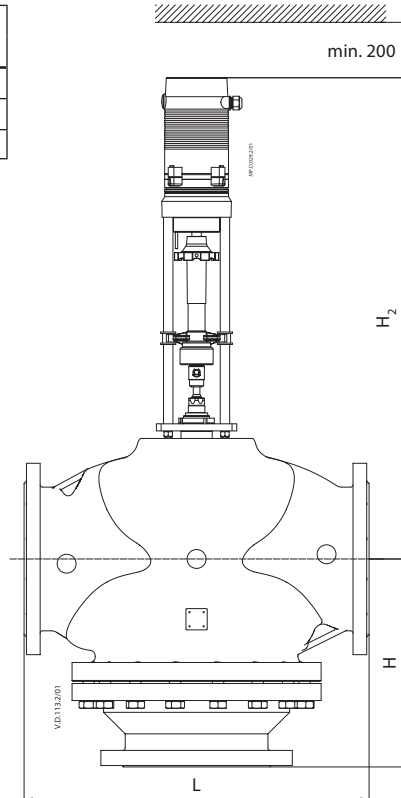
Function: Mixing



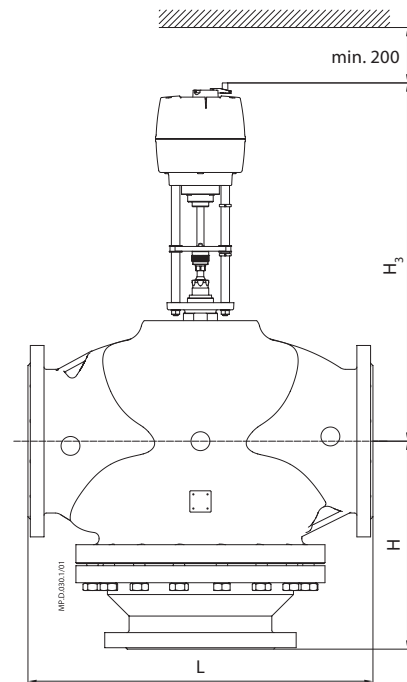
DN	L	H	H ₁	H ₂	H ₃	k	d2	n
	mm							
200	600	389	259	1006	746	295	23	12
250	730	440	1080	1018	758	355	26	12
300	850	490	1093	1051	791	410	28	12



VF3 (DN 200-300)



AME 855 +
VF3 (DN 200-300)



AME 685 +
VF3 (DN 200-300)

Danfoss A/S

Climate Solutions • danfoss.com • +45 7488 2222

Any information, including, but not limited to information on selection of product, its application or use, product design, weight, dimensions, capacity or any other technical data in product manuals, catalogues descriptions, advertisements, etc. and whether made available in writing, orally, electronically, online or via download, shall be considered informative, and is only binding if and to the extent, explicit reference is made in a quotation or order confirmation. Danfoss cannot accept any responsibility for possible errors in catalogues, brochures, videos and other material. Danfoss reserves the right to alter its products without notice. This also applies to products ordered but not delivered provided that such alterations can be made without changes to form, fit or function of the product.

All trademarks in this material are property of Danfoss A/S or Danfoss group companies. Danfoss and the Danfoss logo are trademarks of Danfoss A/S. All rights reserved.