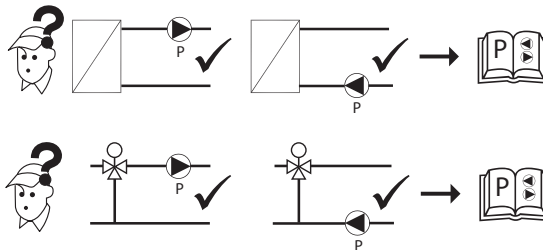
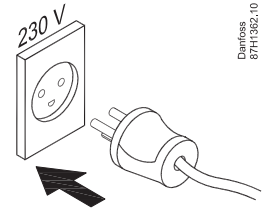
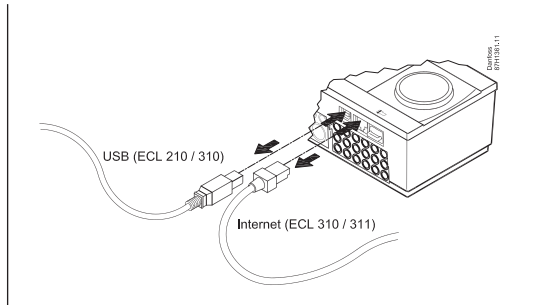
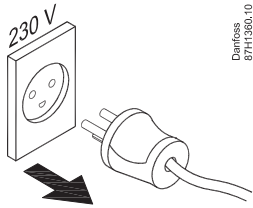
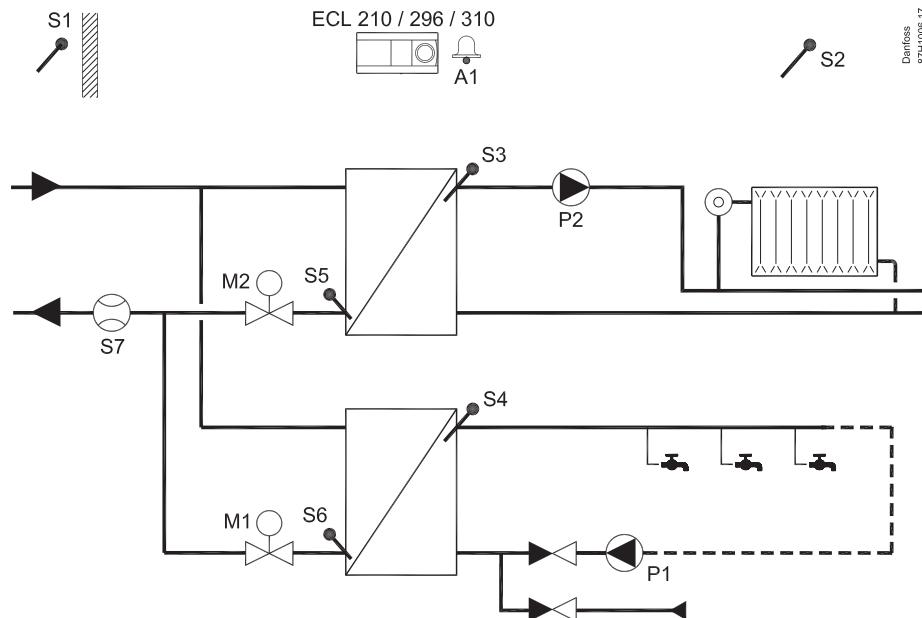


Installation Guide

ECL Comfort 210 / 296 / 310, A266 (code no. 087H3800)

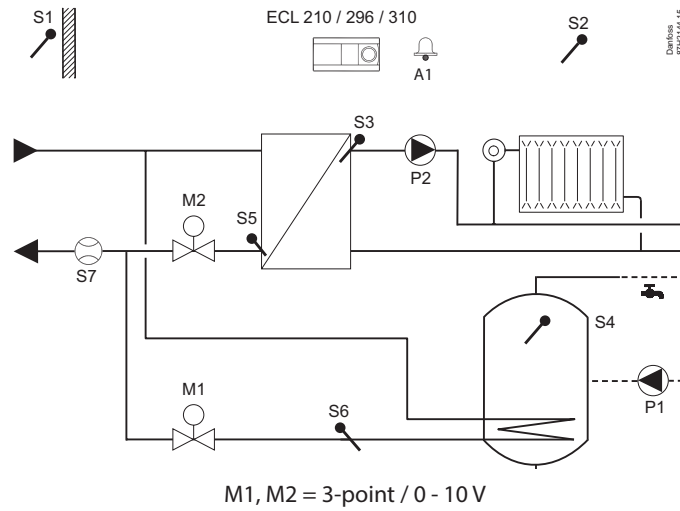


A266.1 (ex. a):

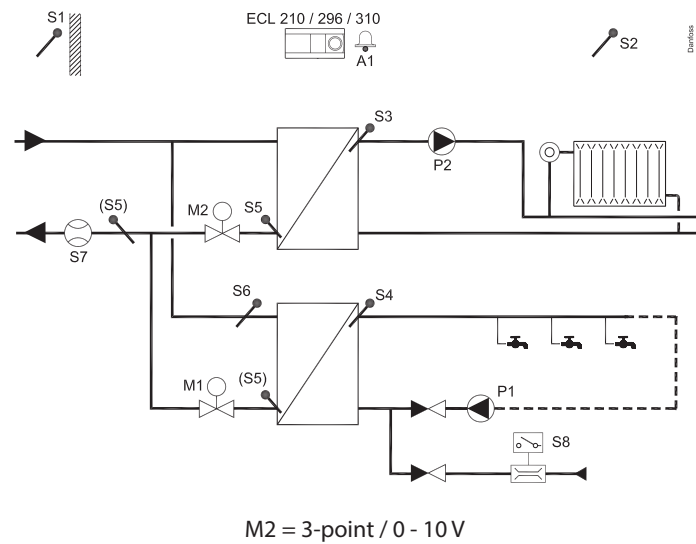


M1, M2 = 3-point / 0 - 10V

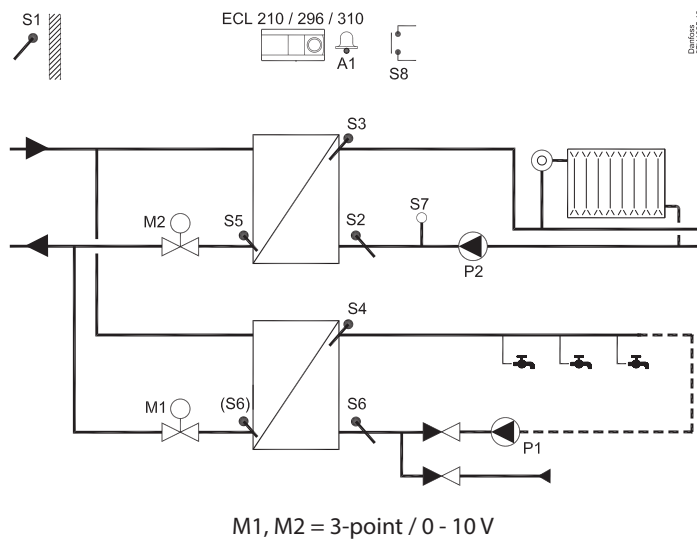
A266.1 (ex. c):



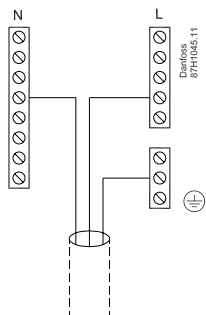
A266.2 (ex. a):



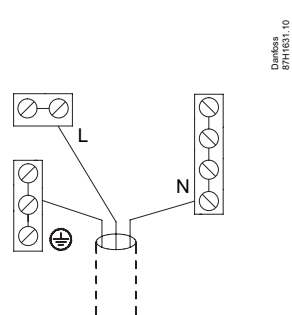
A266.9 (ex. a):



ECL Comfort 210 / 310



ECL Comfort 296



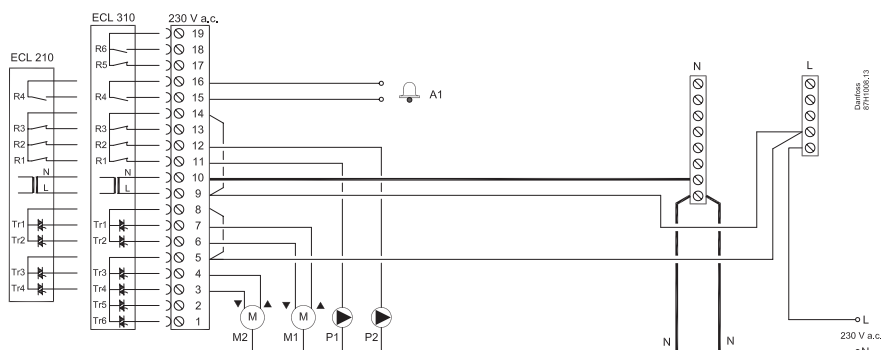
ECL Comfort 210 / 296 / 310
230 V a.c.

R		4 (2) A / 230 V a.c.
R		
Tr		0,2 A / 230 V a.c.

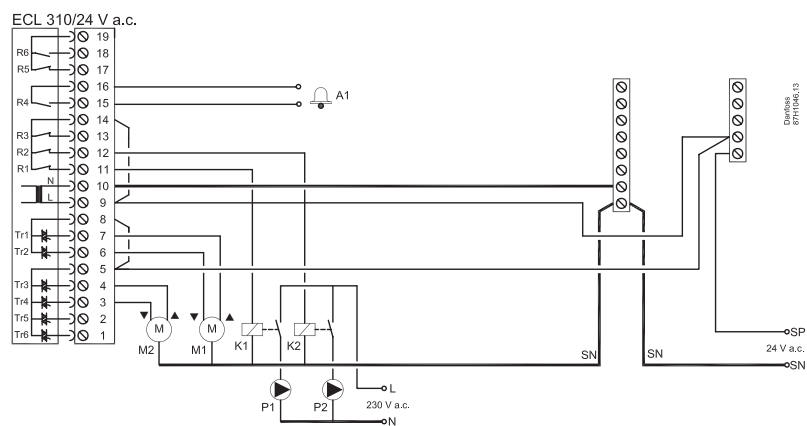
ECL Comfort 310
24 V a.c.

R		4 (2) A / 24 V a.c.
R		
Tr		1 A / 24 V a.c.

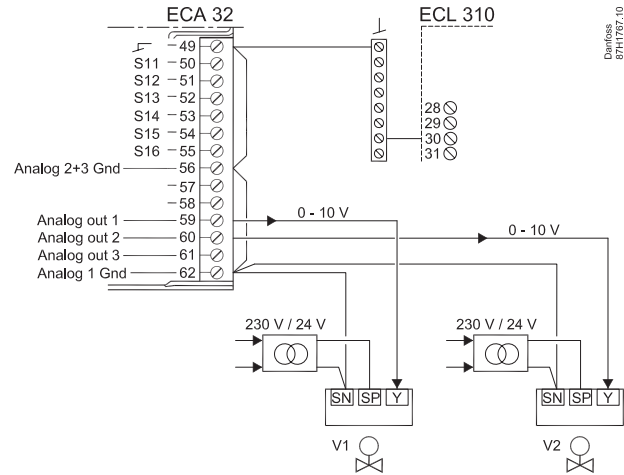
24 V a.c. (A266.1 / A266.2 / A266.9 / A266.10)



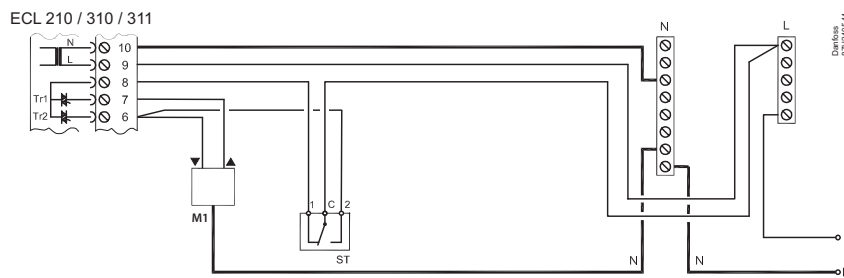
230 V a.c. (A266.1 / A266.2 / A266.9 / A266.10)



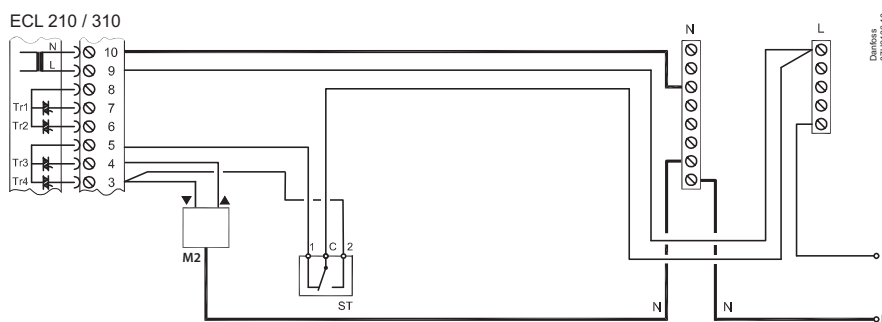
A266, ECL Comfort 310
ECA 32, V1, V2



230 V a.c. / 24 V a.c. , safety thermostat
1-step closing

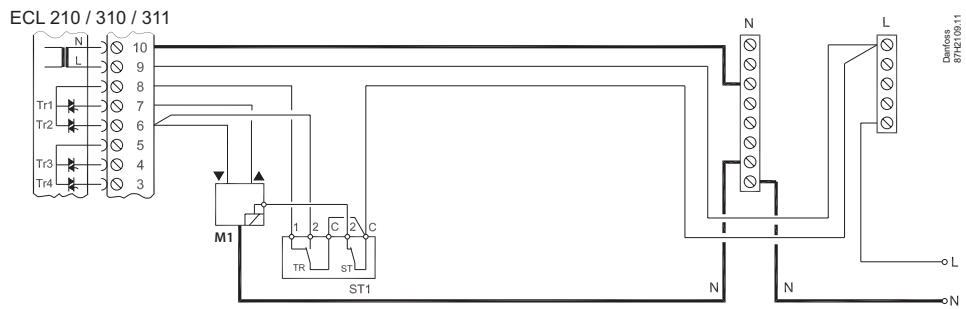


230 V a.c. / 24 V a.c. , safety thermostat
1-step closing

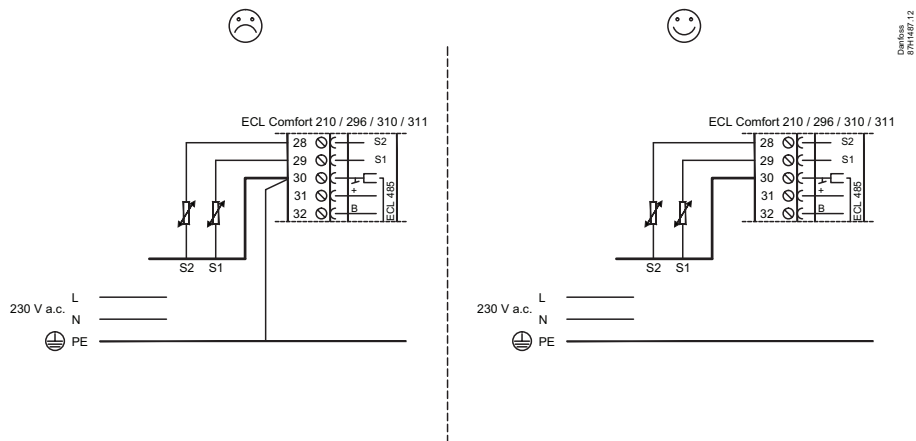


Installation Guide, ECL Comfort 210 / 296 / 310, A266

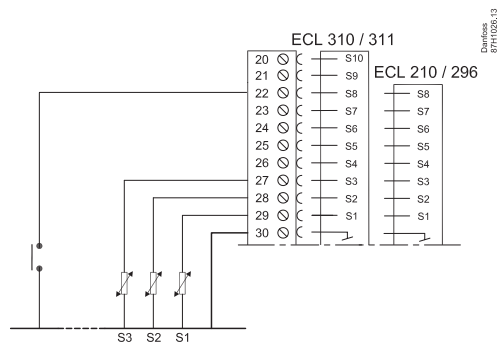
230 V a.c. / 24 V a.c. , safety thermostat 2-step closing



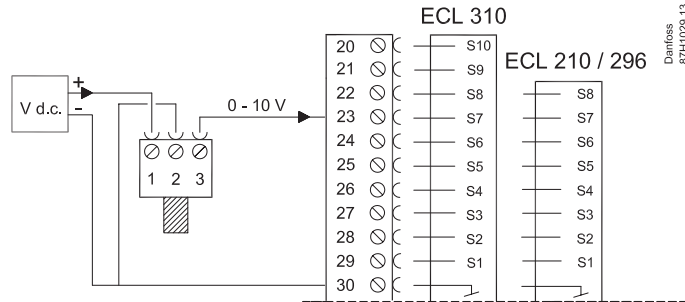
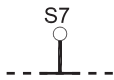
Pt 1000 (1000 Ω / 0 °C)



A266.2 / A266.9 / A266.10 S8

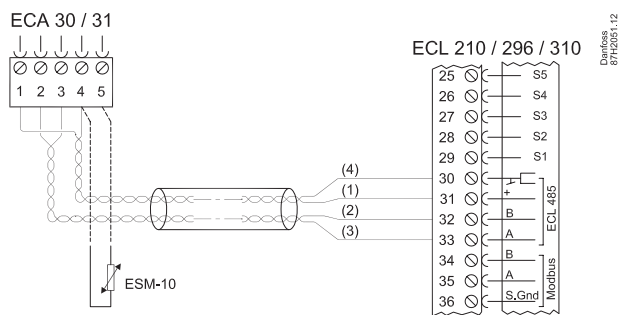


A266.9

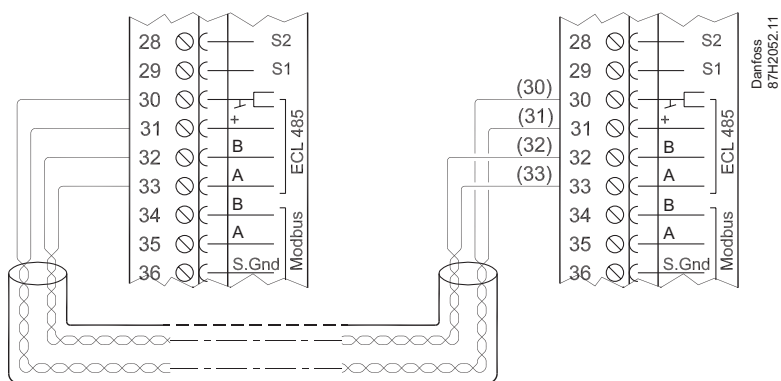


V d.c. = 12 - 24 V d.c.

ECA 30 / 31

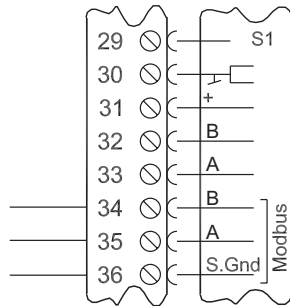


Master / slave



Modbus

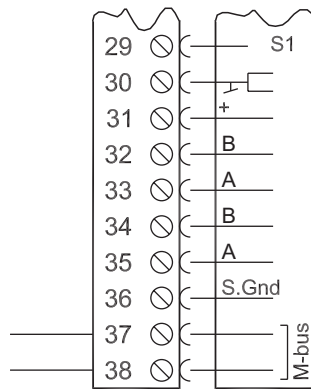
ECL 210 / 296 / 310 / 311



Danfoss
87H2060.12

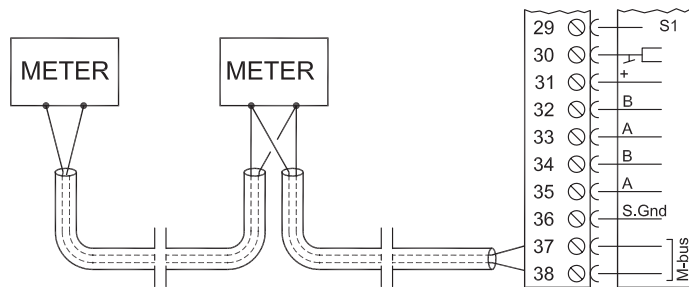
M-bus

ECL 296 / 310 / 311



Danfoss
87H2061.12

ECL 296 / 310 / 311



Danfoss
87H1306.12



- ? **ECL Comfort 210 / 296 / 310, A266: www.danfoss.com**
- ? **<https://www.youtube.com/user/DanfossHeating>
-> Playlists -> How-to Videos -> District Energy installation videos**



Danfoss A/S

Climate Solutions • danfoss.com • +45 7488 2222



Any information, including, but not limited to information on selection of product, its application or use, product design, weight, dimensions, capacity or any other technical data in product manuals, catalogues descriptions, advertisements, etc. and whether made available in writing, orally, electronically, online or via download, shall be considered informative, and is only binding if and to the extent, explicit reference is made in a quotation or order confirmation. Danfoss cannot accept any responsibility for possible errors in catalogues, brochures, videos and other material. Danfoss reserves the right to alter its products without notice. This also applies to products ordered but not delivered provided that such alterations can be made without changes to form, fit or function of the product.
All trademarks in this material are property of Danfoss A/S or Danfoss group companies. Danfoss and the Danfoss logo are trademarks of Danfoss A/S. All rights reserved.