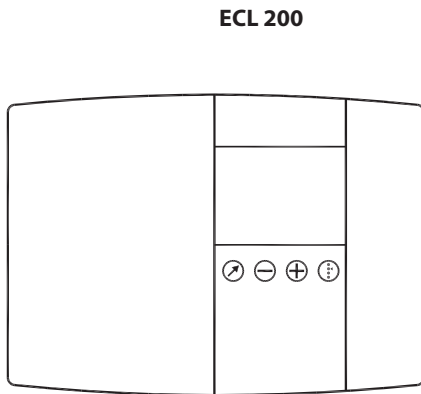
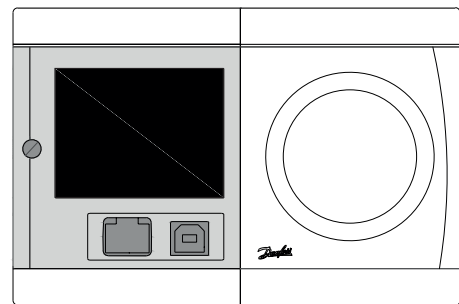


Installation Guide

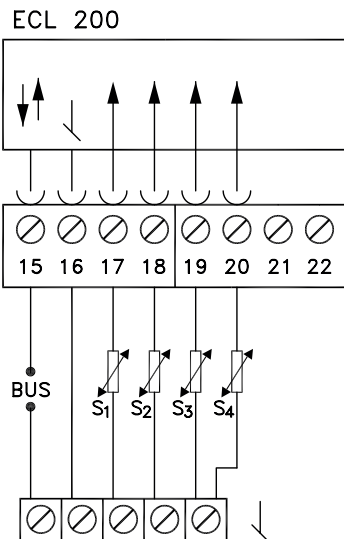
Replacement of ECL 200 / 300 / 301 with ECL 296 (code no. 087H3000)



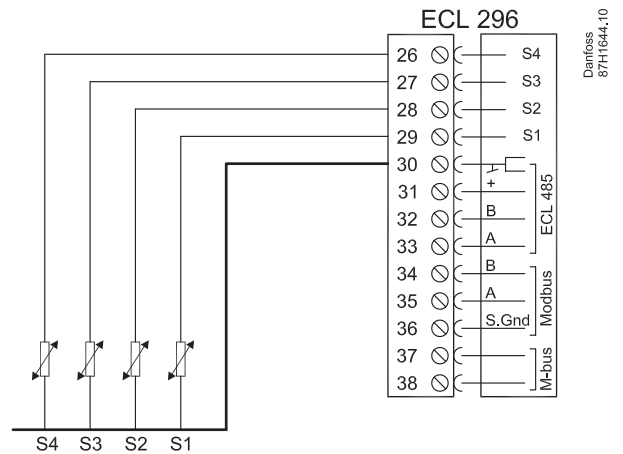
Danfoss
87H1603.10



Danfoss
87H1604.10



DANFOSS
87H1601.10



Danfoss
87H1604.10

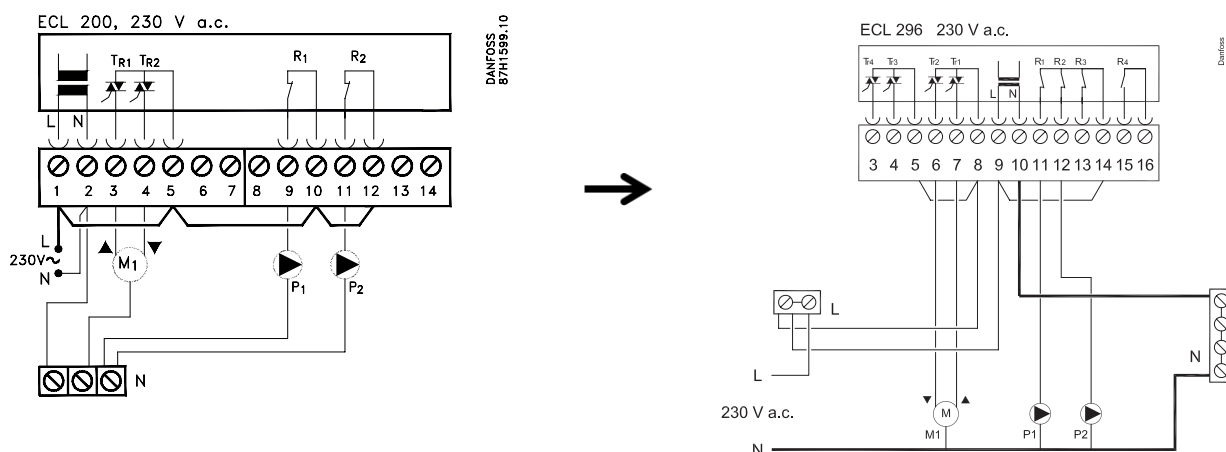
ECL 200	
S1	16-17
S2	16-18
S3	16-19
S4	16-20



ECL 296	
30-29	S1
30-28	S2
30-27	S3
30-26	S4

? <http://heating.danfoss.com>
 Documentation
 **A2xx
Installation
guide**

Installation Guide, Replacement of ECL 200 / 300 / 301 with ECL 296



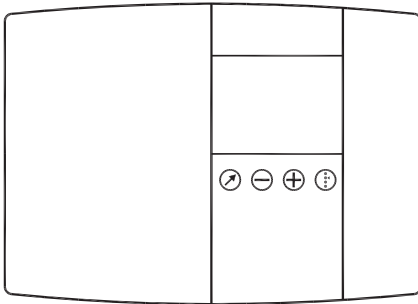
ECL 200	
L	1
N	2
M1 ▲	2 (N) - 3
M1 ▼	2 (N) - 4
P1	9-10
P2	11-12



ECL 296	
9	L
10	N
10 (N) - 7	M1 ▲
10 (N) - 6	M1 ▼
14-11	P1
14-12	P2

Installation Guide, Replacement of ECL 200 / 300 / 301 with ECL 296

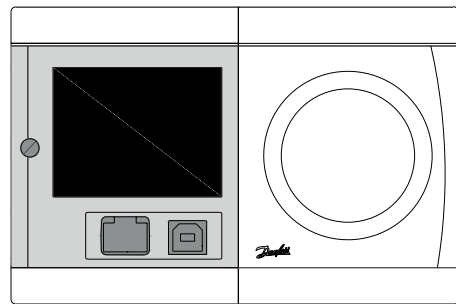
ECL 300 / 301



Danfoss
87H1603.10

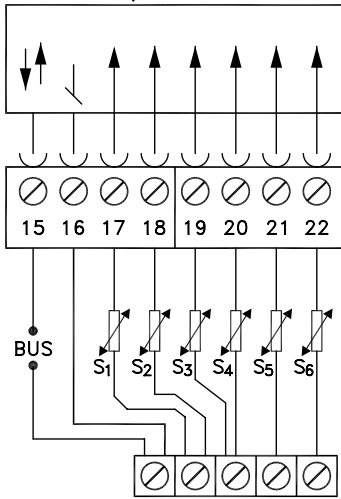


ECL 296



Danfoss
87H1604.10

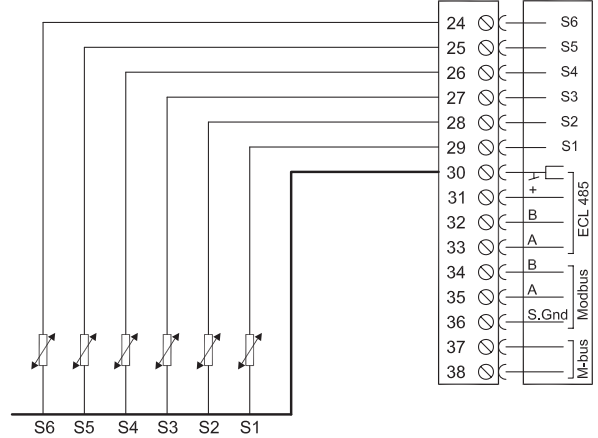
ECL 300 / 301



DANFOSS
87H1600.10



ECL 296



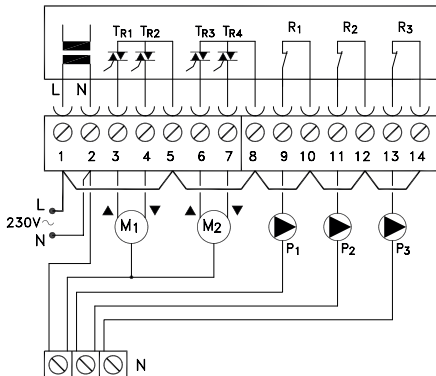
Danfoss
87H1646.10

ECL 300 / 301	
S1	16-17
S2	16-18
S3	16-19
S4	16-20
S5	16-21
S6	16-22



ECL 296	
30-29	S1
30-28	S2
30-27	S3
30-26	S4
30-25	S5
30-24	S6

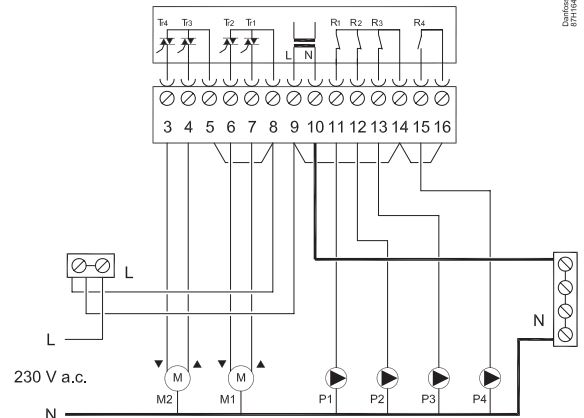
ECL 300, 230 V a.c.



DANFOSS
87H1597.10



ECL 296 230 V a.c.



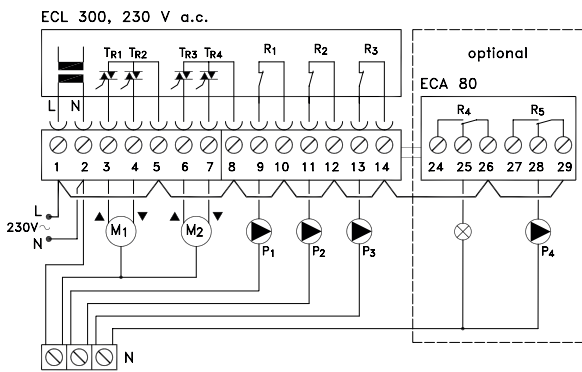
Danfoss
87H1647.10

Installation Guide, Replacement of ECL 200 / 300 / 301 with ECL 296

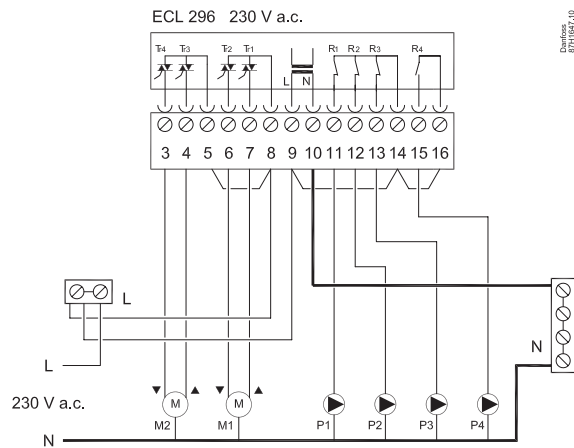
ECL 300 / 301	
L	1
N	2
M1 ▲	2 (N) - 3
M1 ▼	2 (N) - 4
M2 ▲	2 (N) - 6
M2 ▼	2 (N) - 7
P1	9-10
P2	11-12
P3	13-14
(P4)	(24-25-26)



ECL 296	
9	L
10	N
10 (N) - 7	M1 ▲
10 (N) - 6	M1 ▼
10 (N) - 4	M2 ▲
10 (N) - 3	M2 ▼
14-11	P1
14-12	P2
14-13	P3
16-15	P4



DANFOSS
87H159E.10



DANFOSS
87H159E.10

- ? **ECL Comfort 296: www.heating.danfoss.com**
- ? **<https://www.youtube.com/user/DanfossHeating>**
-> Playlists -> How-to Videos -> District Energy installation videos

