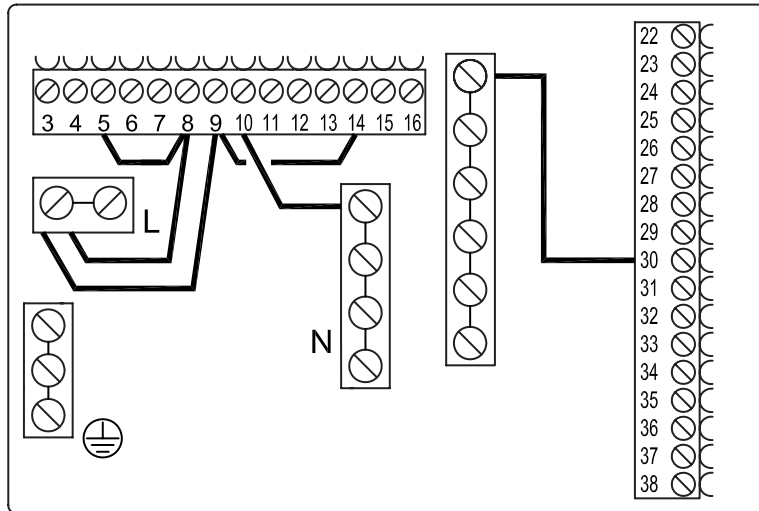


Installation Guide

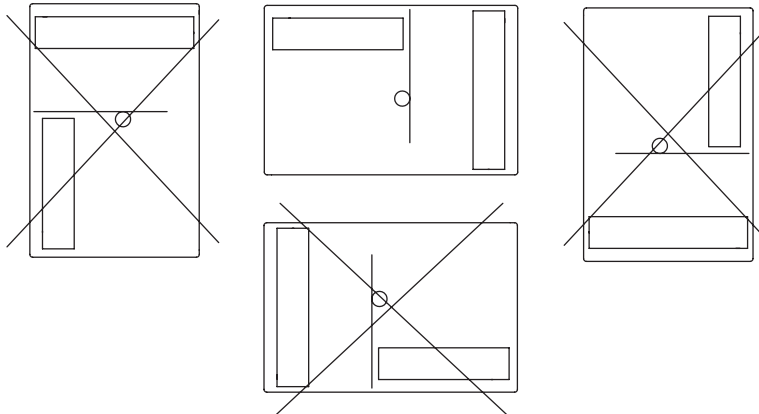
# ECL Comfort 296 Base Part

(code no. 087H3240, 230 V a.c.)

230 V a.c.

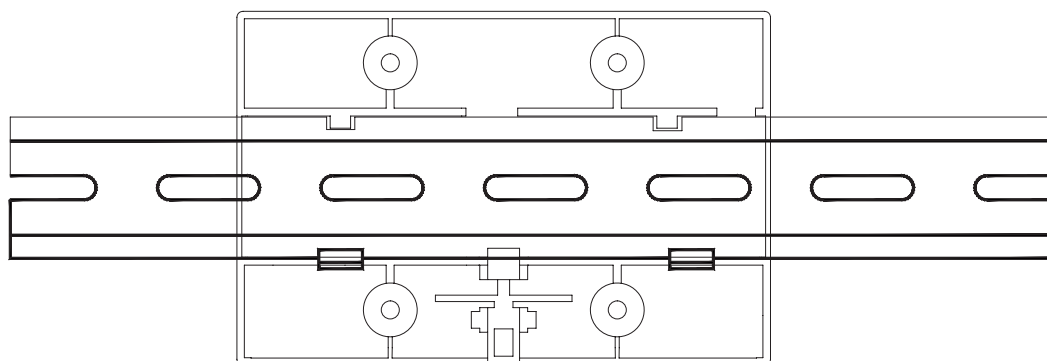
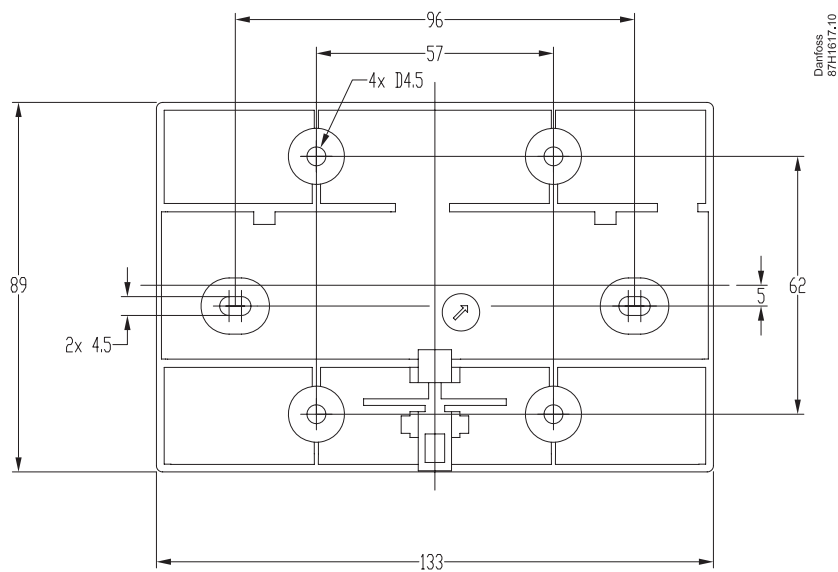
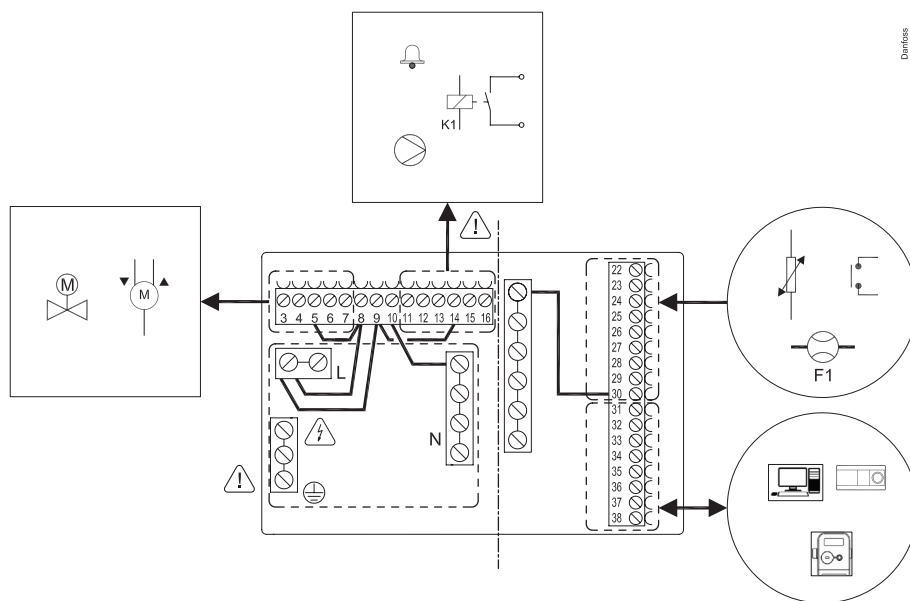


Danfoss  
87H1536.10



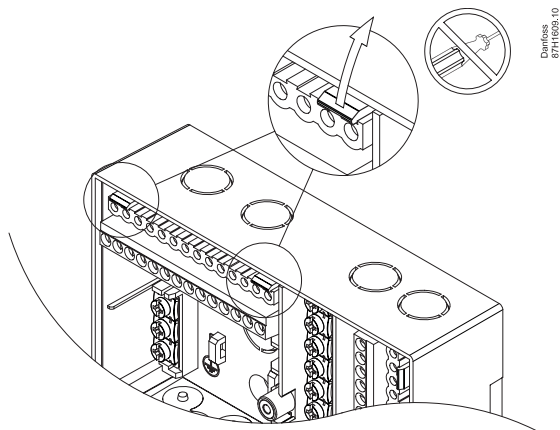
Danfoss  
87H1645.10

? <http://danfoss.com> **Documentation** **A2xx  
Installation  
guide**

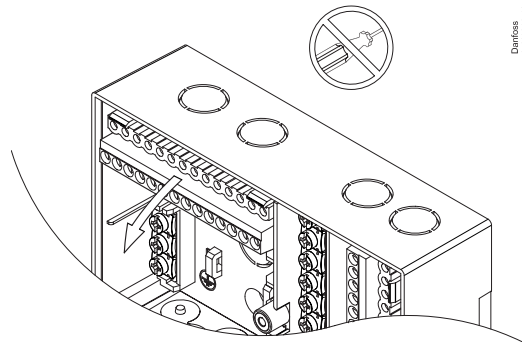


Installation Guide, ECL Comfort 296 Base Part

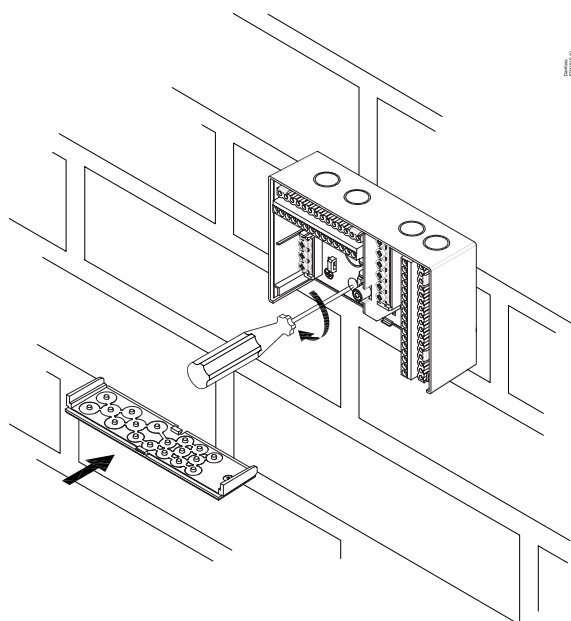
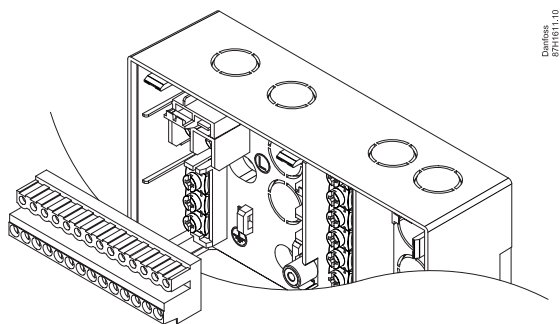
A:



B:

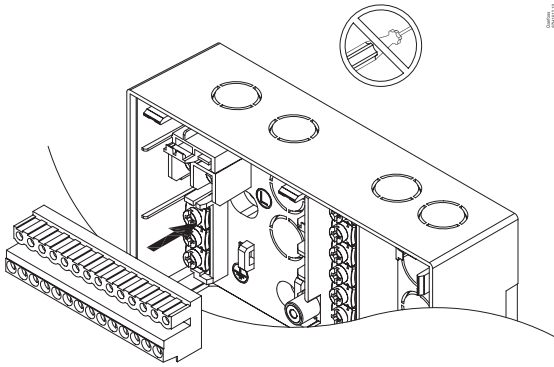


C:

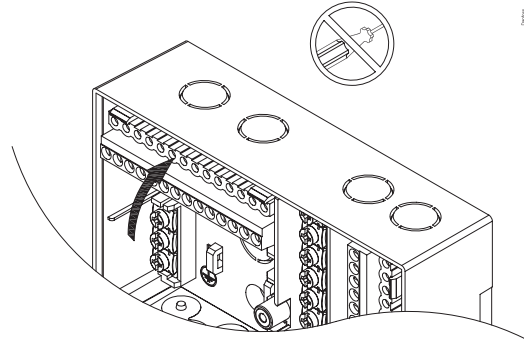


Installation Guide, ECL Comfort 296 Base Part

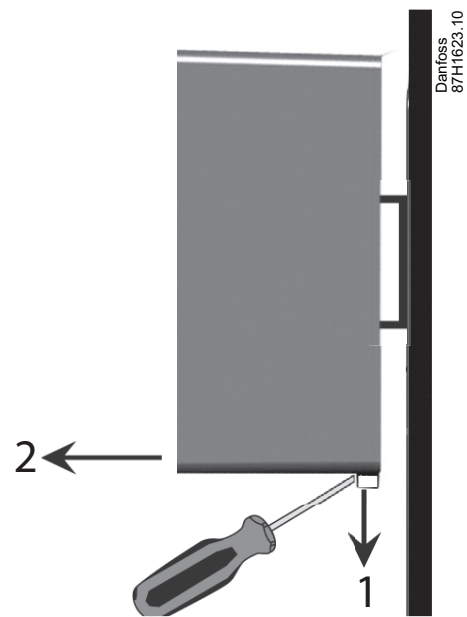
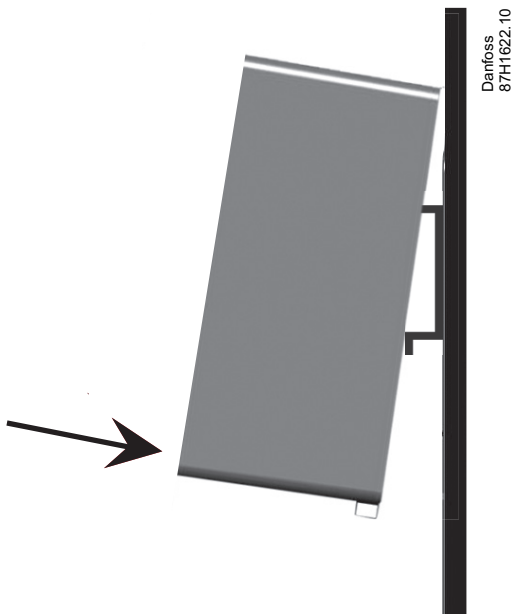
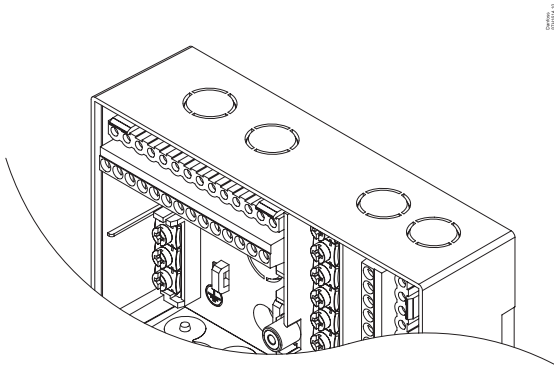
A:



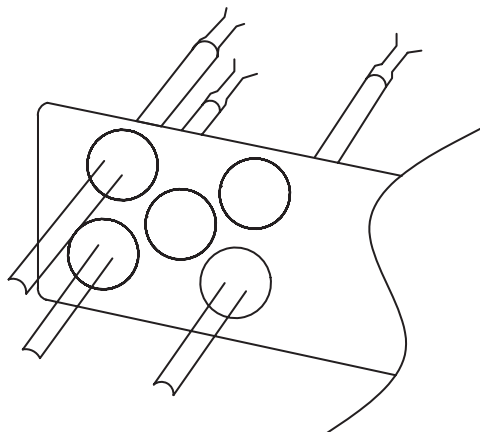
B:



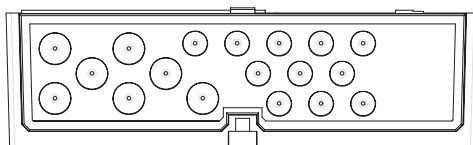
C:



Installation Guide, ECL Comfort 296 Base Part

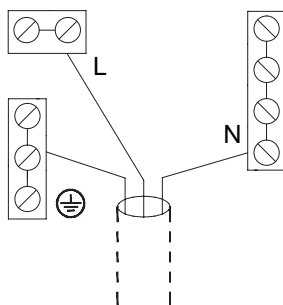


Danfoss  
87H1624.10

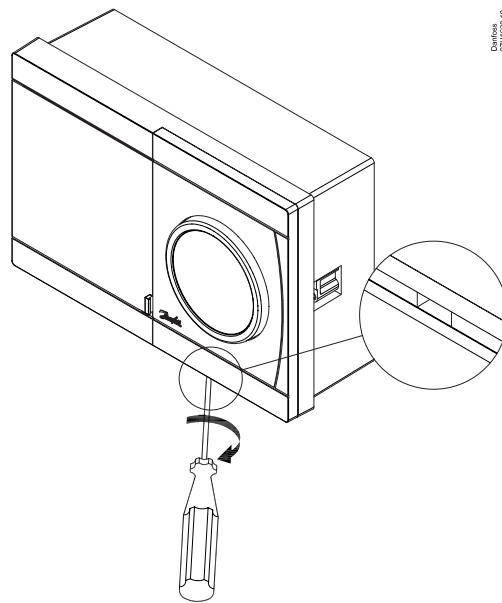
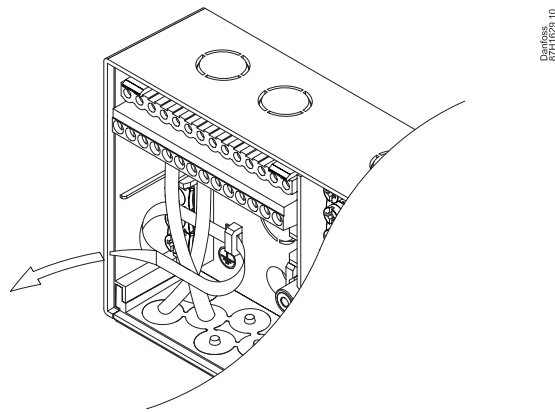


Danfoss  
87H1623.10

7 x  $\varnothing$  9 mm  
11 x  $\varnothing$  7 mm

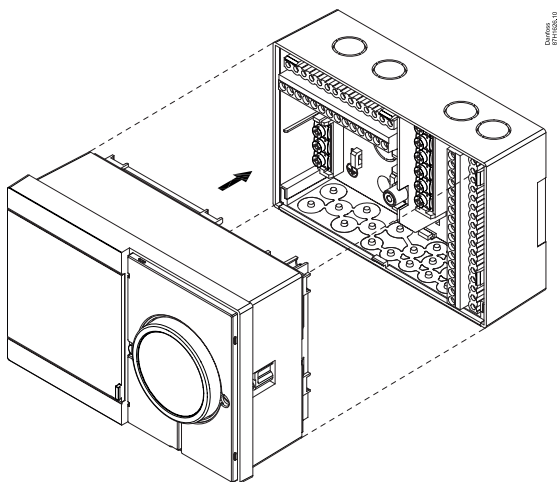


Danfoss  
87H1631.10

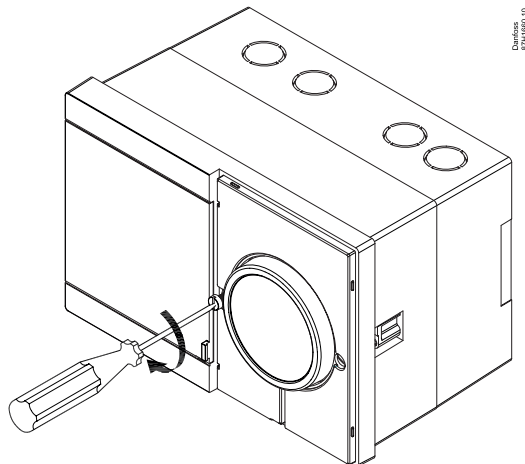


Installation Guide, ECL Comfort 296 Base Part

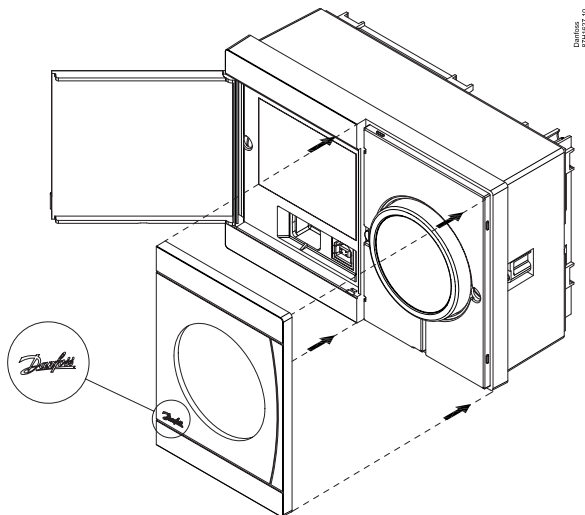
A:



B:



C:





Installation Guide, ECL Comfort 296 Base Part

---

- ? **ECL Comfort 296: [www.danfoss.com](http://www.danfoss.com)**
- ? **<https://www.youtube.com/user/DanfossHeating>  
-> Playlists -> How-to Videos -> District Energy installation videos**



---

**Danfoss A/S**  
Climate Solutions • [danfoss.com](http://danfoss.com) • +45 7488 2222



Any information, including, but not limited to information on selection of product, its application or use, product design, weight, dimensions, capacity or any other technical data in product manuals, catalogues descriptions, advertisements, etc. and whether made available in writing, orally, electronically, online or via download, shall be considered informative, and is only binding if and to the extent, explicit reference is made in a quotation or order confirmation. Danfoss cannot accept any responsibility for possible errors in catalogues, brochures, videos and other material. Danfoss reserves the right to alter its products without notice. This also applies to products ordered but not delivered provided that such alterations can be made without changes to form, fit or function of the product.  
All trademarks in this material are property of Danfoss A/S or Danfoss group companies. Danfoss and the Danfoss logo are trademarks of Danfoss A/S. All rights reserved.