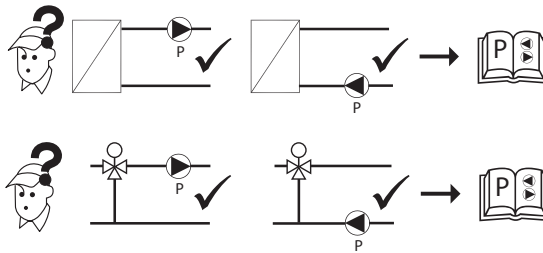
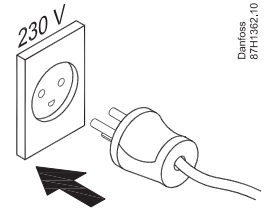
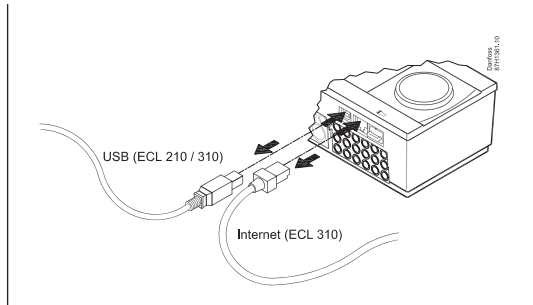
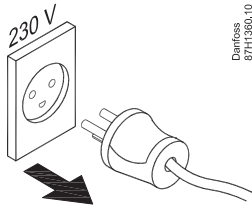
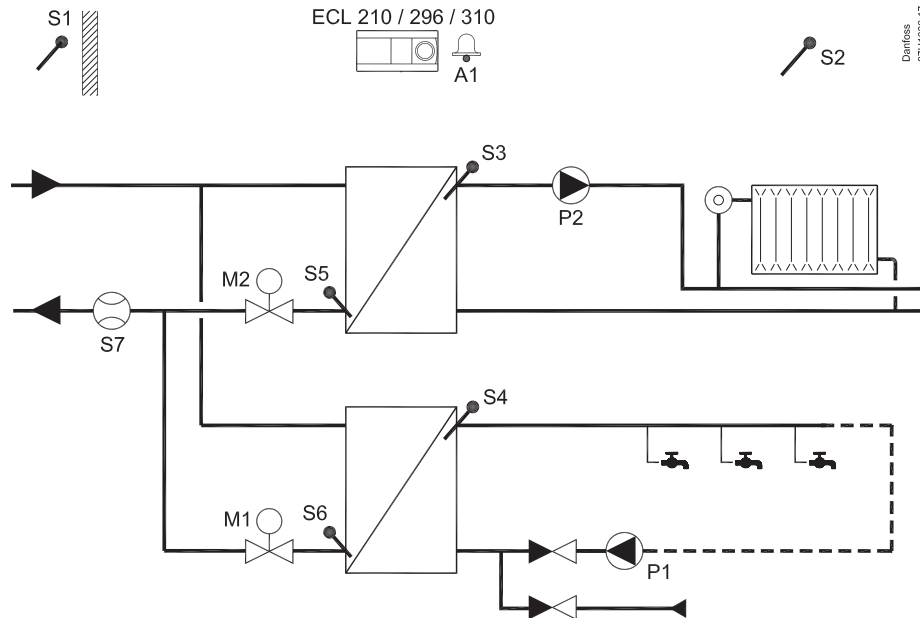


Installation Guide

# ECL Comfort 210 / 296 / 310, A266 (code no. 087H3800)

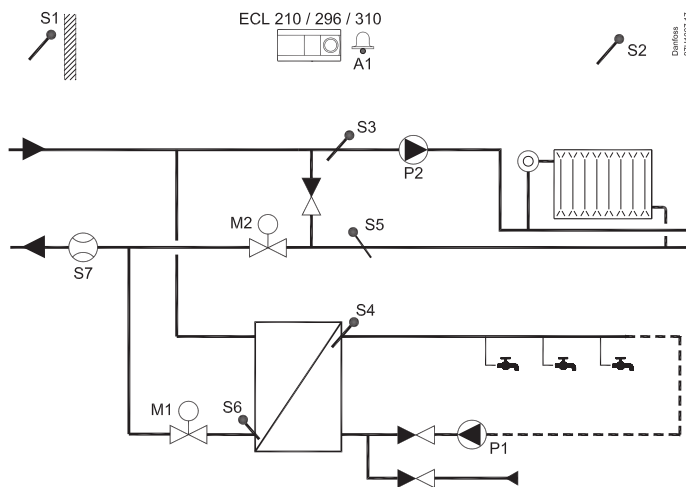


**A266.1 (ex. a):**



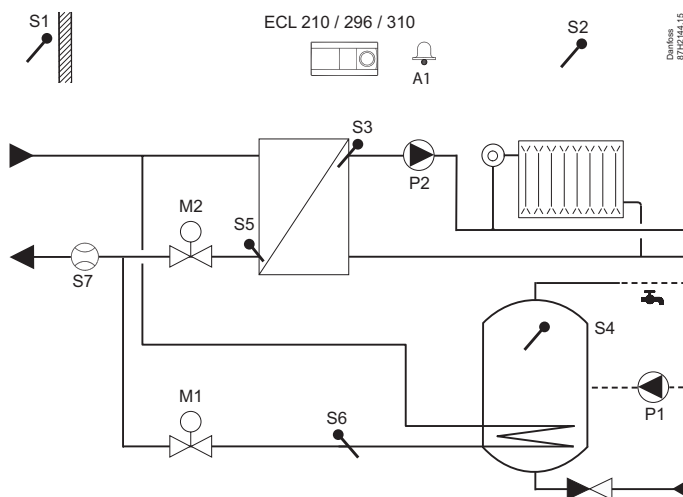
M1, M2 = 3-point / 0 - 10V

**A266.1 (ex. b):**



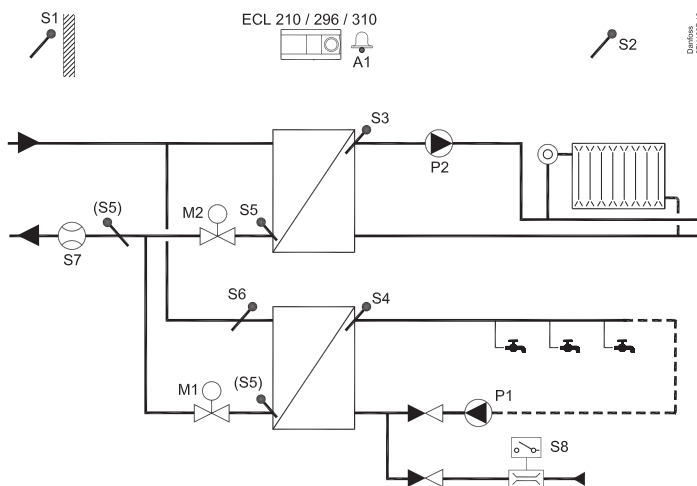
M1, M2 = 3-point / 0 - 10 V

**A266.1 (ex. c):**



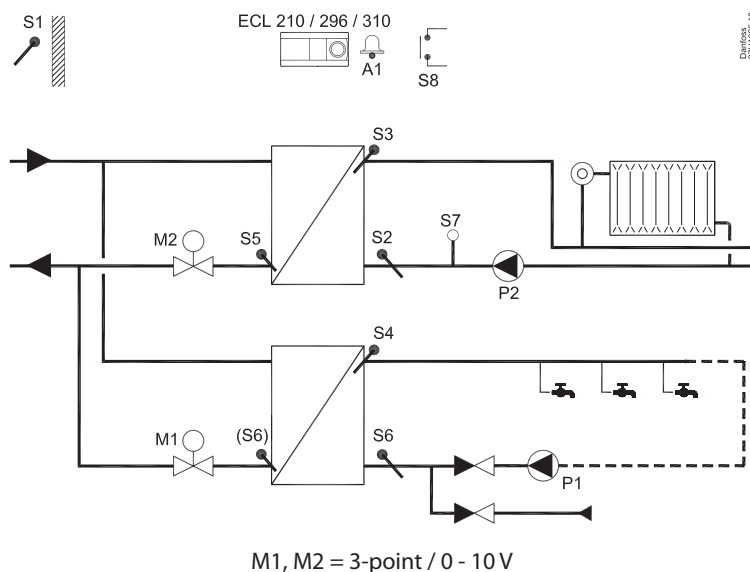
M1, M2 = 3-point / 0 - 10 V

**A266.2 (ex. a):**

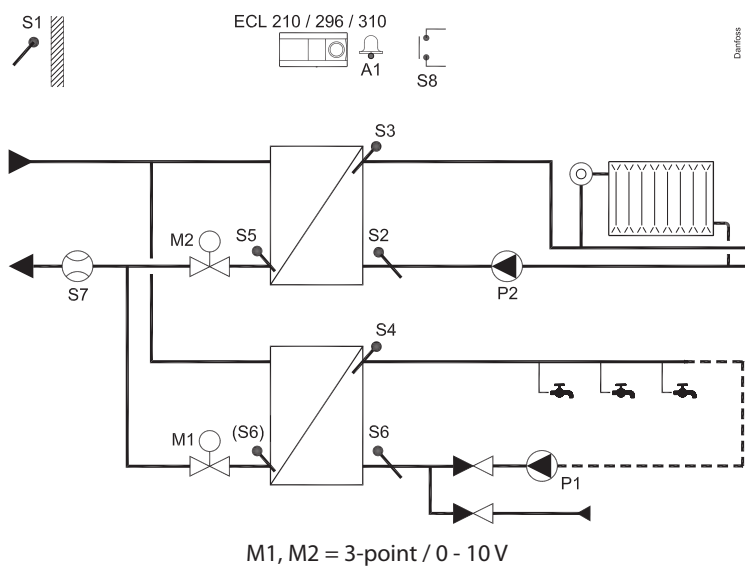


M2 = 3-point / 0 - 10 V

**A266.9 (ex. a):**



**A266.10 (ex. a):**



**A266, ECA 32**

	0 - 10 V:	
	M1	M2
<b>A266.1</b>	✓	✓
<b>A266.2</b>		✓
<b>A266.9</b>	✓	✓
<b>A266.10</b>	✓	✓

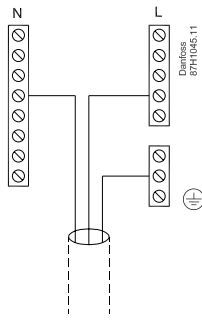
**ECL Comfort 210 / 296 / 310:**

230 V a.c.

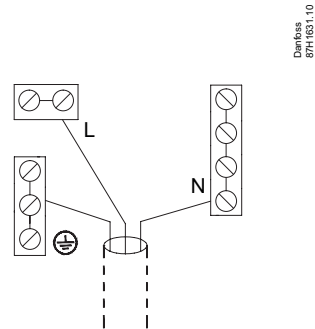
R	4 (2) A / 230 V a.c.
R	
Tr	0,2 A / 230 V a.c.

# Installation Guide, ECL Comfort 210 / 296 / 310, A266

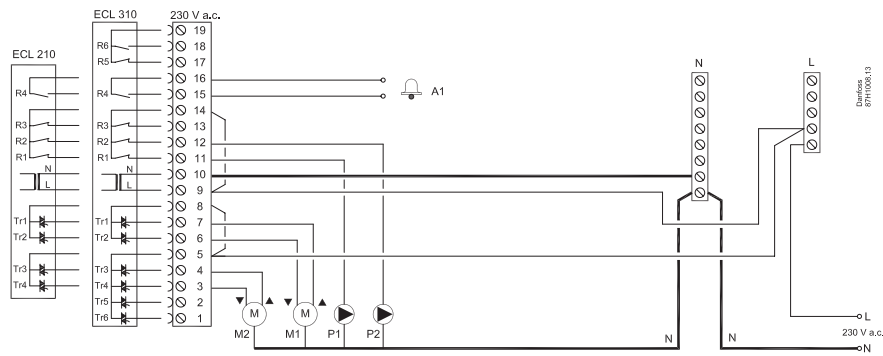
## ECL Comfort 210 / 310



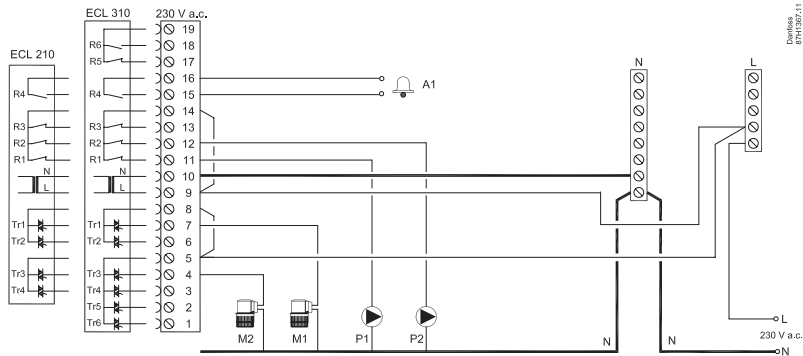
## ECL Comfort 296



## 230 V a.c. , A266.1 / A266.2 / A266.9 / A266.10

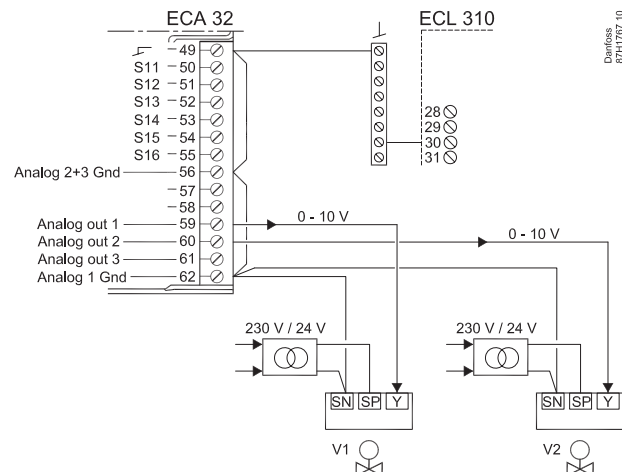


## 230 V a.c. , A266.1 / A266.2 / A266.9 / A266.10



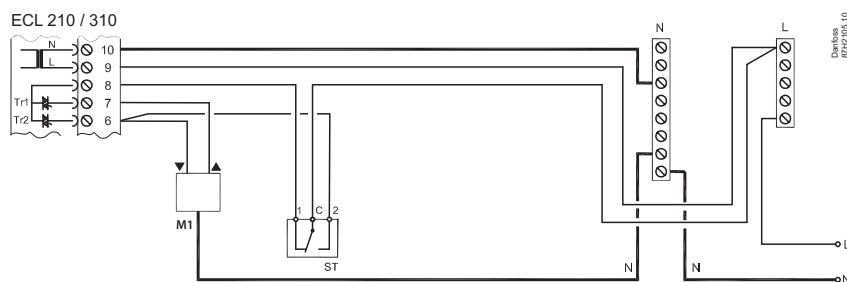
## A266, ECL Comfort 310

### ECA 32, V1, V2



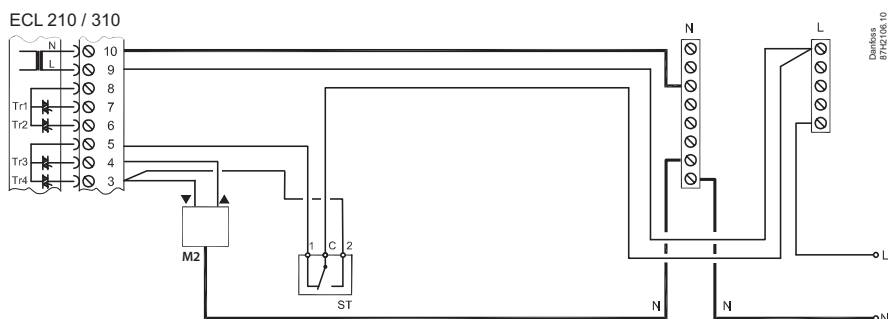
**230 V a.c. / 24 V a.c. , safety thermostat**

**1-step closing**



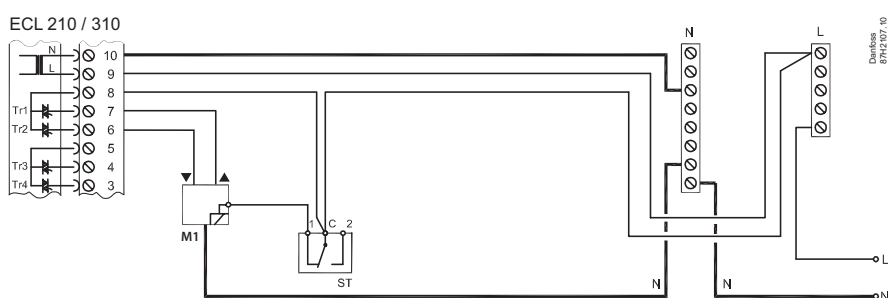
**230 V a.c. / 24 V a.c. , safety thermostat**

**1-step closing**



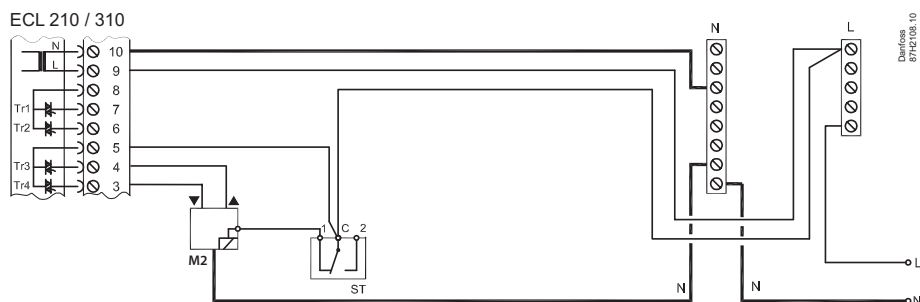
**230 V a.c. / 24 V a.c. , safety thermostat**

**1-step closing**



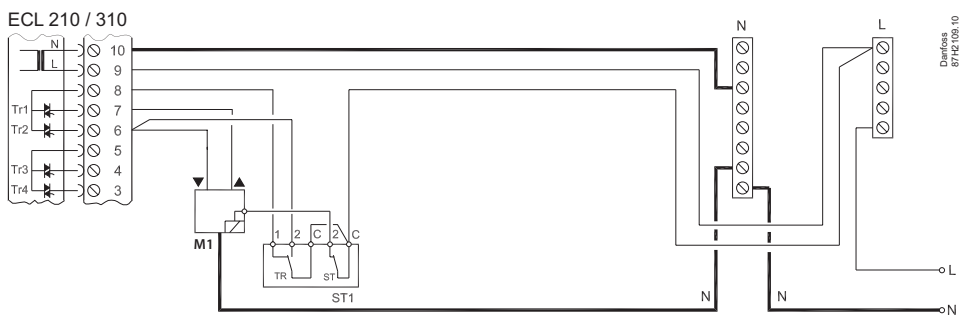
**230 V a.c. / 24 V a.c. , safety thermostat**

**1-step closing**



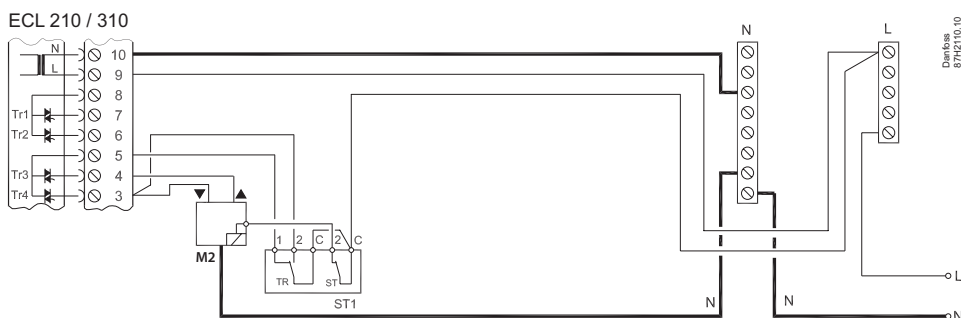
230 V a.c. / 24 V a.c. , safety thermostat

2-step closing



230 V a.c. / 24 V a.c. , safety thermostat

2-step closing

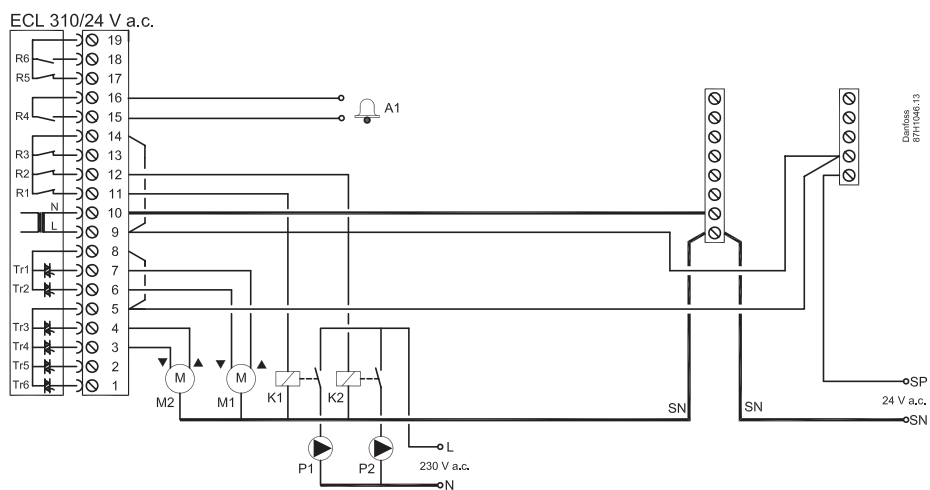


ECL Comfort 310:

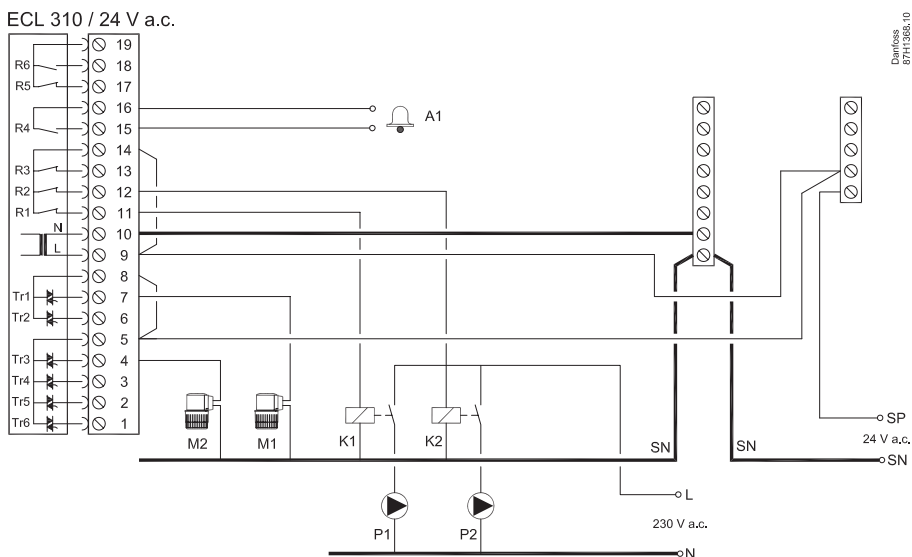
24 V a.c.

R		4 (2) A / 24 V a.c.
R		
Tr		1 A / 24 V a.c.

24 V a.c. (A266.1 / A266.2 / A266.9 / A266.10)

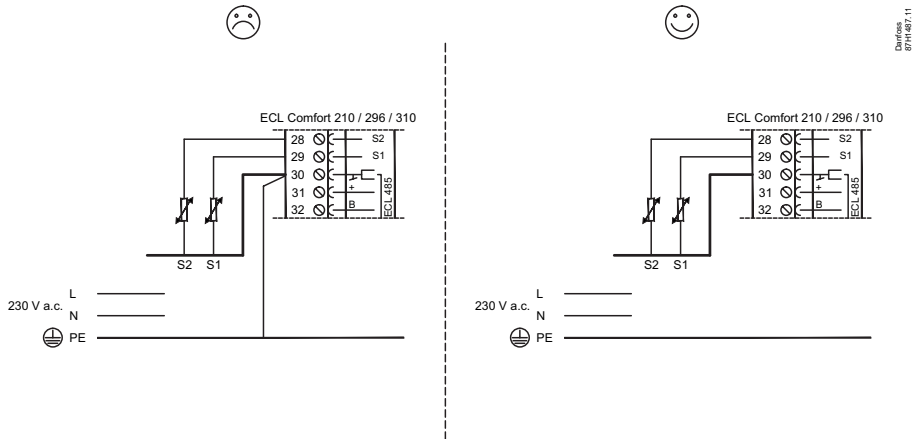


24 V a.c. (A266.1 / A266.2 / A266.9 / A266.10)



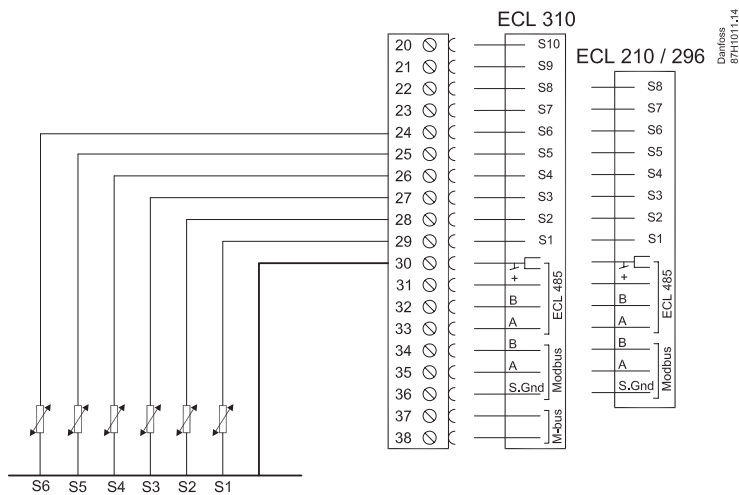
# Installation Guide, ECL Comfort 210 / 296 / 310, A266

**Pt 1000** (1000 Ω / 0 °C)



Danfoss  
87H1027.11

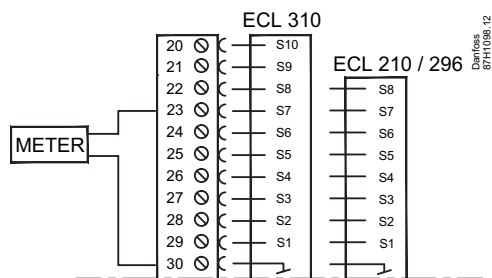
## A266.1 / A266.2 / A266.9 / A266.10



## A266.1 / A266.2 / A266.10



**S7**





A266.1 / A266.2 / A266.10

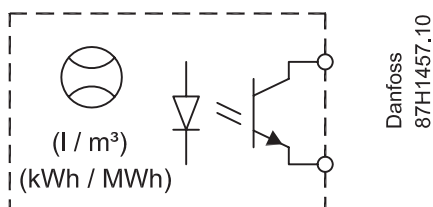


S7

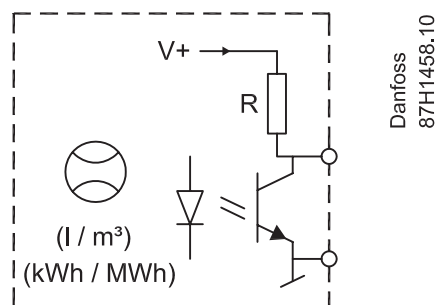


A / B ?

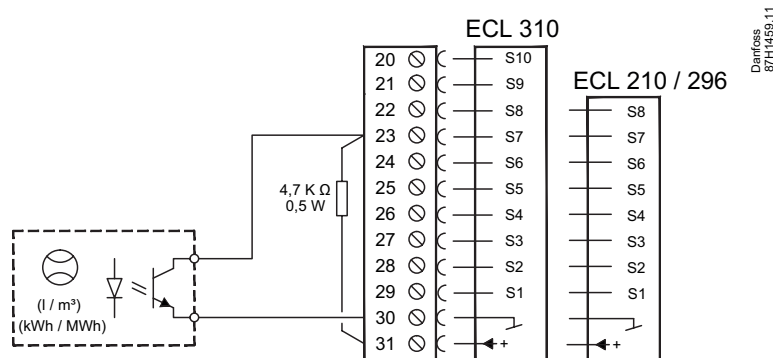
A:



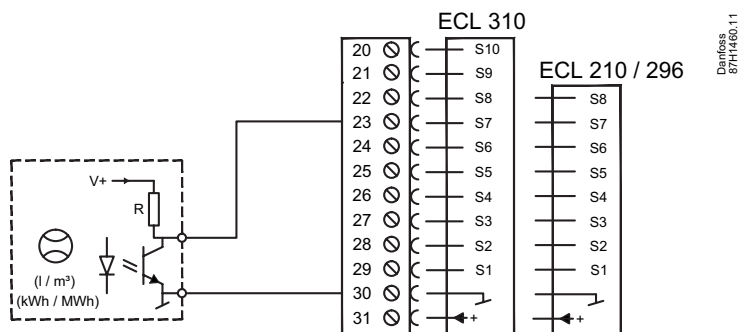
B:



A:

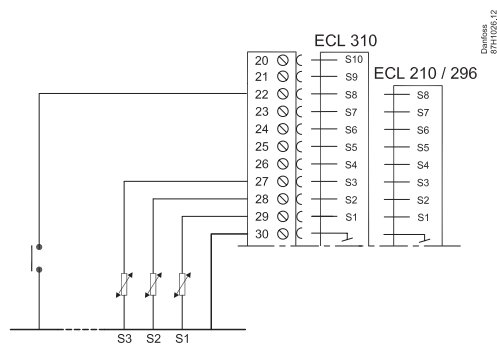


B:



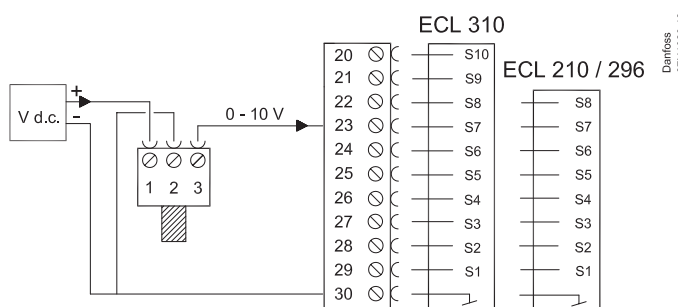
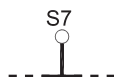
A266.2 / A266.9 / A266.10

S8



Danfoss  
87H1026.12

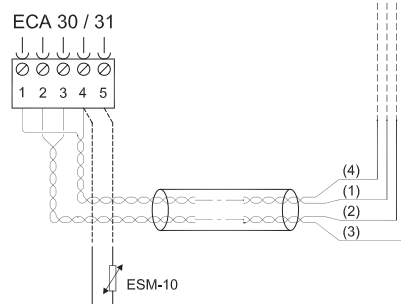
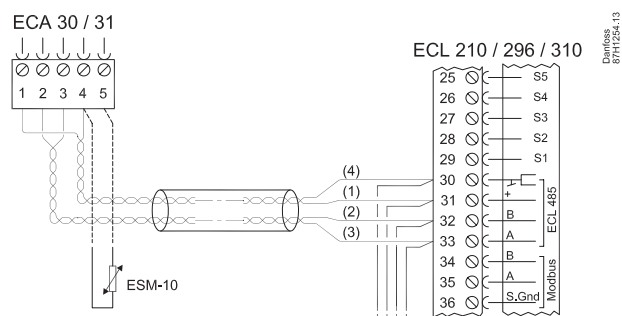
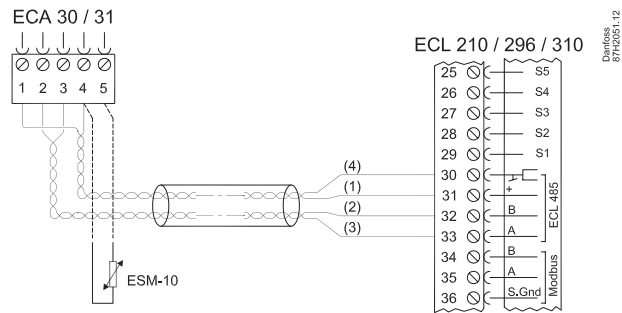
A266.9



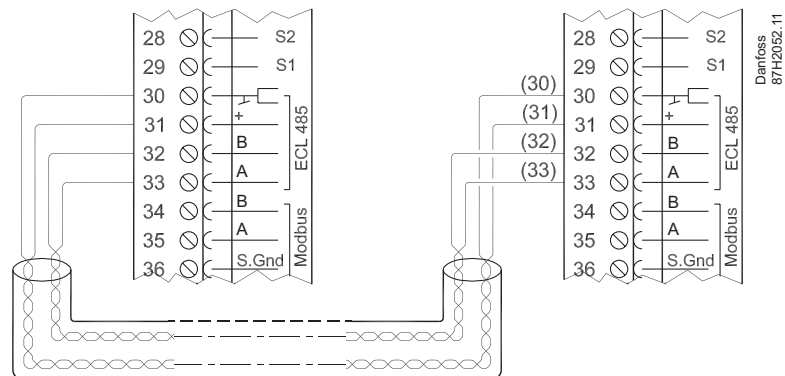
Danfoss  
87H1023.13

**V d.c. = 12 - 24 V d.c.**

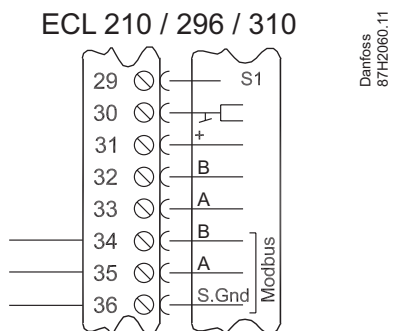
ECA 30 / 31



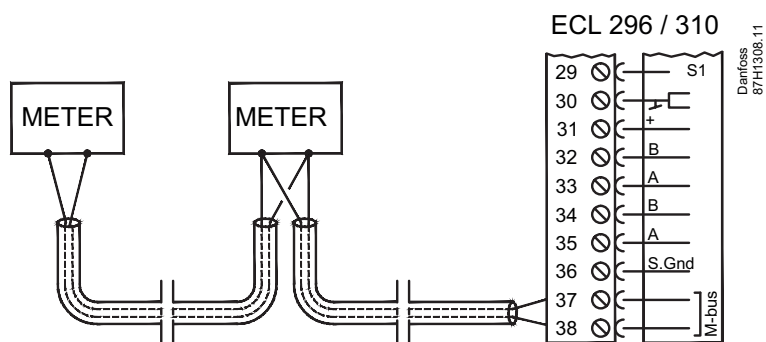
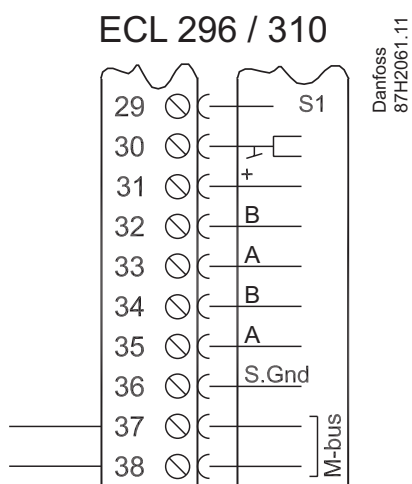
Master / slave



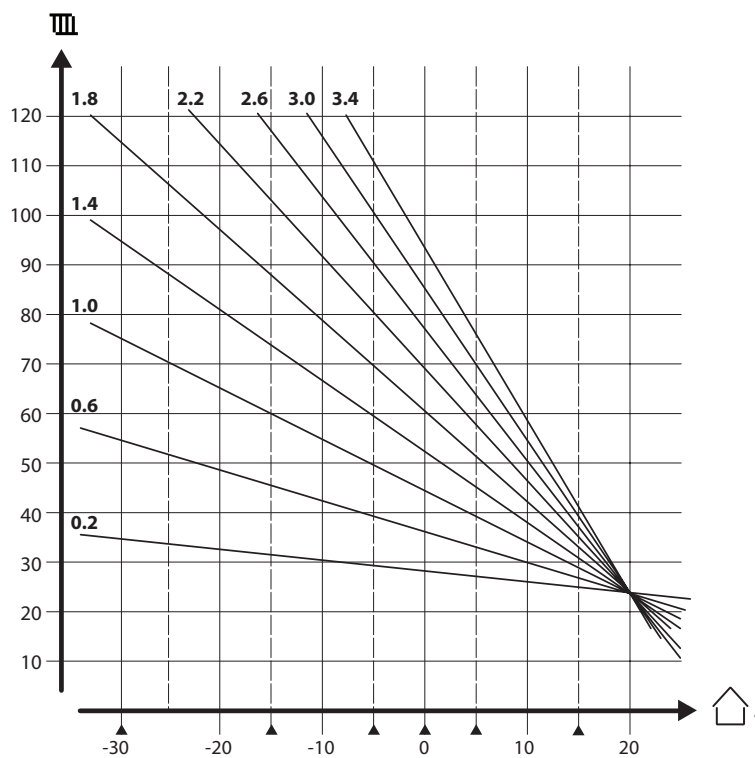
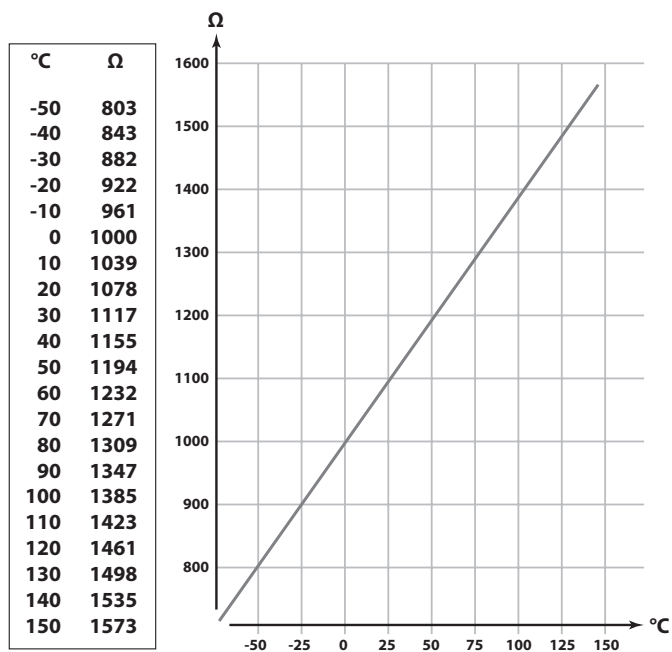
**Modbus**



**M-bus**

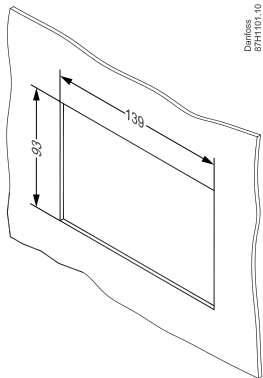


Pt 1000 (IEC 751B, 1000 Ω / 0 °C)



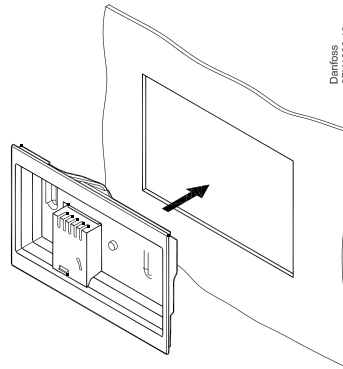
ECA 30

1



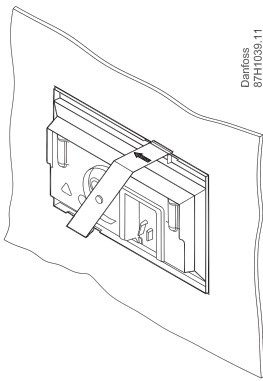
Danfoss  
87H101.10

2



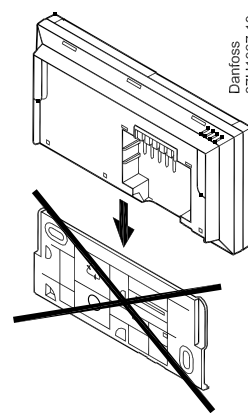
Danfoss  
87H1038.10

3



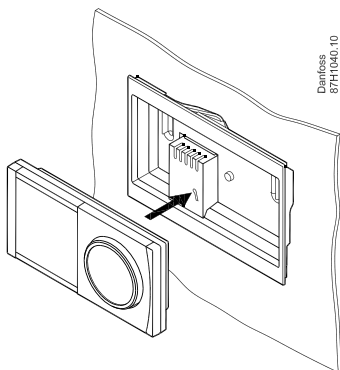
Danfoss  
87H1039.11

4



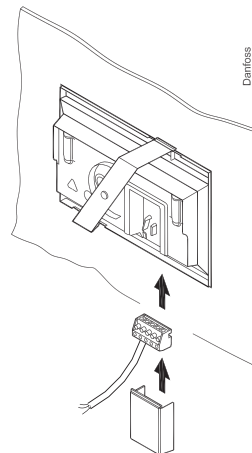
Danfoss  
87H1037.10

5



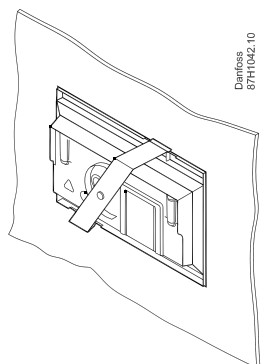
Danfoss  
87H1040.10

6



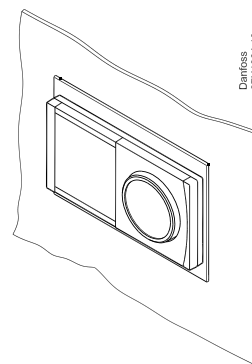
Danfoss  
87H1041.11

7



Danfoss  
87H1042.10

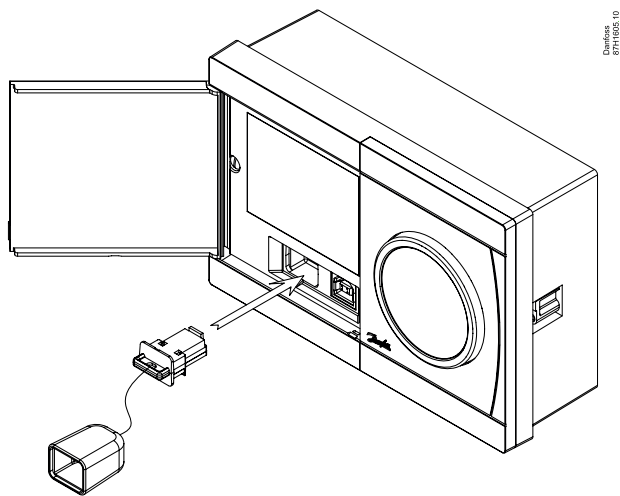
8



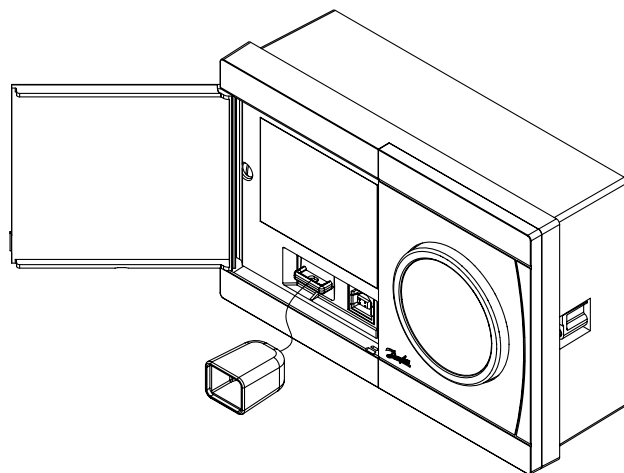
Danfoss  
87H1064.10

ECL Comfort 296

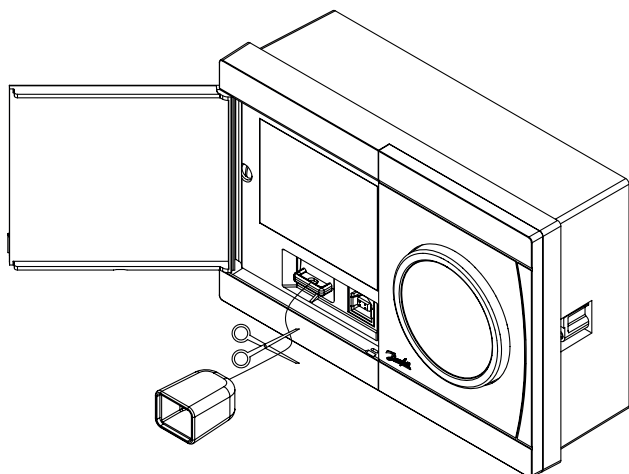
A:



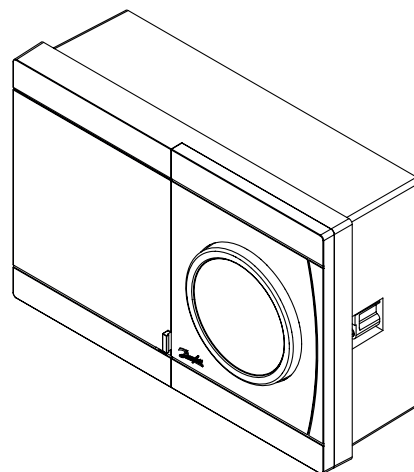
B:



C:

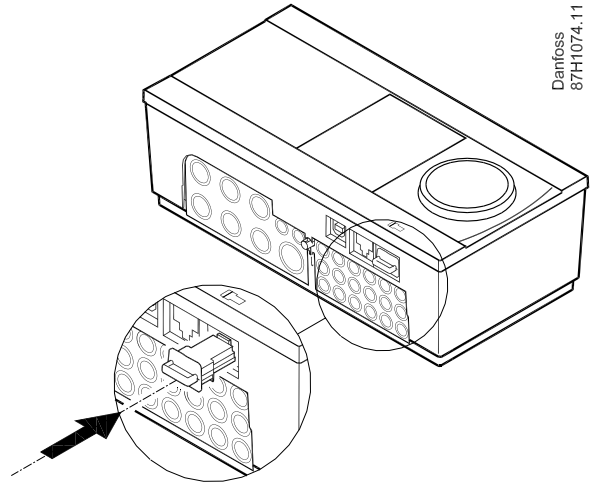
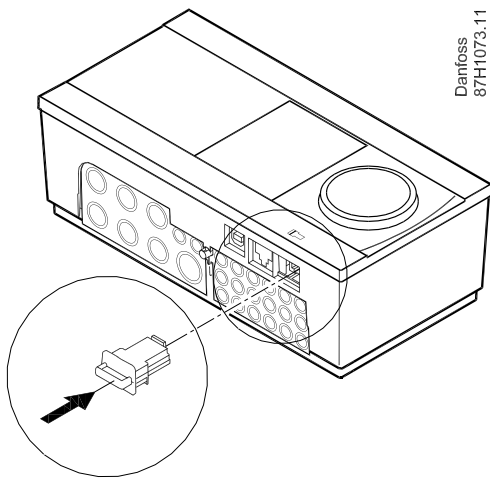
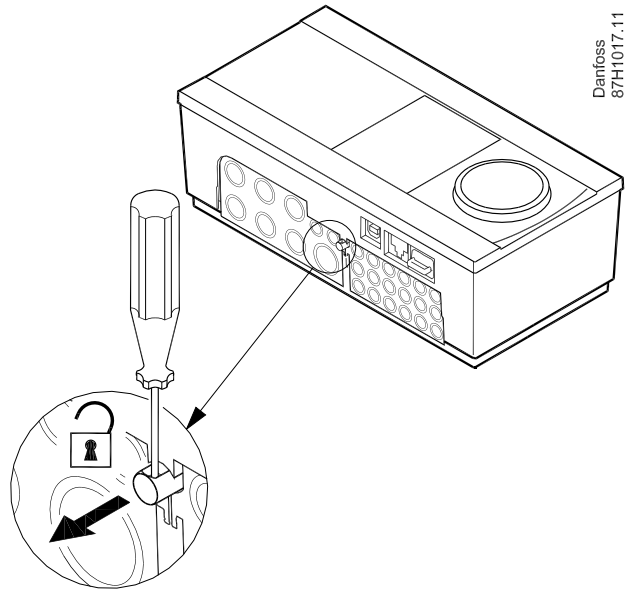


D:



Installation Guide, ECL Comfort 210 / 296 / 310, A266

ECL Comfort 210 / 310



? **ECL Comfort 210 / 296 / 310, A266: [www.heating.danfoss.com](http://www.heating.danfoss.com)**

? **<https://www.youtube.com/user/DanfossHeating>  
-> Playlists -> How-to Videos -> District Energy installation videos**



**Danfoss A/S**  
Heating Segment • danfoss.com • +45 7488 2222 • E-Mail: heating@danfoss.com

Danfoss can accept no responsibility for possible errors in catalogues, brochures and other printed material. Danfoss reserves the right to alter its products without notice. This also applies to products already on order provided that such alterations can be made without consequential changes being necessary in specifications already agreed. All trademarks in this material are property of the respective companies. Danfoss and all Danfoss logotypes are trademarks of Danfoss A/S. All rights reserved.