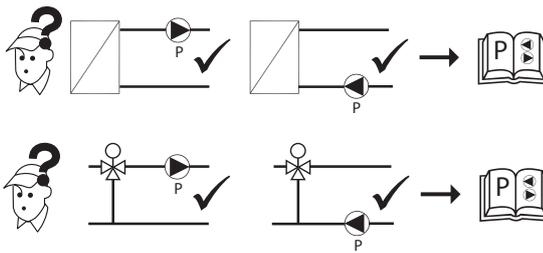
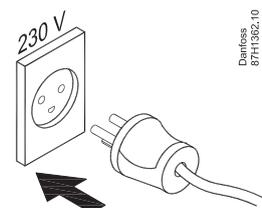
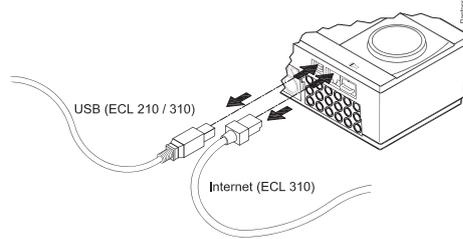
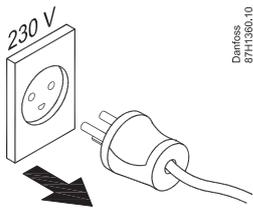
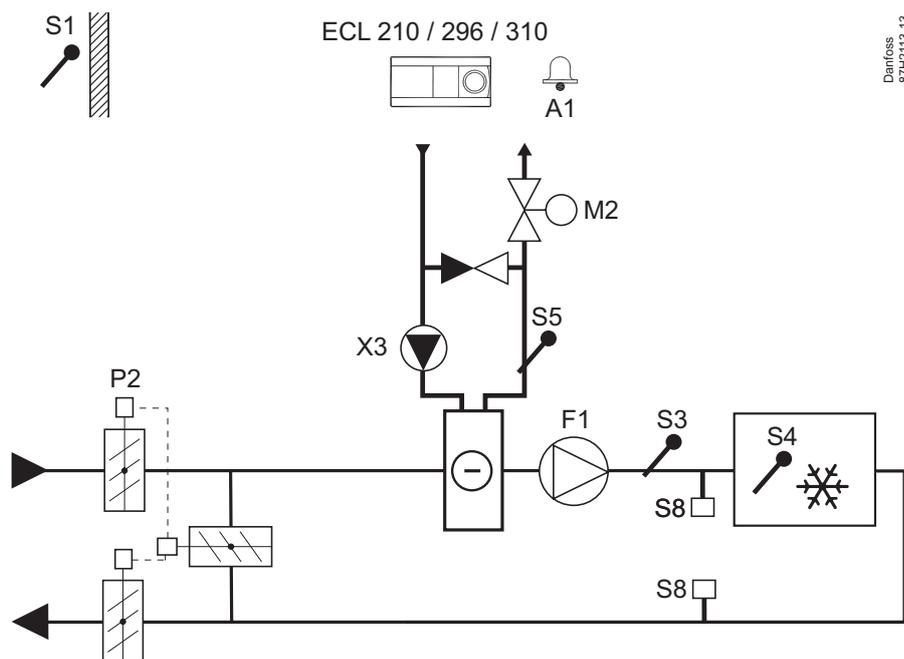


Installation Guide

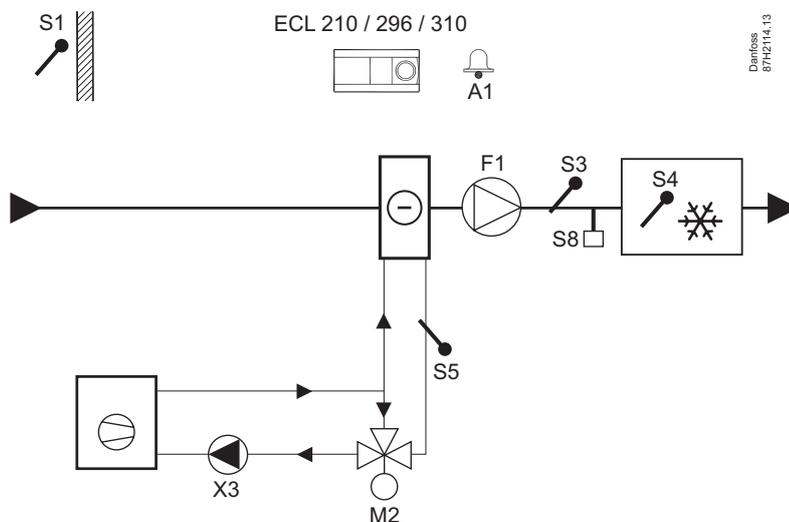
ECL Comfort 210 / 296 / 310, A214 / A314 (code no. 087H3811)



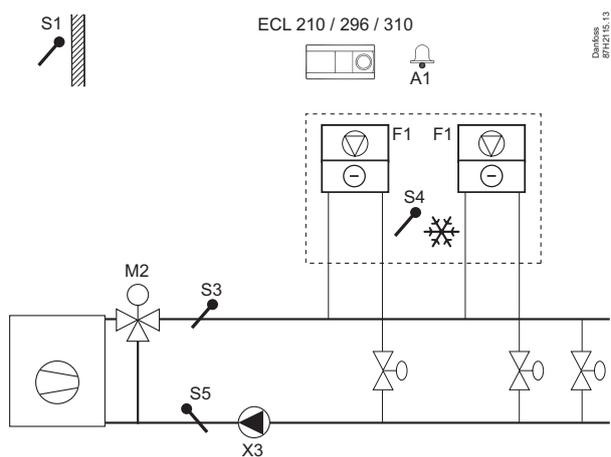
A214.1, ex. a:



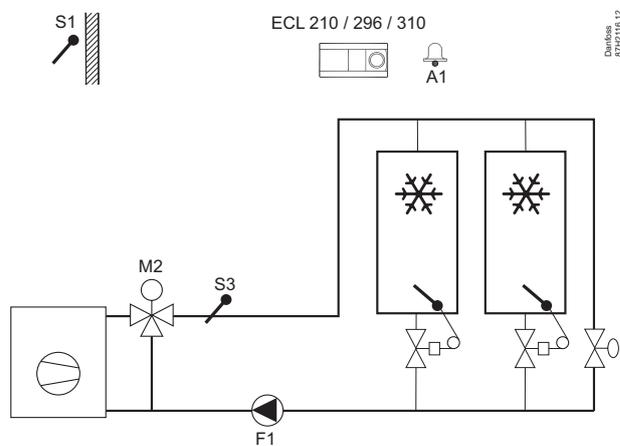
A214.1 (ex. b):



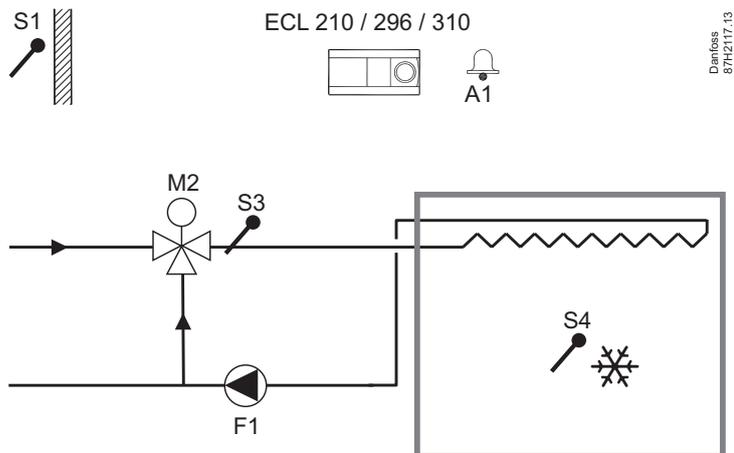
A214.1 (ex. c):



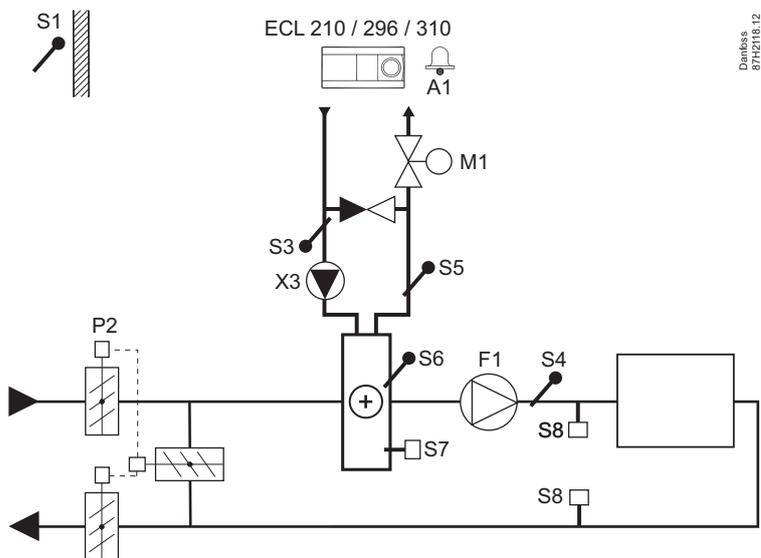
A214.1 (ex. d):



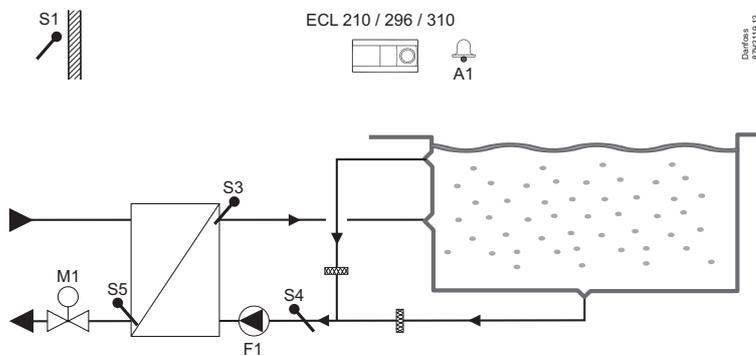
214.1 (ex. e):



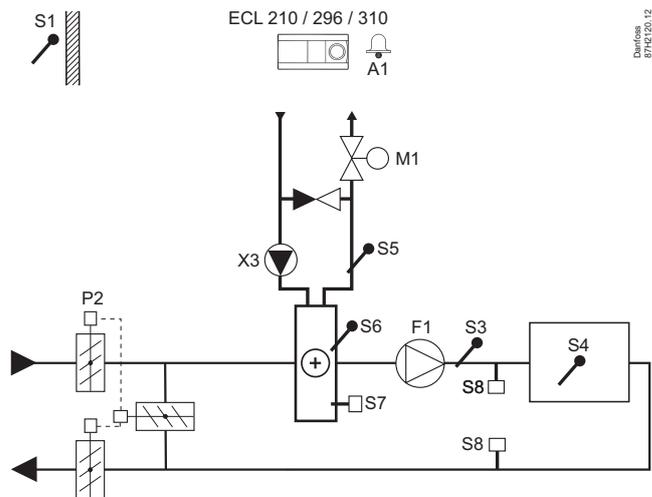
A214.2 (ex. a):



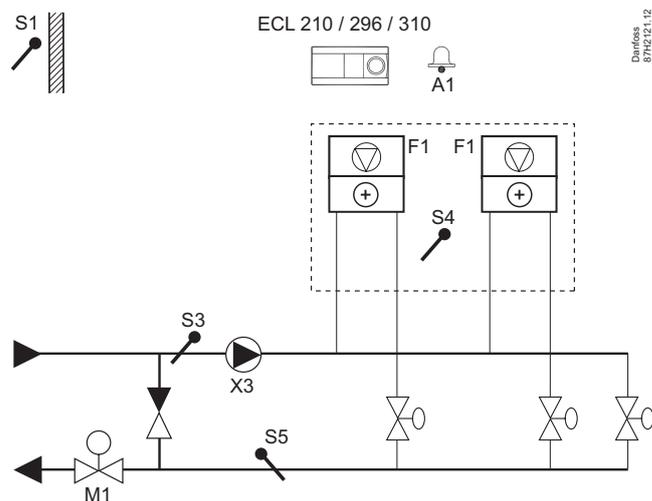
A214.2 (ex. b):



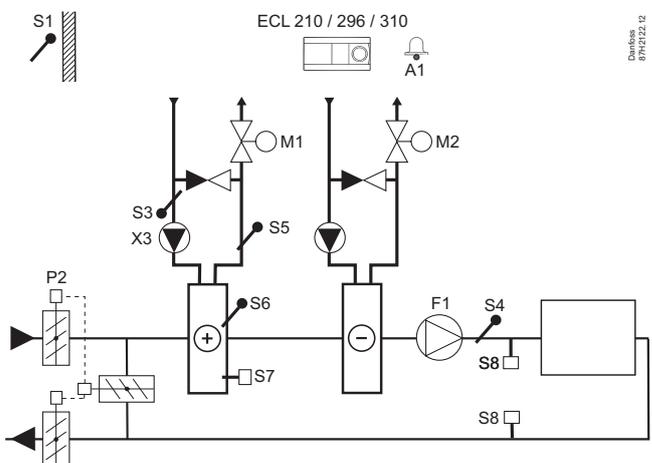
A214.3 (ex. a:)



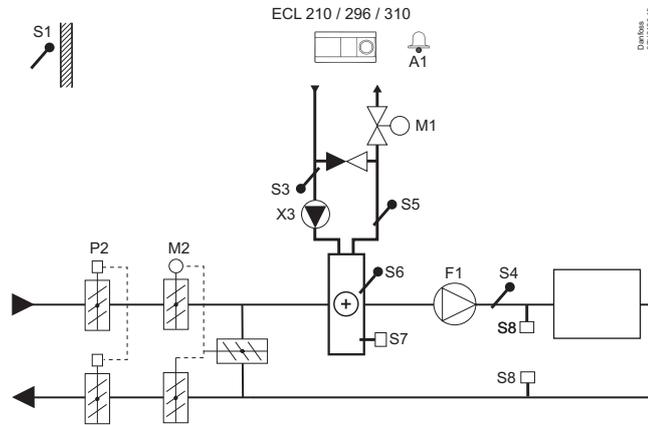
A214.3 (ex. b:)



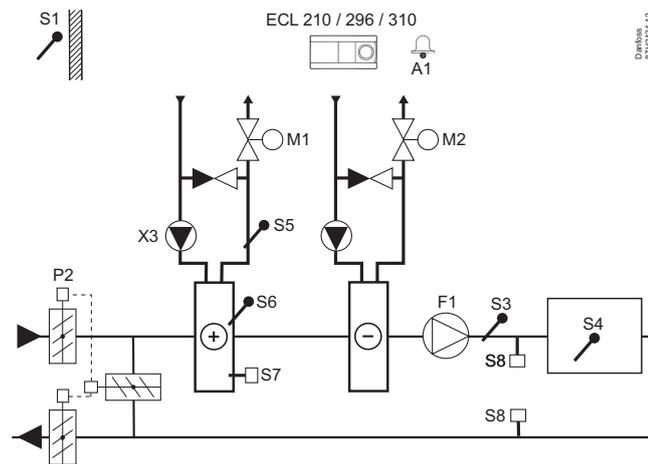
A214.4 (ex. a:)



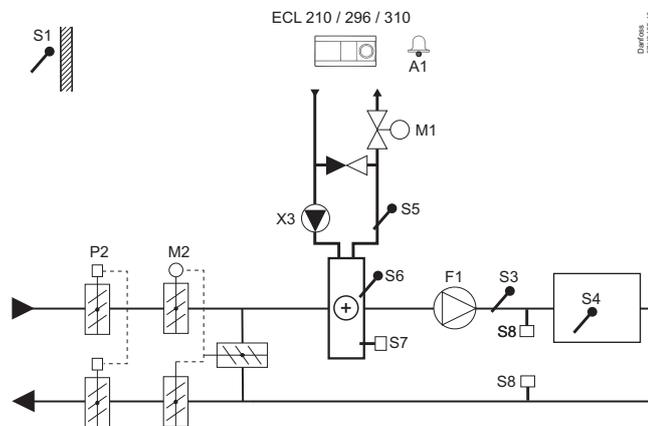
A214.4 (ex. b:)



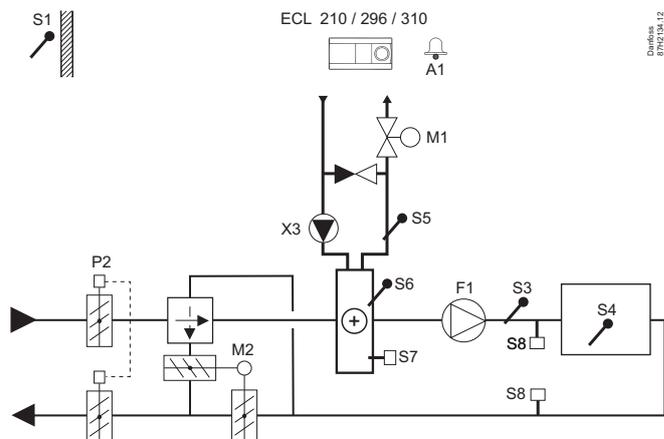
A214.5 (ex. a:)



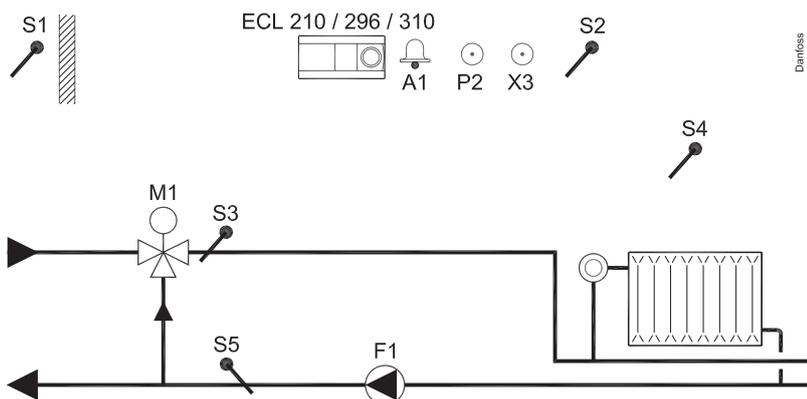
A214.5 (ex. b:)



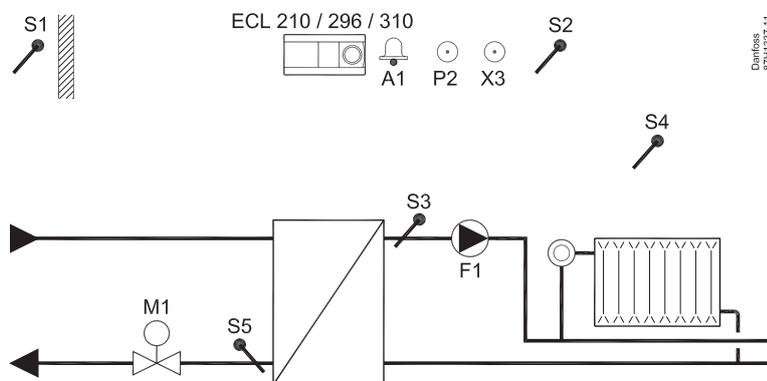
A214.5 (ex. c)



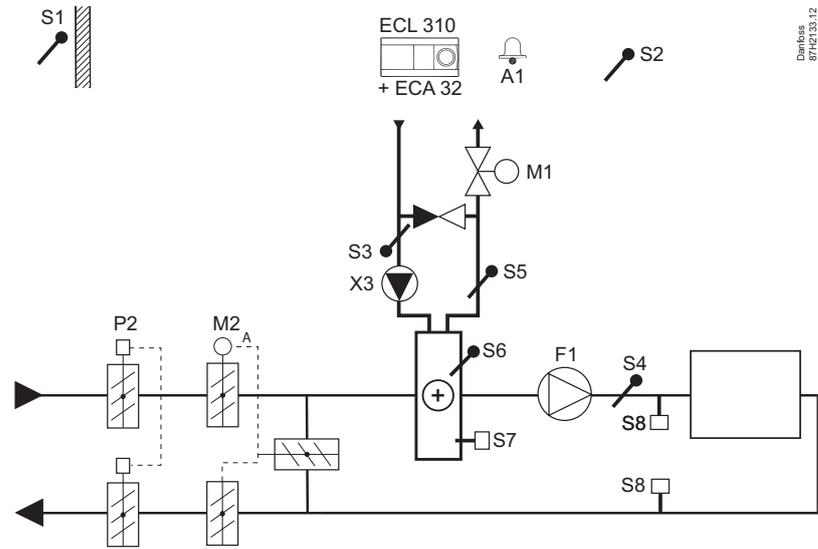
A214.6 (ex. a)



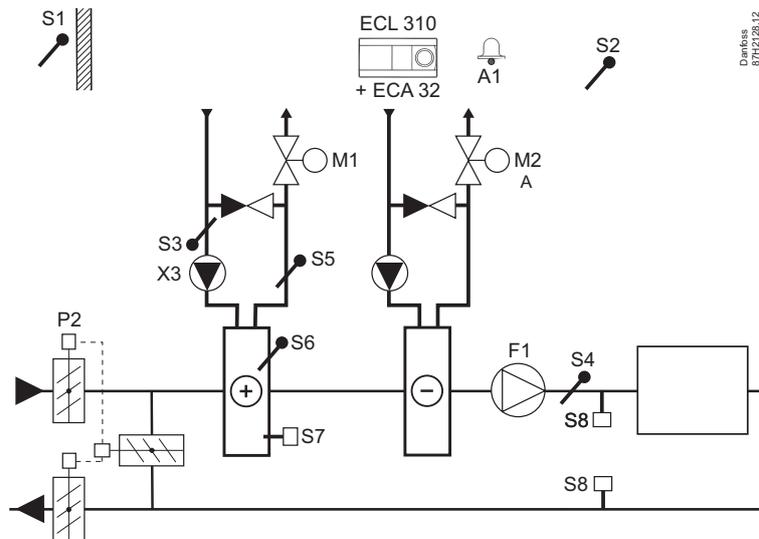
A214.6 (ex. b)



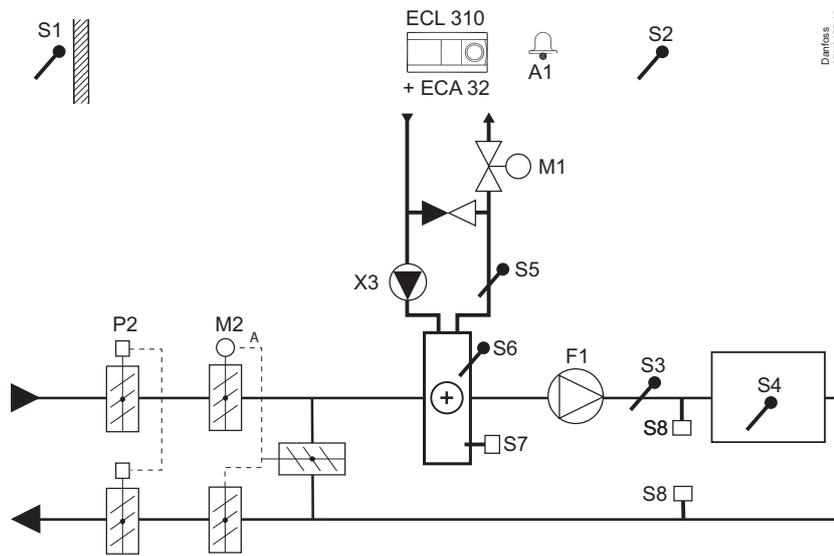
A314.1 (ex. a):



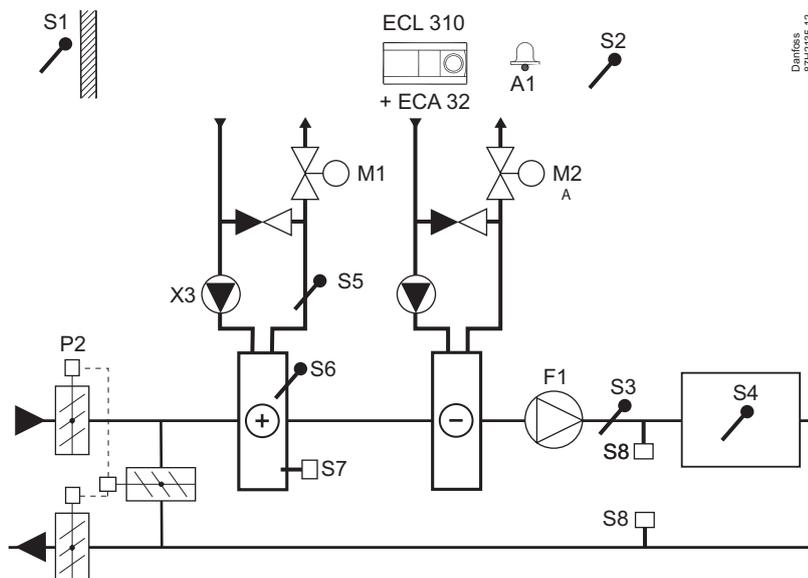
A314.1 (ex. b):



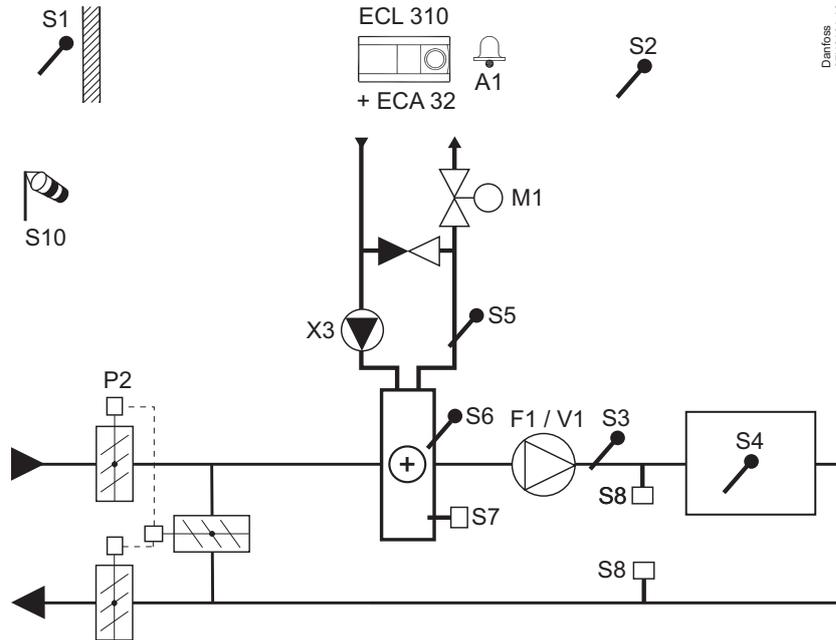
A314.2 (ex. a:)



A314.2 (ex. b:)

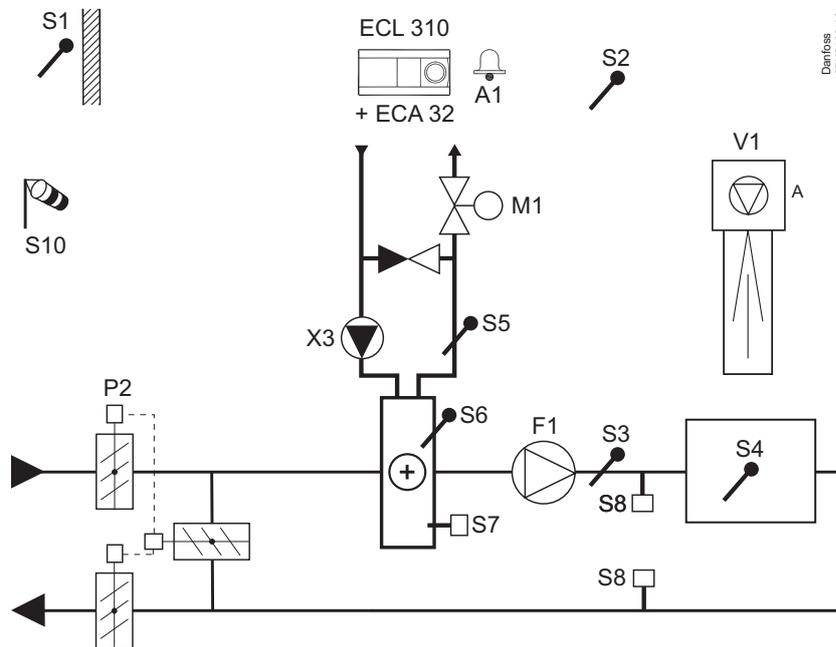


A314.3 (ex. a:)



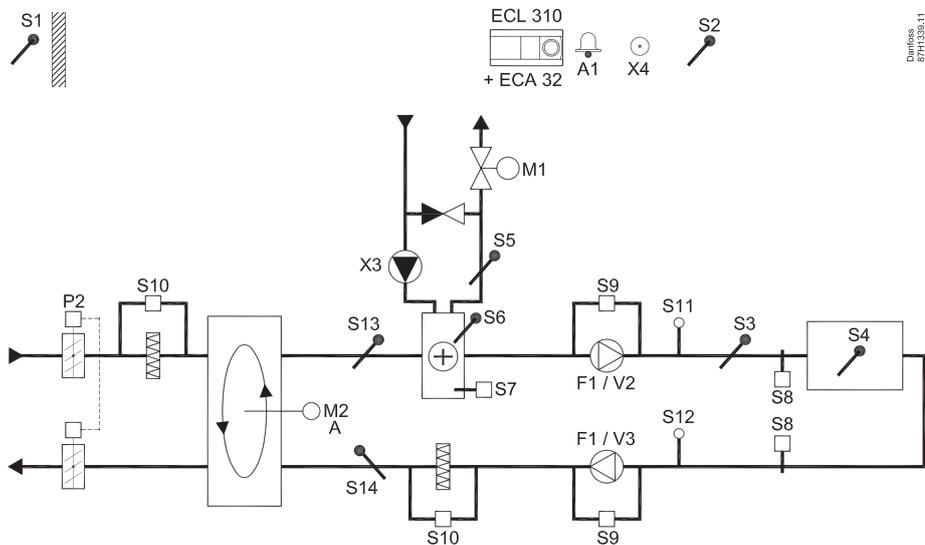
Danfoss
87H2/31.12

A314.3 (ex. b:)



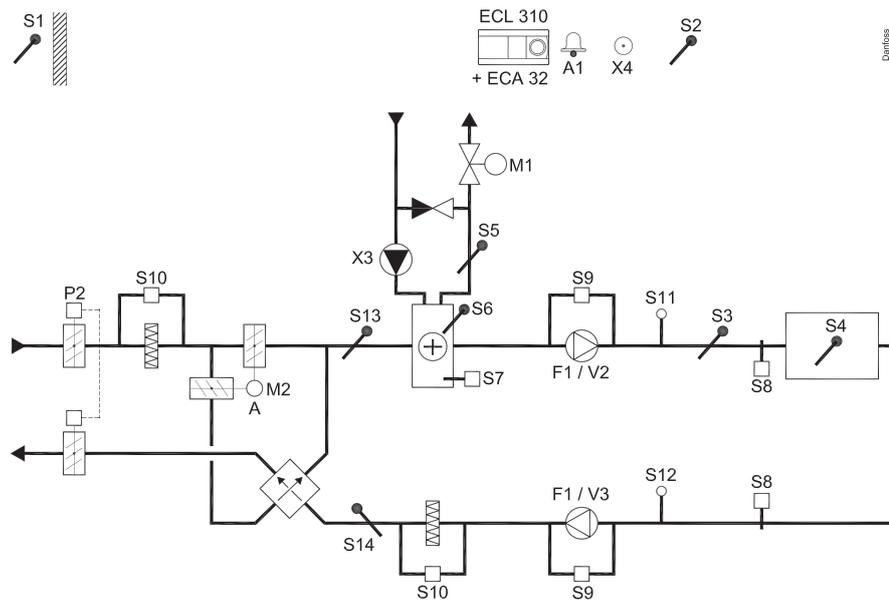
Danfoss
87H2/32.12

A314.4 (ex. a):



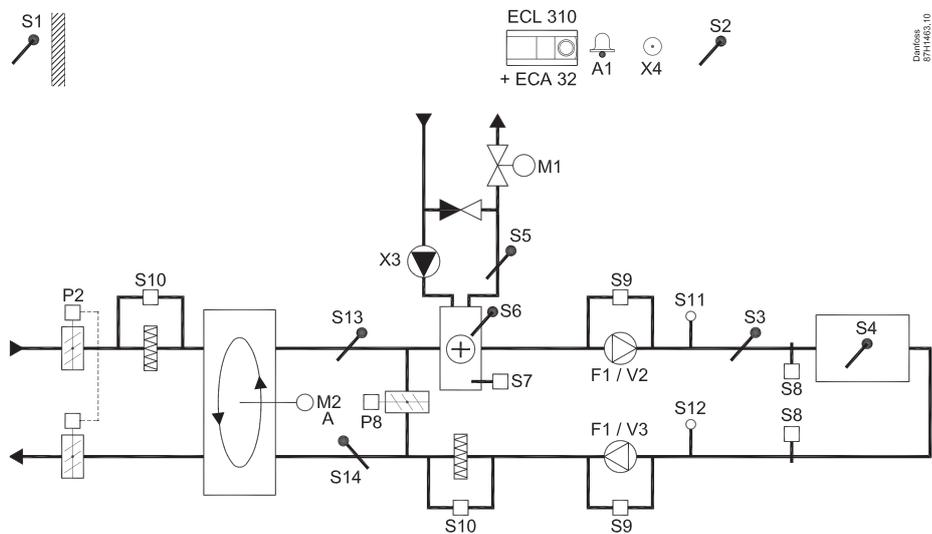
Danfoss
0711335.11

A314.4 (ex. b):



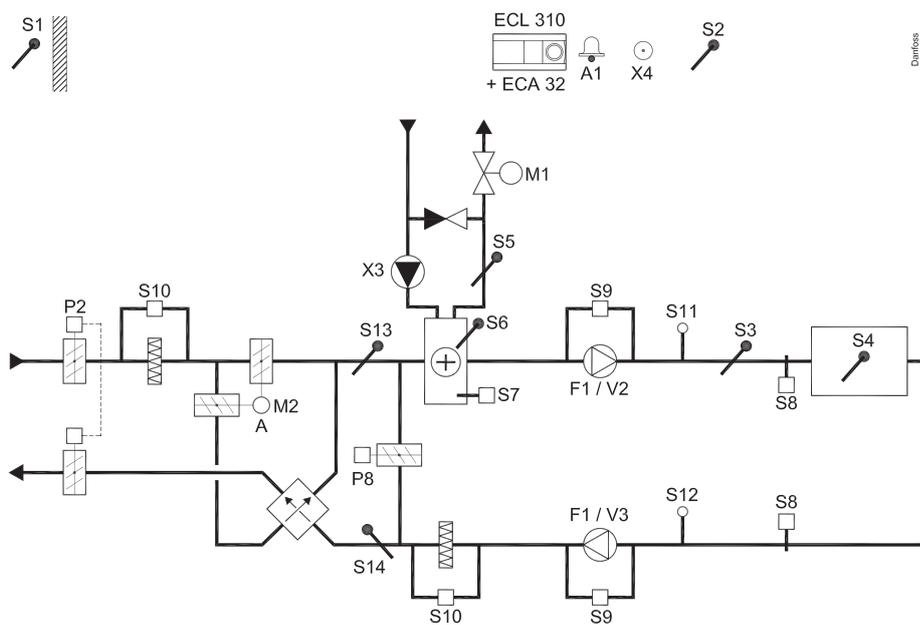
Danfoss
0711335.11

A314.4 (ex. c:)



Danfoss
8711425.10

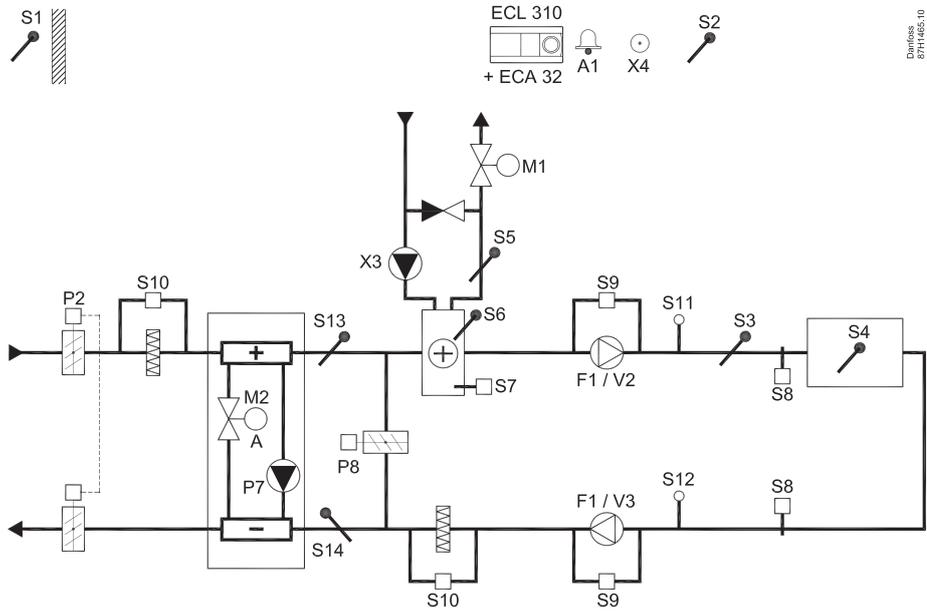
A314.4 (ex. d:)



Danfoss
8711425.10

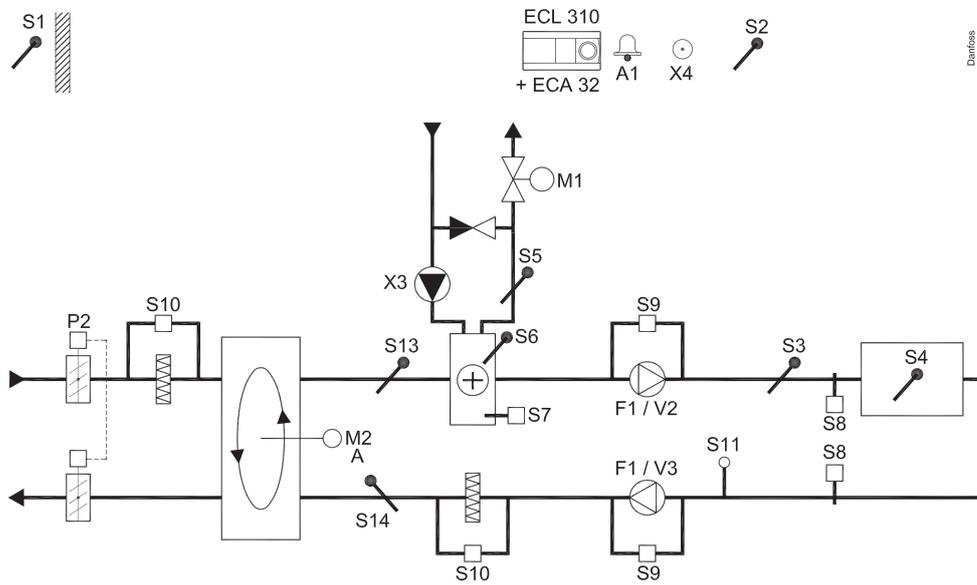
Installation Guide, ECL Comfort 210 / 296 / 310, A214 / A314

A314.4 (ex. e):



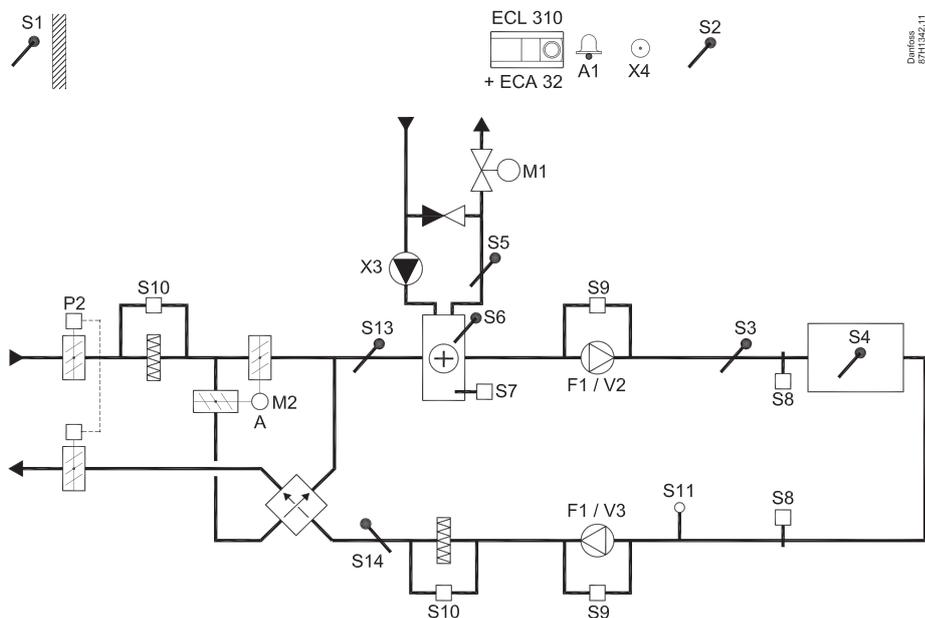
Danfoss
87H1434.10

A314.5 (ex. a):

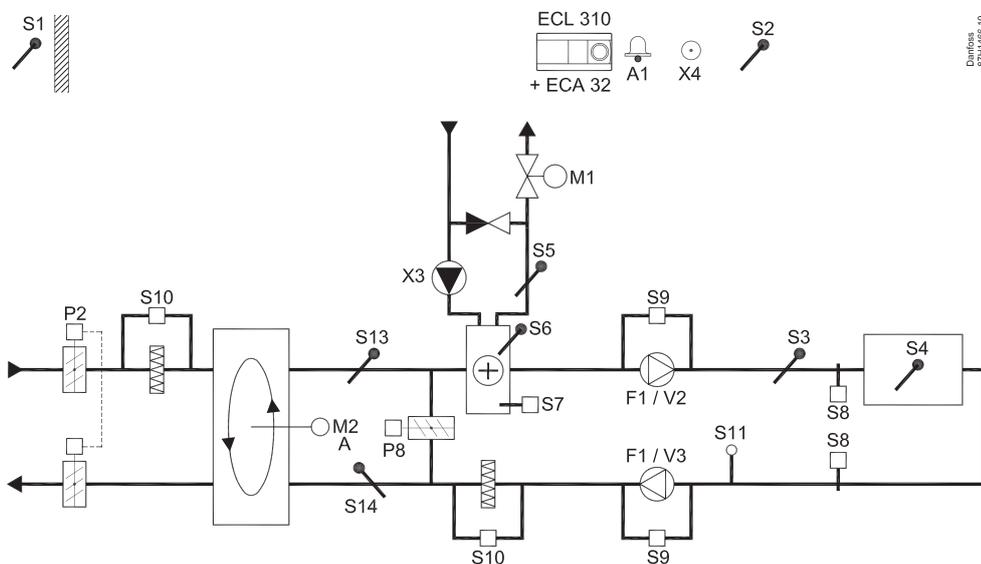


Danfoss
87H1344.11

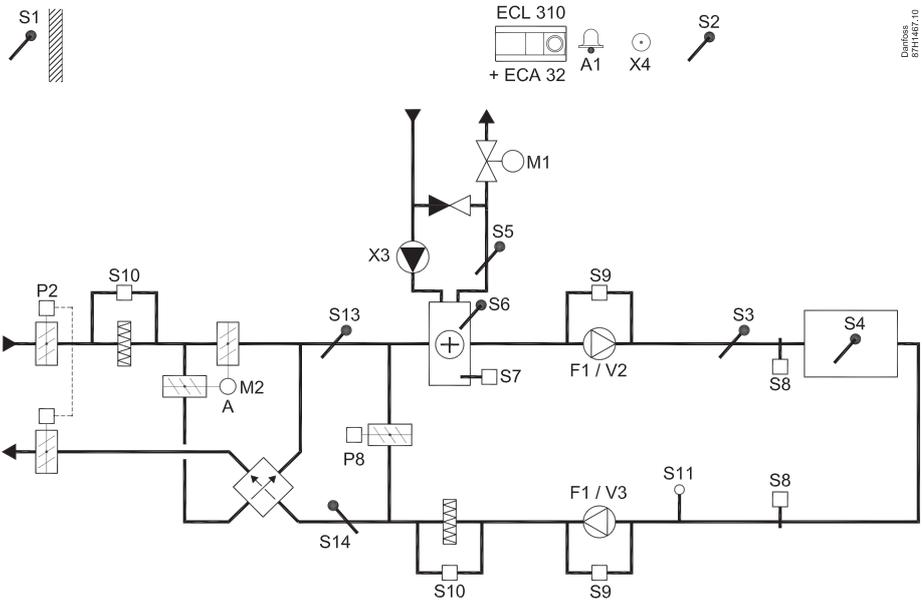
A314.5 (ex. b:)



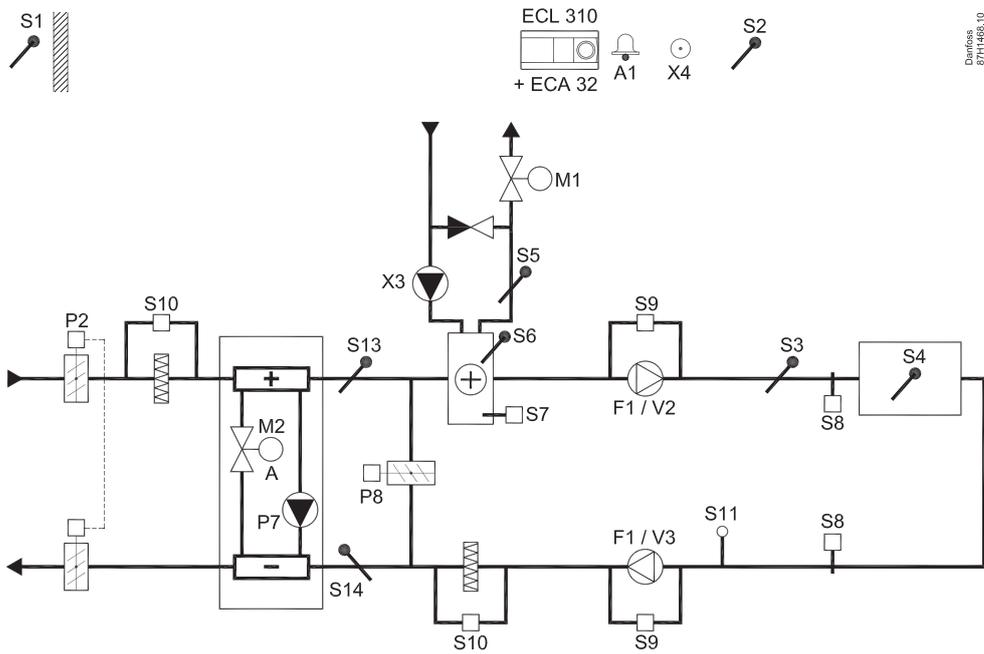
A314.5 (ex. c:)



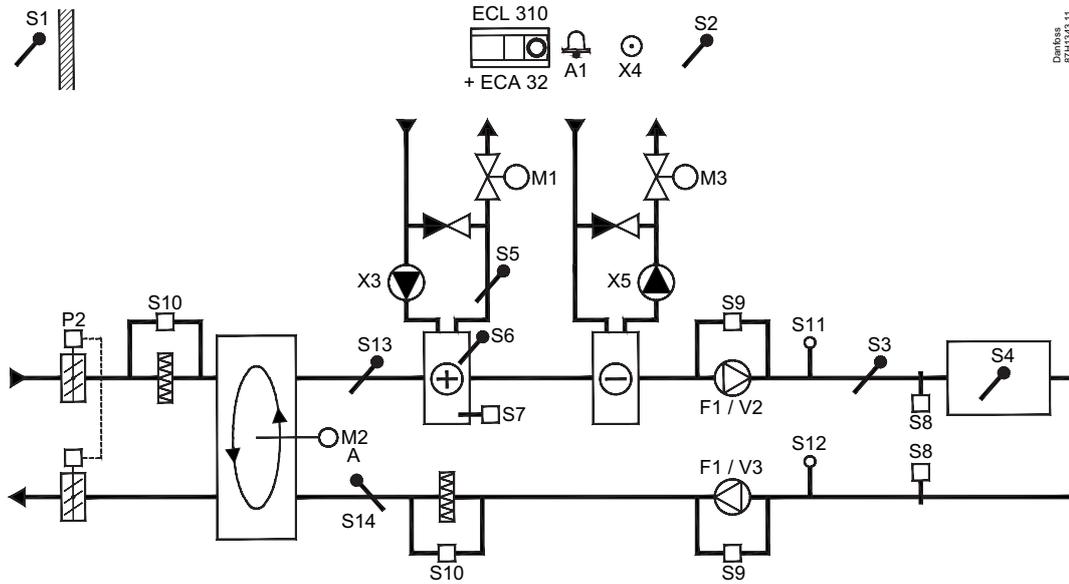
A314.5 (ex. d):



A314.5 (ex. e):

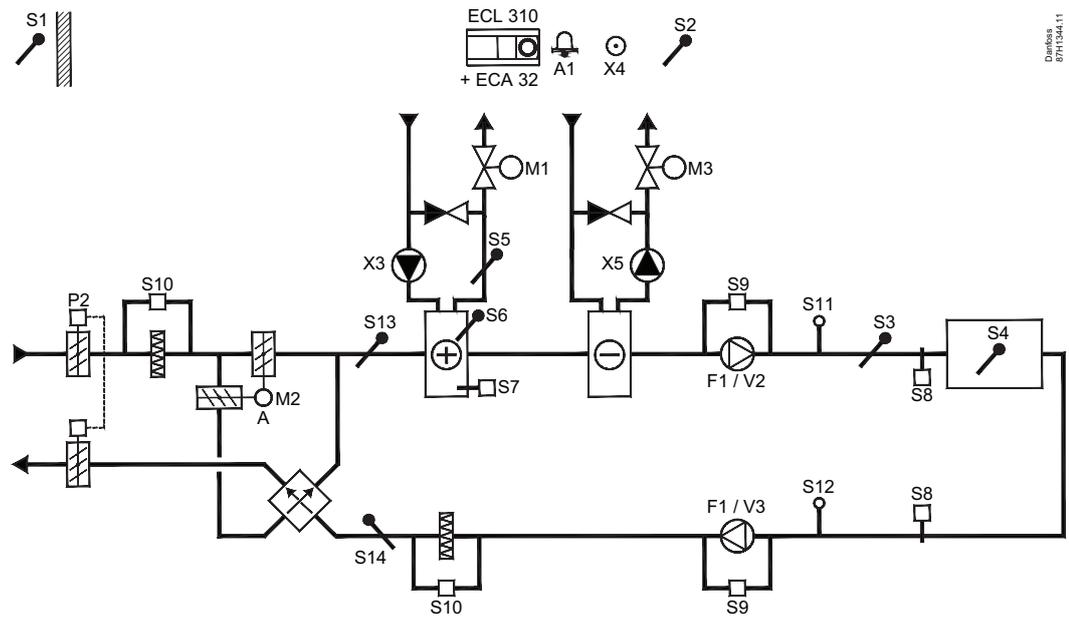


A314.6 (ex. a):



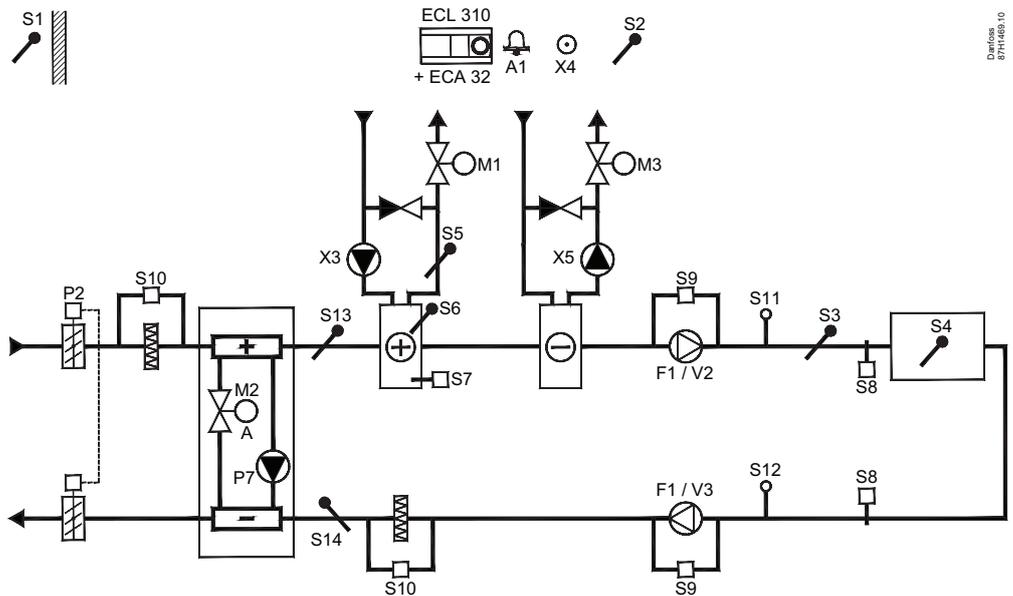
Danfoss
8711343.11

A314.6 (ex. b):



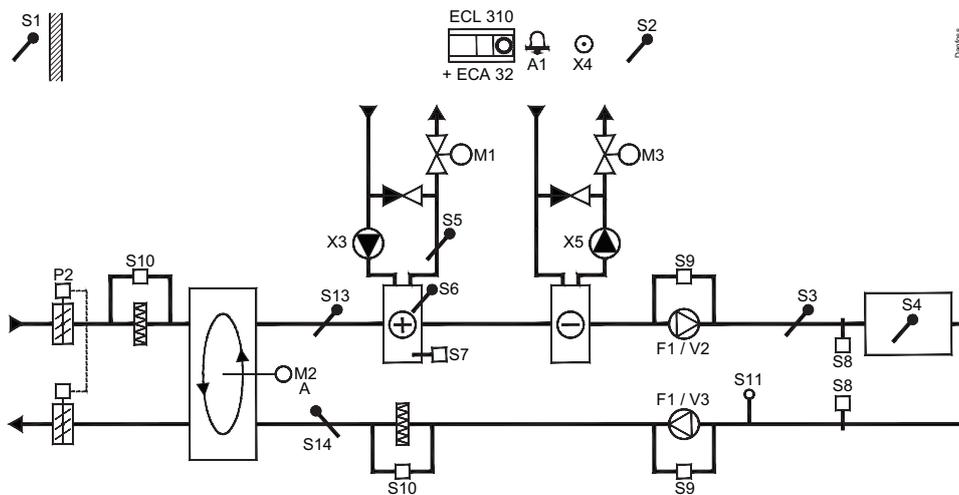
Danfoss
8711344.11

A314.6 (ex. c:)



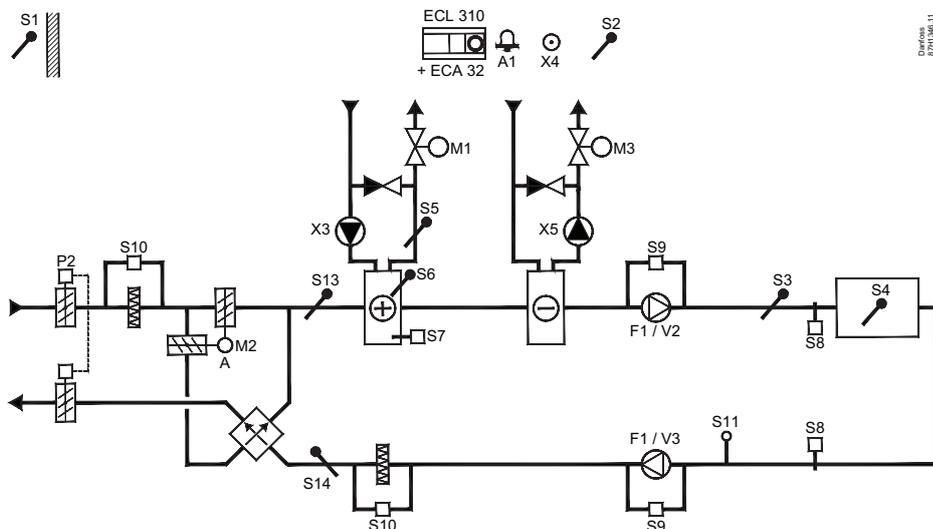
Danfoss
87H148510

A314.7 (ex. a:)



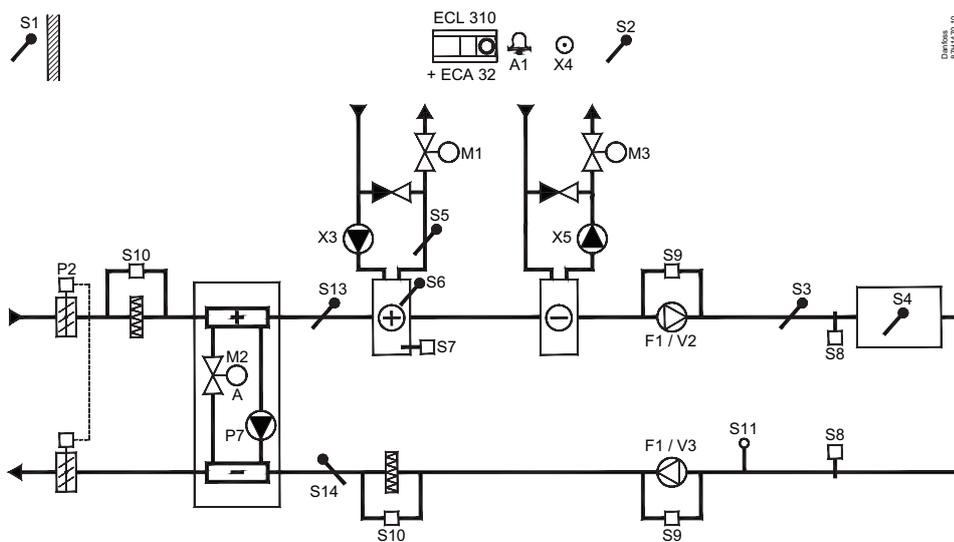
Danfoss
87H148511

A314.7 (ex. b):



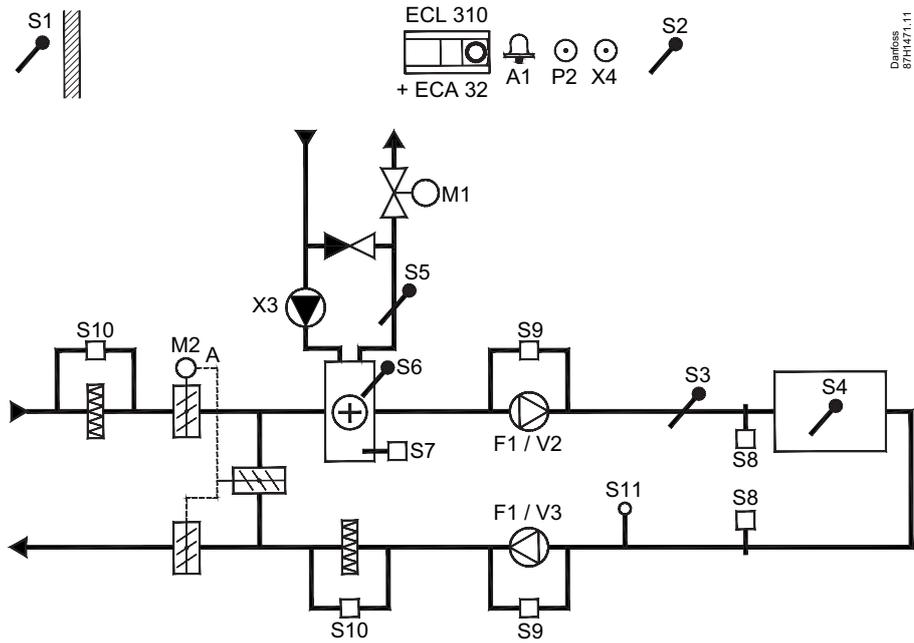
09/19/2011

A314.7 (ex. c):



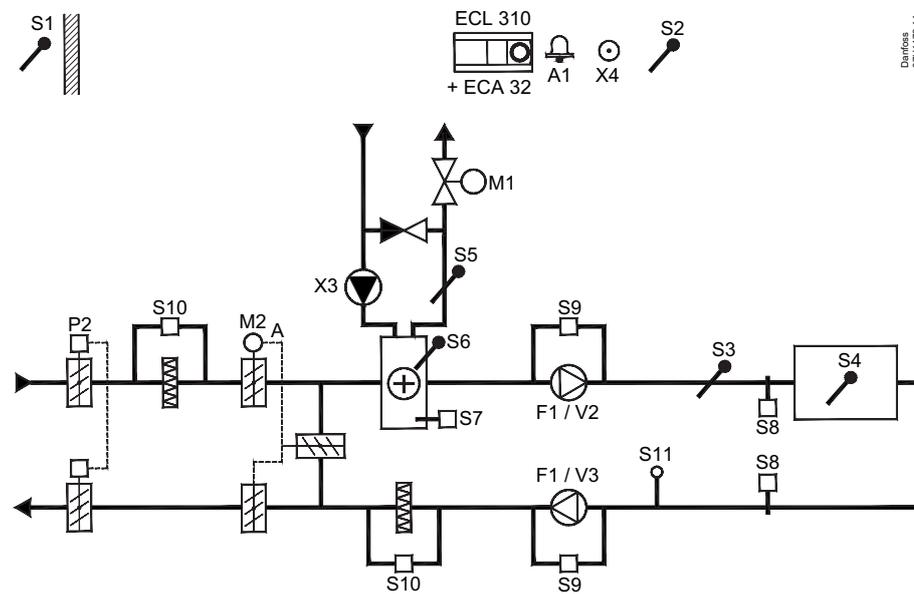
09/19/2011

A314.9 (ex. a:)



Danfoss
87H47Z.11

A314.9 (ex. b:)



Danfoss
87H47Z.11

230 V a.c., A214

ECL 210 / 310:

	3-point:		
	M1	M2	M3
A214.1		✓	
A214.2	✓		
A214.3	✓		
A214.4	✓	✓	
A214.5	✓	✓	
A214.6	✓		

ECL 310:

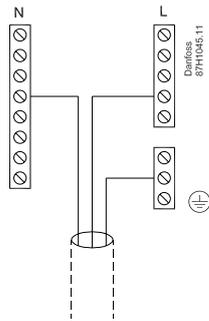
	3-point:				0 - 10 V: (ECA 32)	
	M1	M2	M3		M1	M2
A314.1	✓				✓	
A314.2	✓				✓	
A314.3	✓					
A314.4	✓				✓	
A314.5	✓				✓	
A314.6	✓		✓		✓	
A314.7	✓		✓		✓	
A314.9	✓				✓	

	ECL Comfort 210						ECA 32	
	ECL Comfort 310						P7	P8
	F1	P2	X3	X4	X5			
A214.1	✓	✓	✓					
A214.2	✓	✓	✓					
A214.3	✓	✓	✓					
A214.4	✓	✓	✓					
A214.5	✓	✓	✓					
A214.6	✓	✓	✓					
A314.1	✓	✓	✓					
A314.2	✓	✓	✓					
A314.3	✓	✓	✓					
A314.4	✓	✓	✓	✓			✓	✓
A314.5	✓	✓	✓	✓			✓	✓
A314.6	✓	✓	✓	✓	✓		✓	
A314.7	✓	✓	✓	✓	✓		✓	
A314.9	✓	✓	✓	✓	✓			

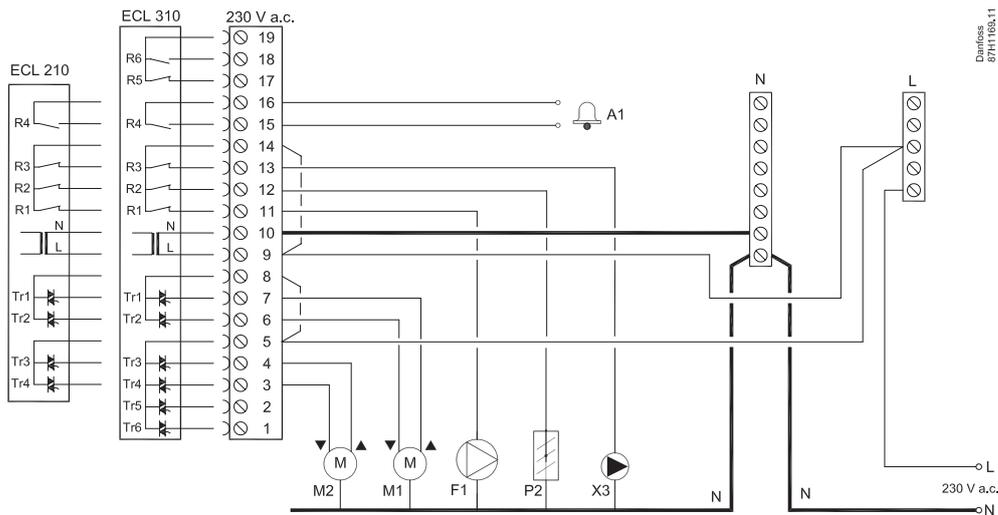
Installation Guide, ECL Comfort 210 / 296 / 310, A214 / A314

ECL Comfort 210 / 310: 230 V a.c.

R		4 (2) A / 24 V a.c.
Tr		1 A / 24 V a.c.

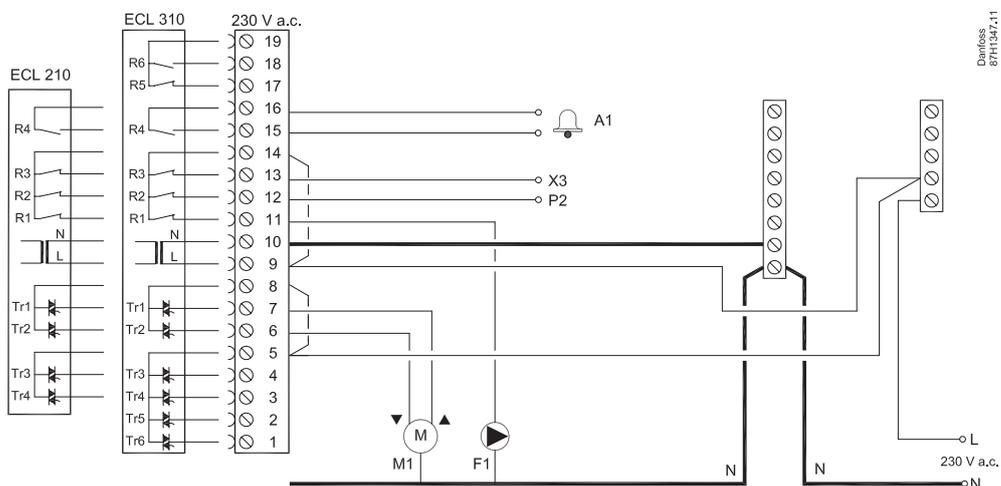


230 V a.c., A214



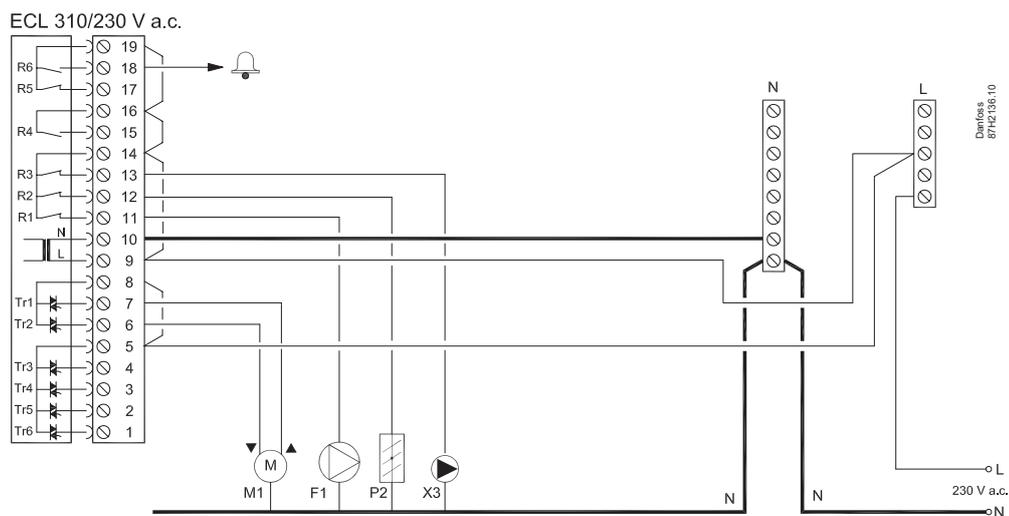
Danfoss
87H1169.11

230 V a.c. (A214.6)

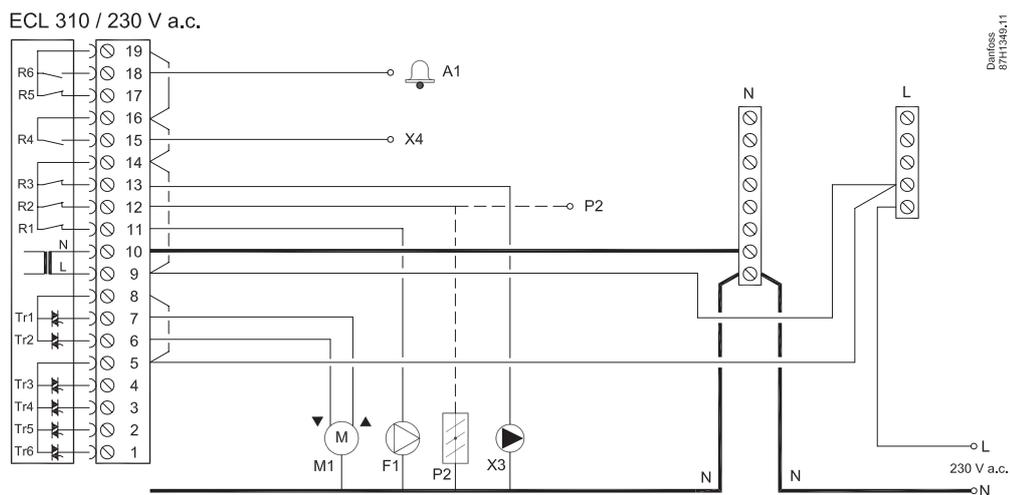


Danfoss
87H1347.11

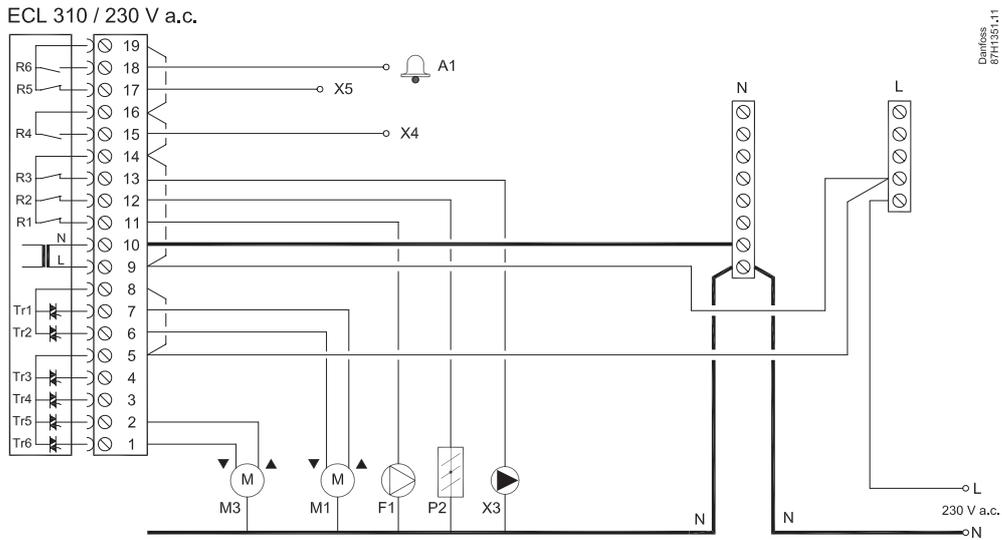
230 V a.c. (A314.1 / A314.2 / A314.3)



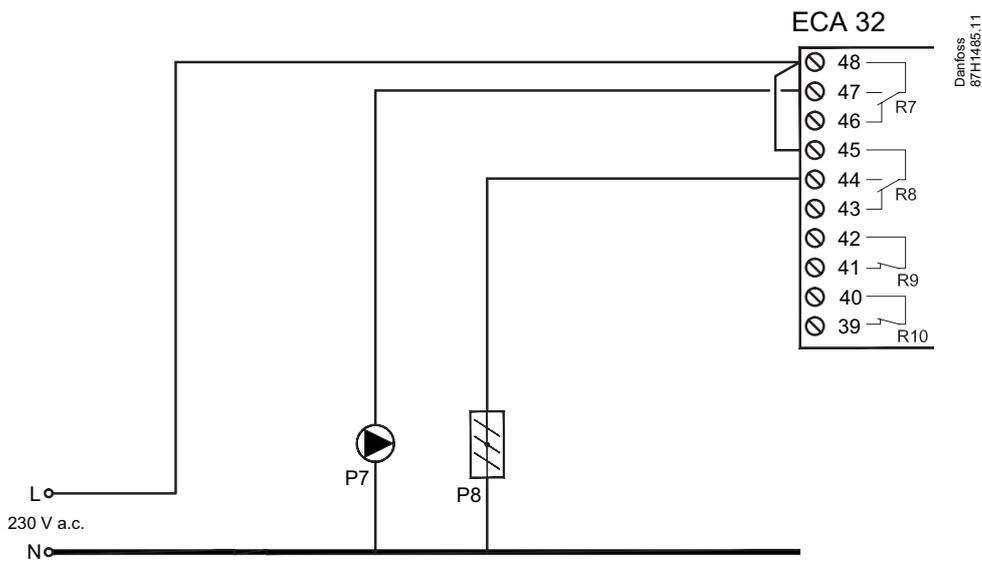
230 V a.c. (A314.4 / A314.5 / A314.9)



230 V a.c. (A314.6 / A314.7)



ECA 32



24 V a.c., A214

ECL 310:

	3-point:		
	M1	M2	M3
A214.1		✓	
A214.2	✓		
A214.3	✓		
A214.4	✓	✓	
A214.5	✓	✓	
A214.6	✓		

ECL 310:

	3-point:				0 - 10 V: (ECA 32)	
	M1	M2	M3		M1	M2
A314.1	✓				✓	
A314.2	✓				✓	
A314.3	✓					
A314.4	✓				✓	
A314.5	✓				✓	
A314.6	✓		✓		✓	
A314.7	✓		✓		✓	
A314.9	✓				✓	

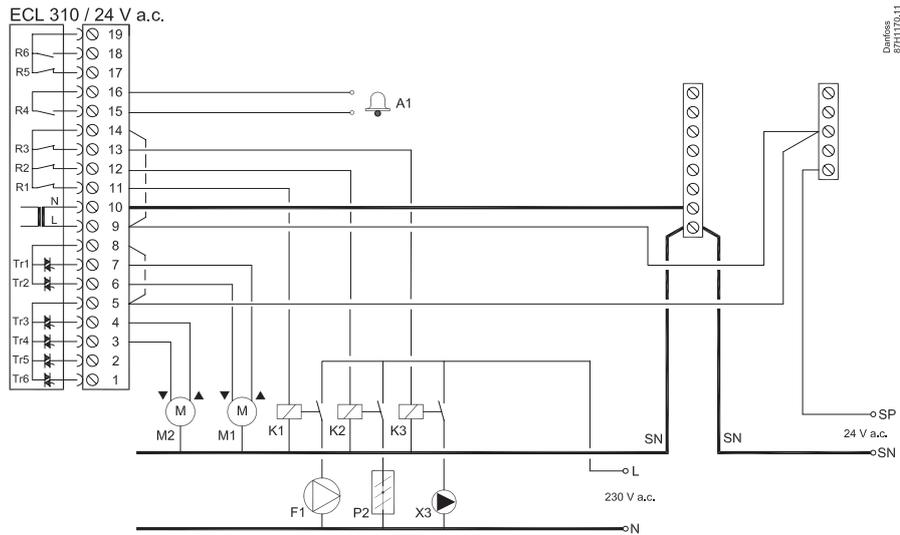
	ECL Comfort 310						ECA 32	
	F1	P2	X3	X4	X5		P7	P8
A214.1	✓	✓	✓					
A214.2	✓	✓	✓					
A214.3	✓	✓	✓					
A214.4	✓	✓	✓					
A214.5	✓	✓	✓					
A214.6	✓	✓	✓					
A314.1	✓	✓	✓					
A314.2	✓	✓	✓					
A314.3	✓	✓	✓					
A314.4	✓	✓	✓	✓		✓	✓	
A314.5	✓	✓	✓	✓		✓	✓	
A314.6	✓	✓	✓	✓	✓	✓		
A314.7	✓	✓	✓	✓	✓	✓		
A314.9	✓	✓	✓	✓	✓			

Installation Guide, ECL Comfort 210 / 296 / 310, A214 / A314

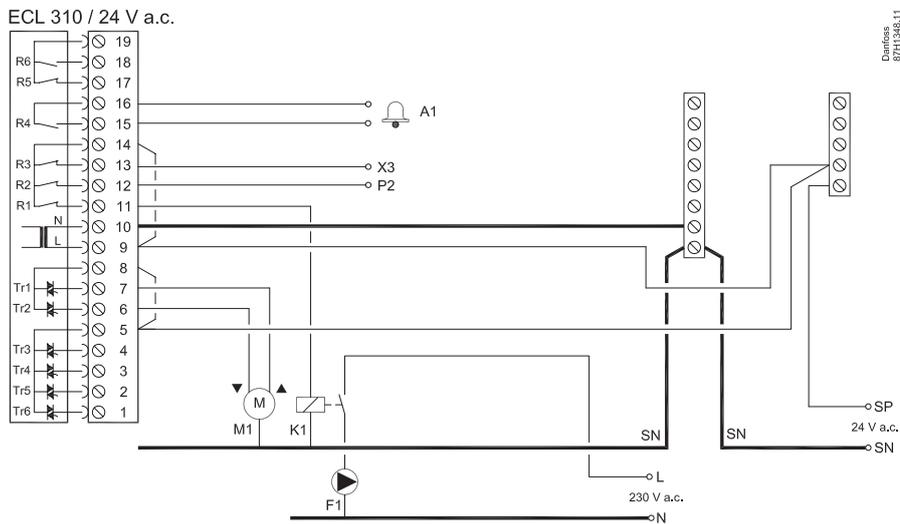
ECL Comfort 210 / 310: 24 V a.c.

R		4 (2) A / 24 V a.c.
Tr		1 A / 24 V a.c.

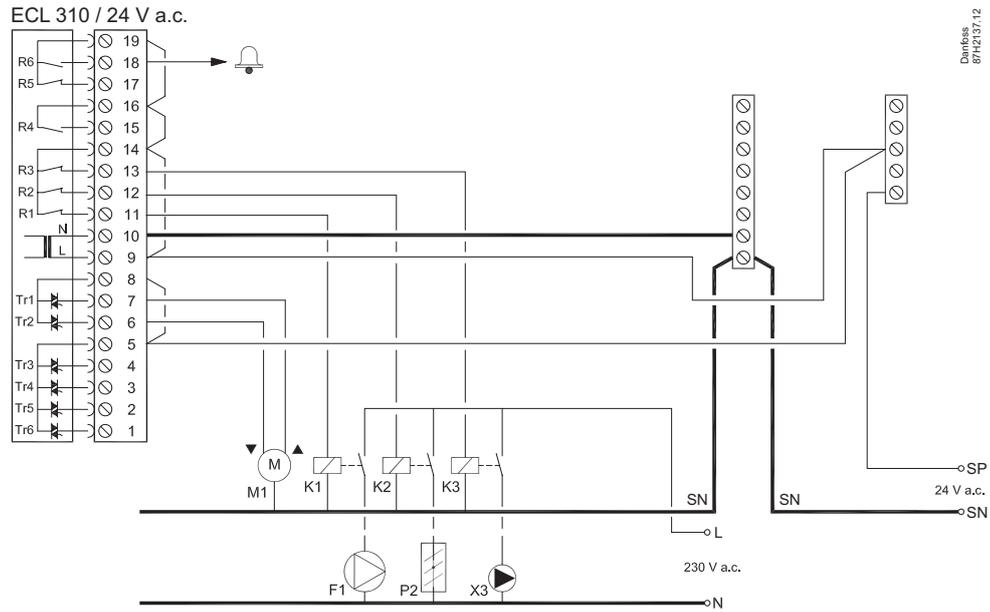
24 V a.c., A214



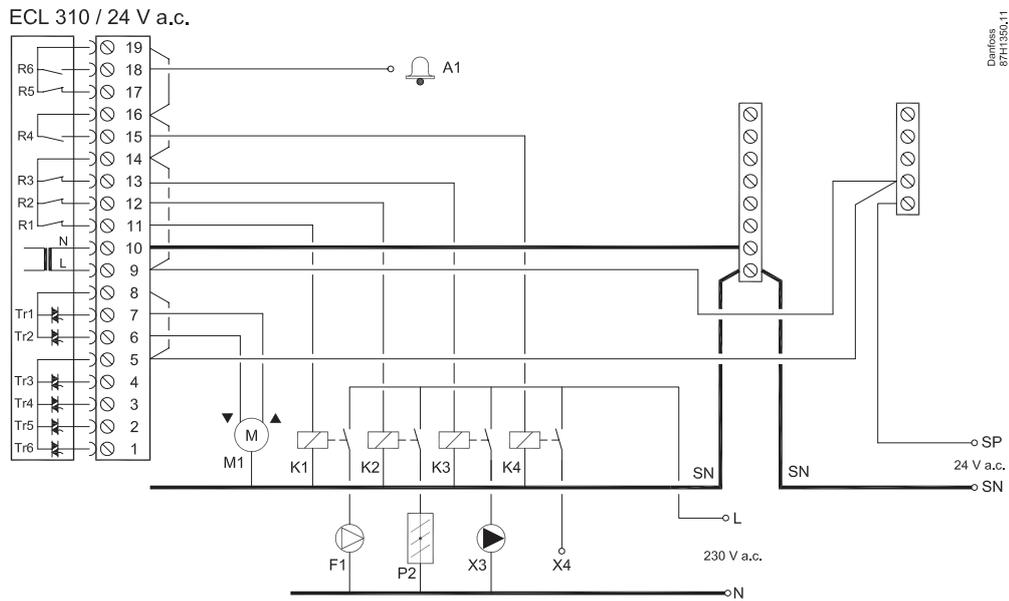
24 V a.c. (A214.6)



24 V a.c. (A314.1 / A314.2 / A314.3)

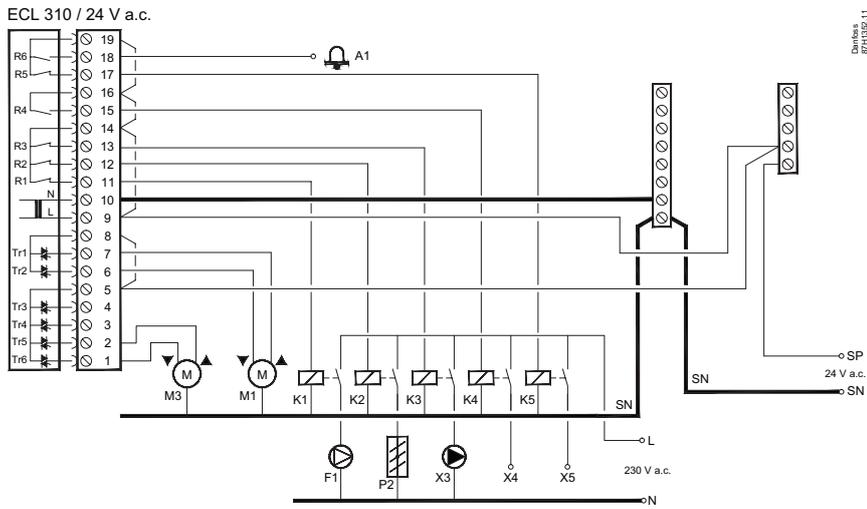


24 V a.c. (A314.4 / A314.5 / A314.9)

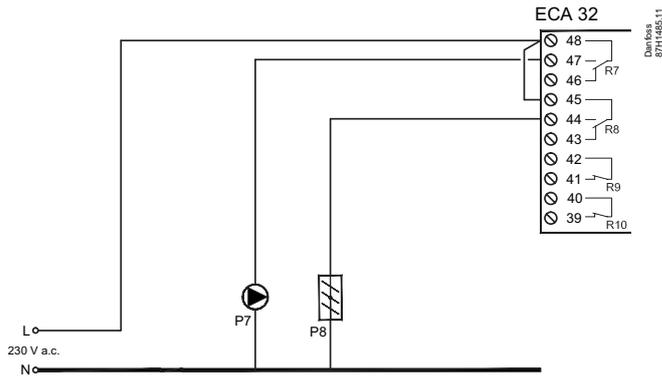


Installation Guide, ECL Comfort 210 / 296 / 310, A214 / A314

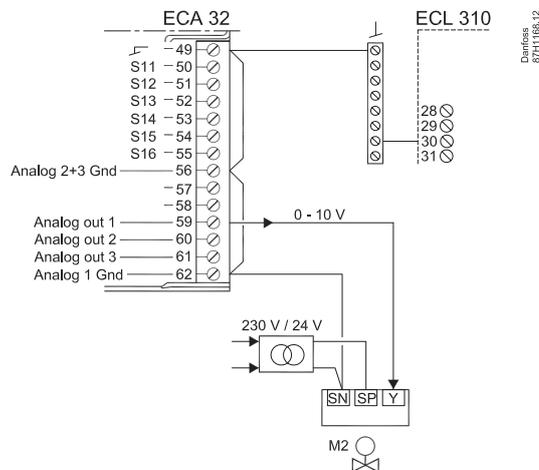
24 V a.c. (A314.6 / A314.7)



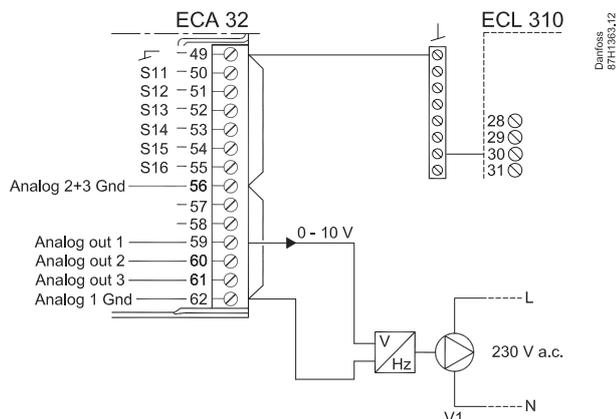
ECA 32



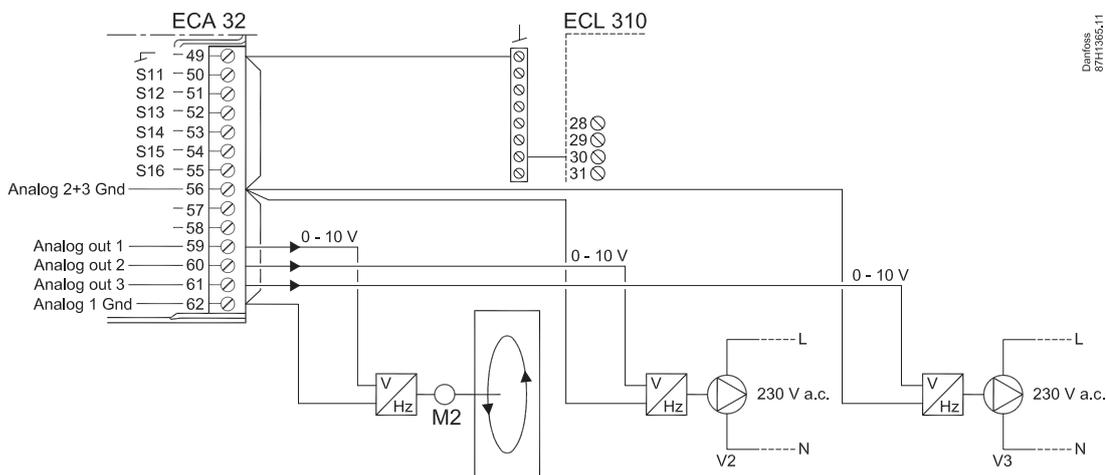
ECA 32 (A314.1 / A314.2)



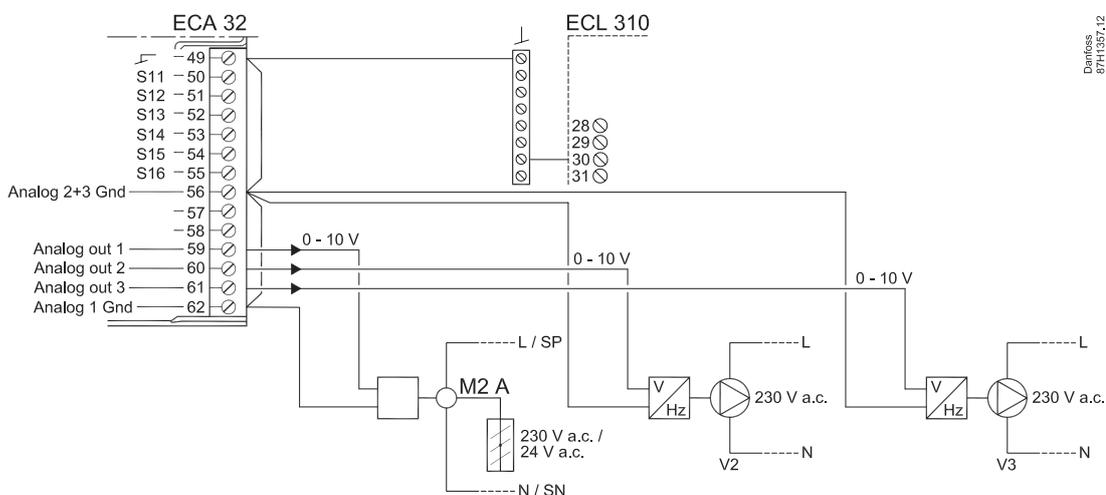
ECA 32 (A314.3)



ECA 32 (A314.4, ex. a / A314.5, ex. a / A314.6, ex. a / A314.7, ex. a)

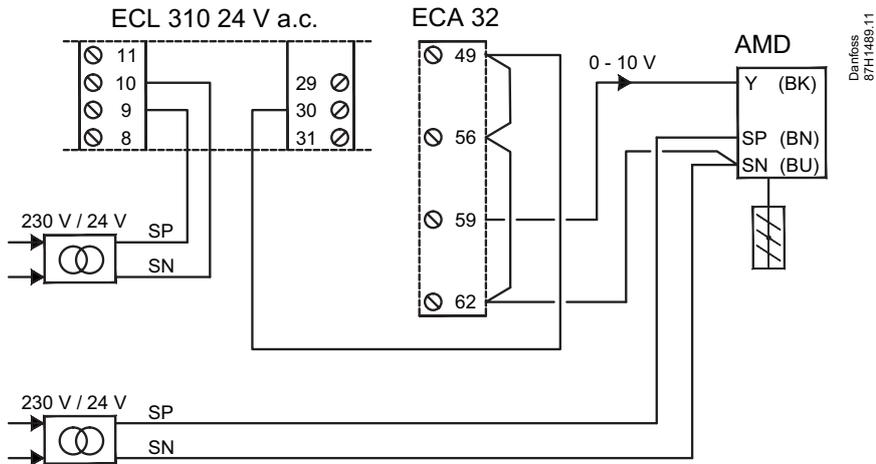


ECA 32 (A314.4, ex. a / A314.5, ex. a / A314.6, ex. a / A314.7, ex. a / A314.9, ex. a + b)



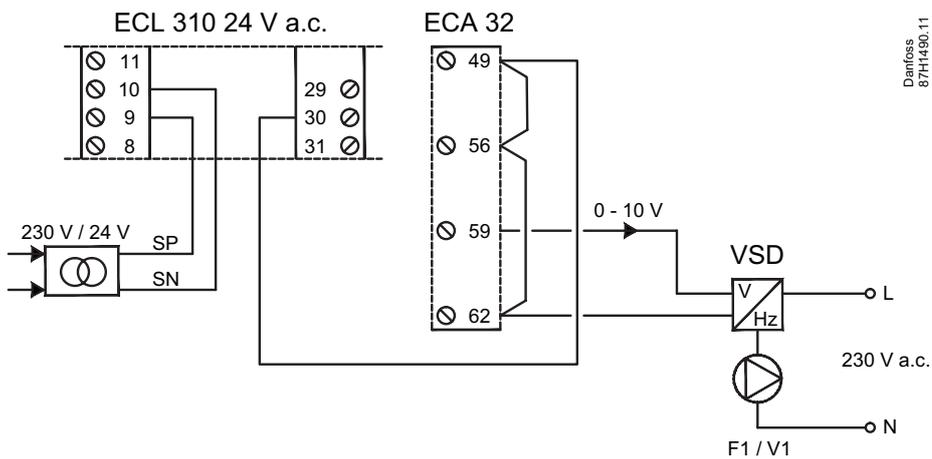
L - N: 230 V a.c. / SP - SN: 24 V a.c.

Example:



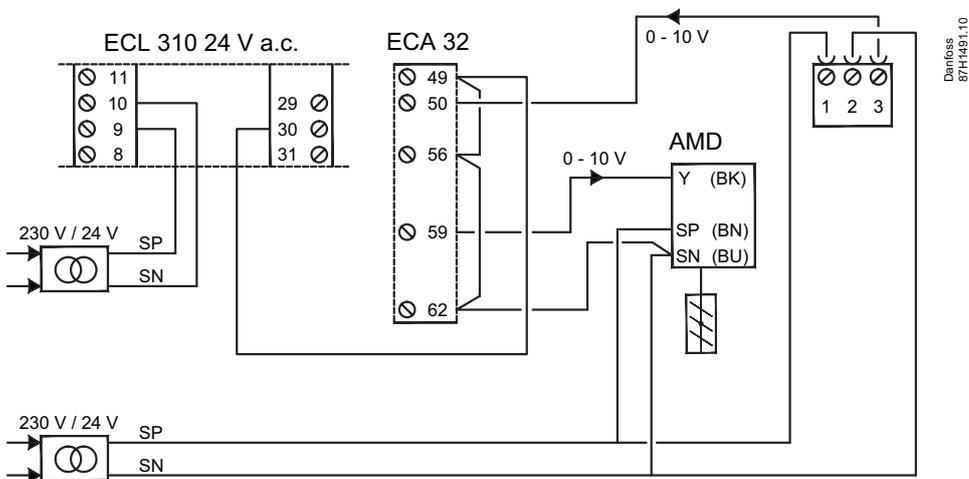
Danfoss
87H1489.11

Example:



Danfoss
87H1490.11

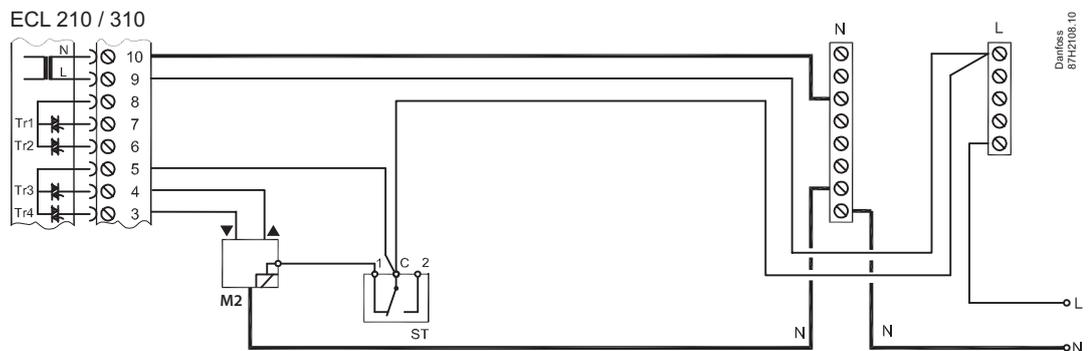
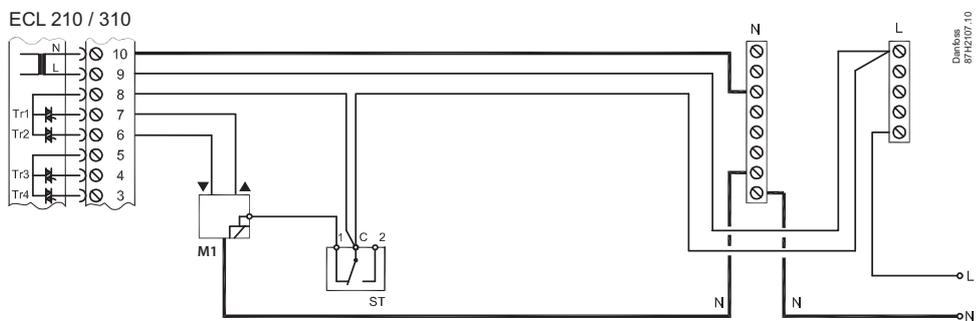
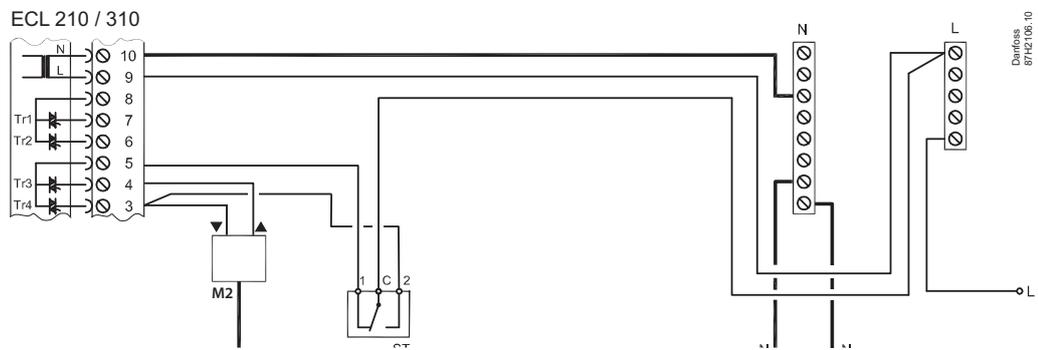
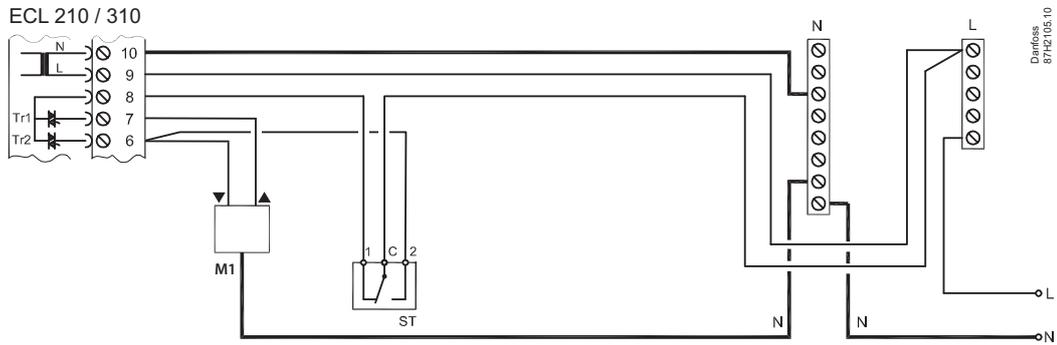
Example:



Danfoss
87H1491.10

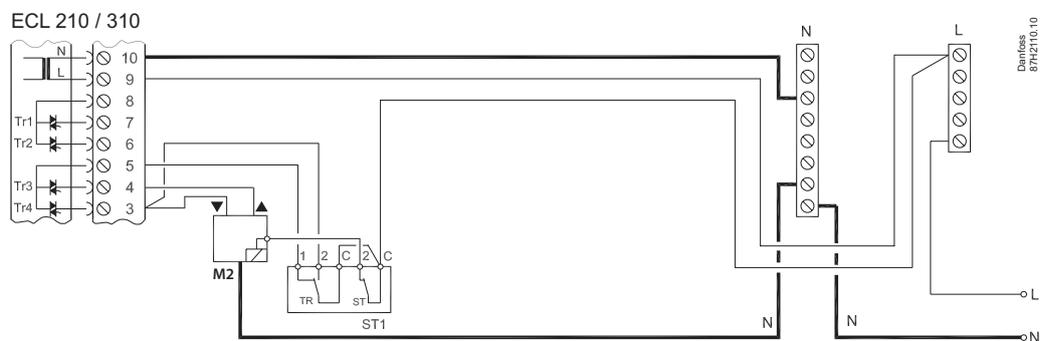
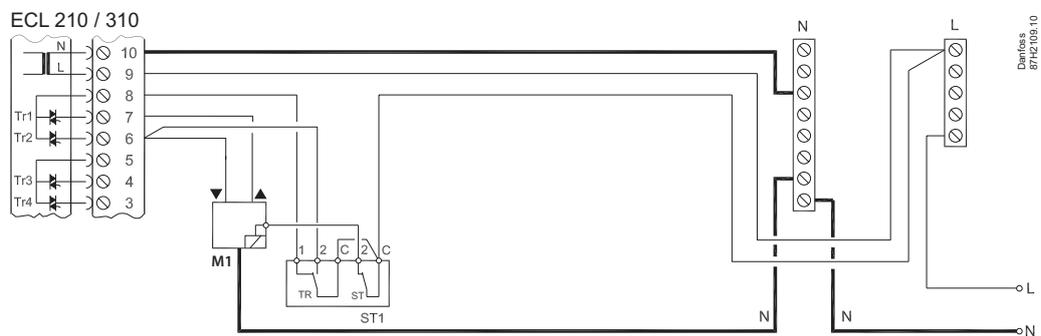
230 V a.c. / 24 V a.c. , safety thermostat

1-step closing



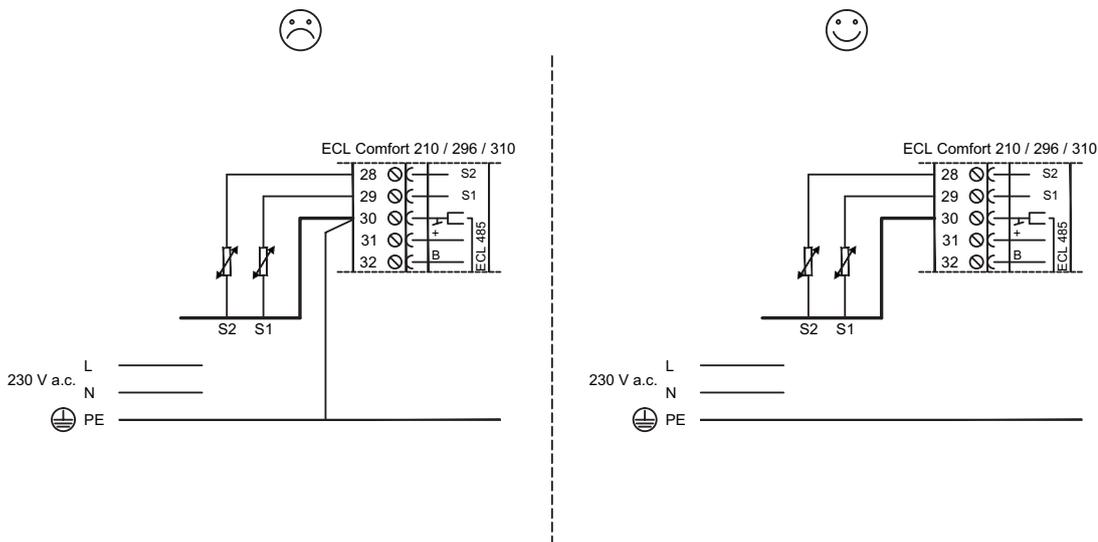
230 V a.c. / 24 V a.c. , safety thermostat

2-step closing

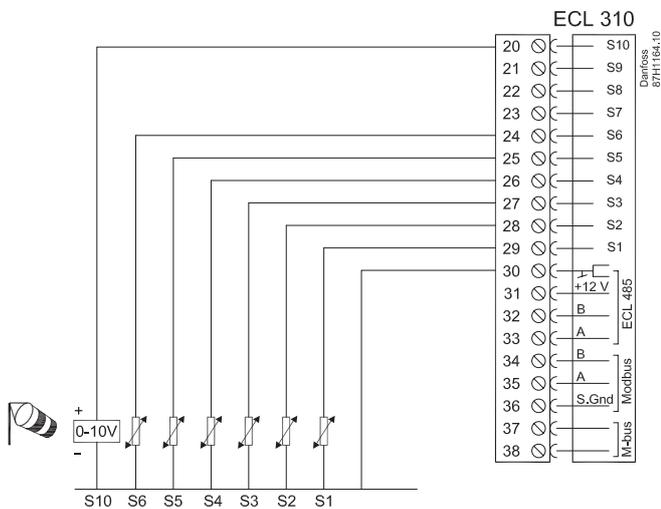
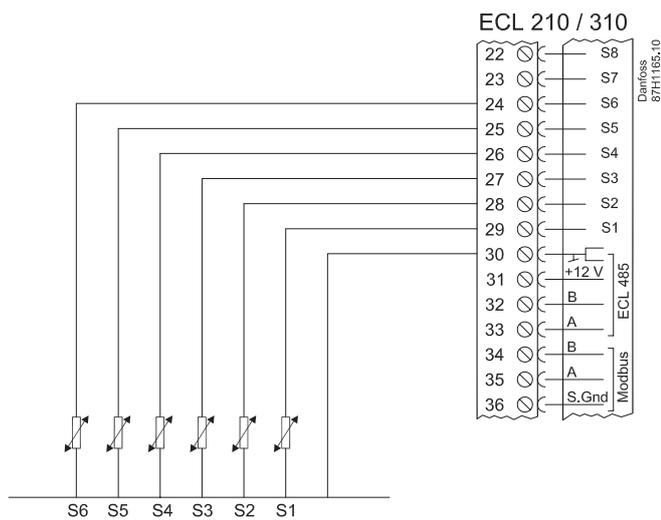


Installation Guide, ECL Comfort 210 / 296 / 310, A214 / A314

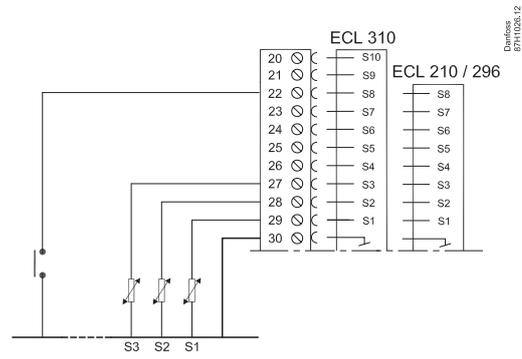
Pt 1000 (1000 Ω / 0 °C)



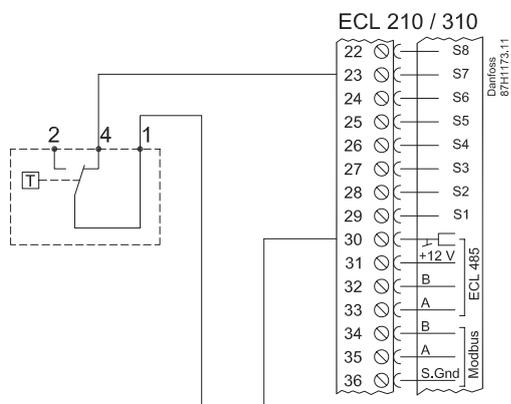
Danfoss
87H1487.11



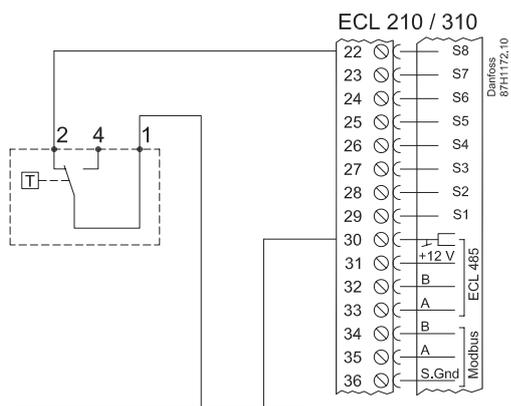
A214



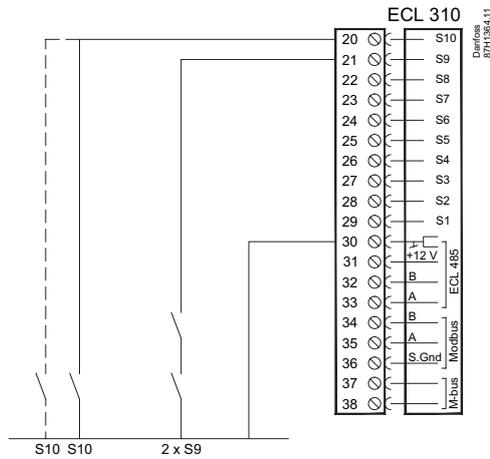
S7



S8

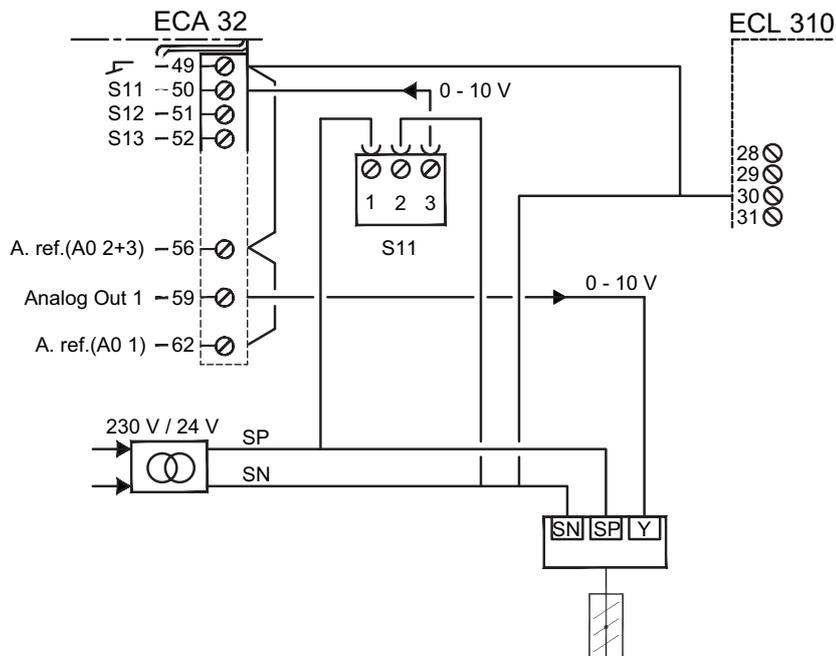


S9 / S10



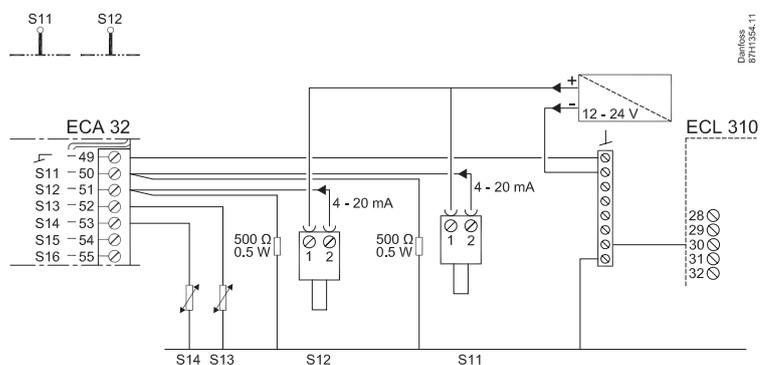
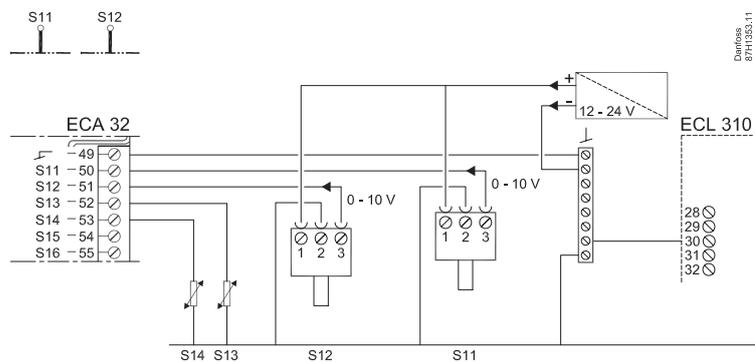
ECA 32

	S11	S12	S13	S14
A314.4	✓	✓	✓	✓
A314.5	✓		✓	✓
A314.6	✓	✓	✓	✓
A314.7	✓		✓	✓
A314.9	✓			

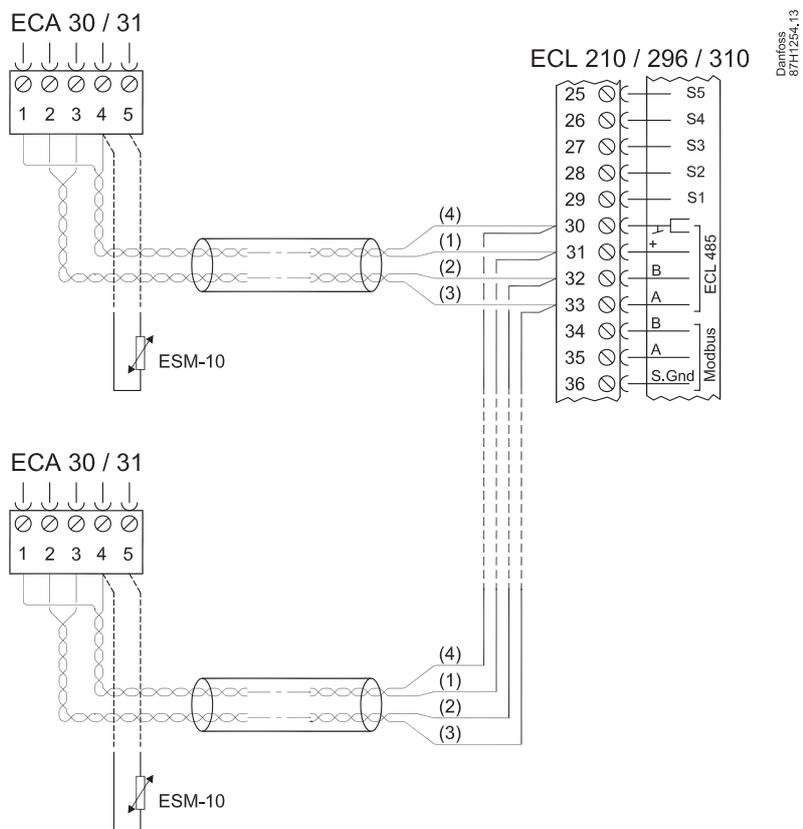
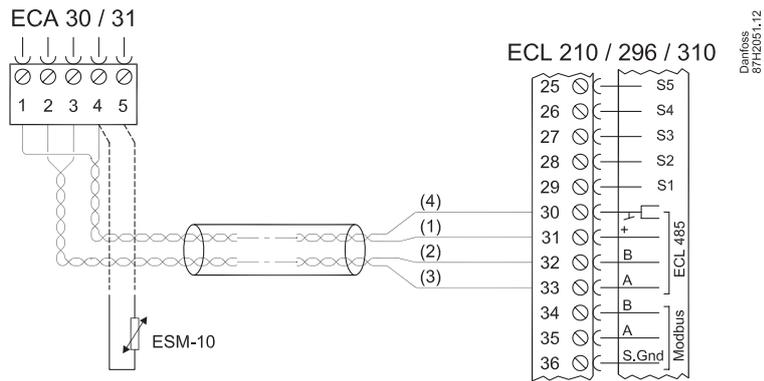


Danfoss
87H1560.10

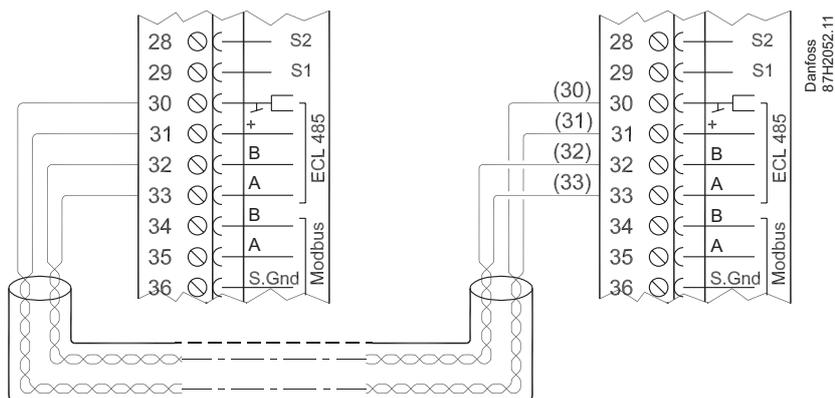
ECA 32



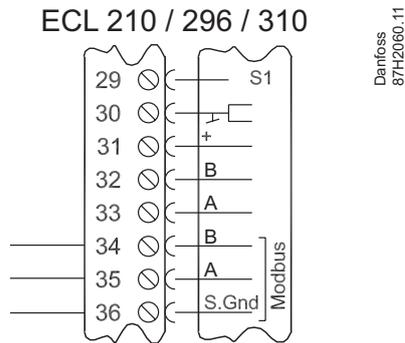
ECA 30 / 31



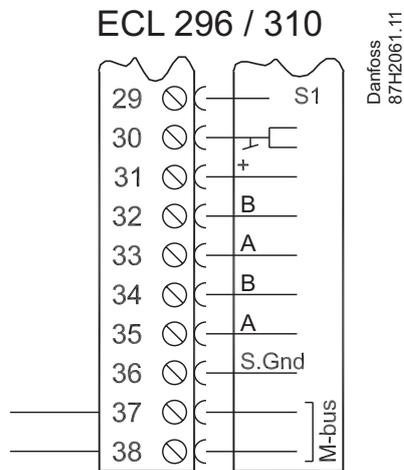
Master / slave



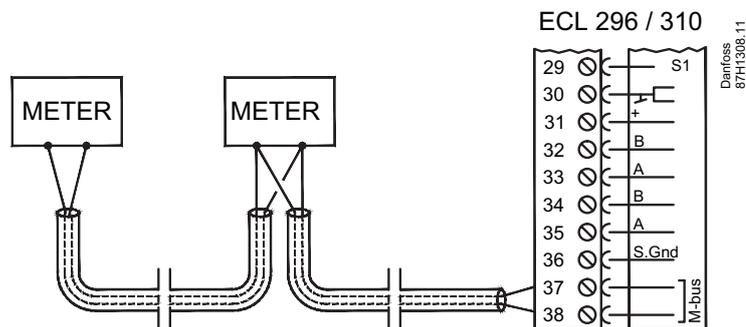
Modbus



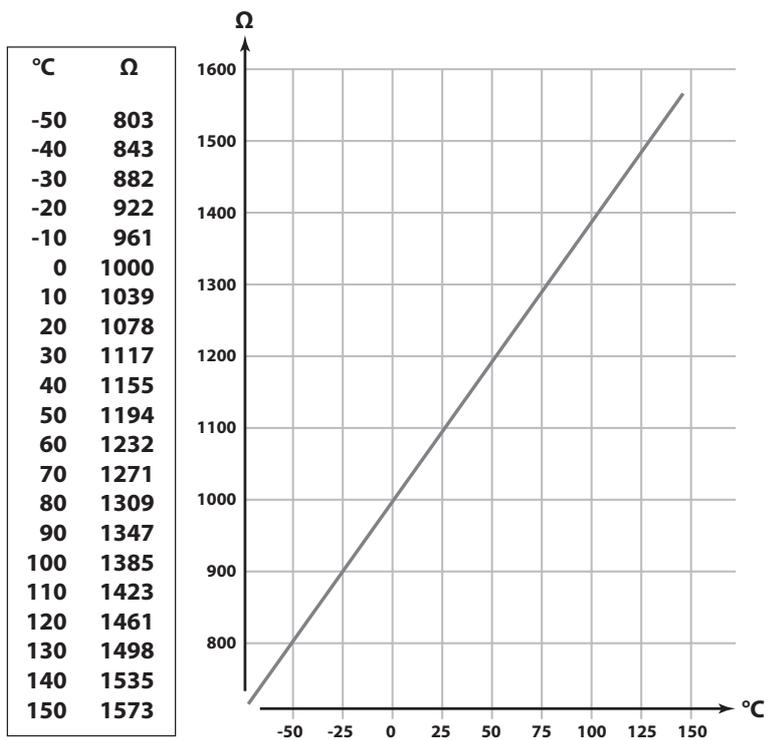
M-bus



M-bus

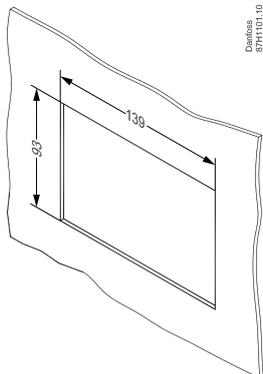


Pt 1000 (IEC 751B, 1000 Ω / 0 $^{\circ}\text{C}$)



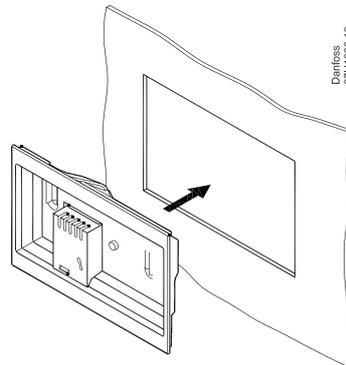
ECA 30

1



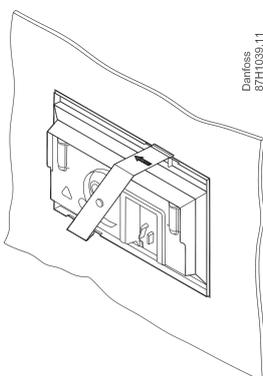
Danfoss
87H101.10

2



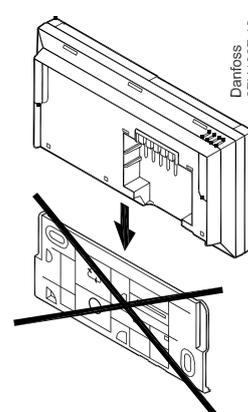
Danfoss
87H1038.10

3



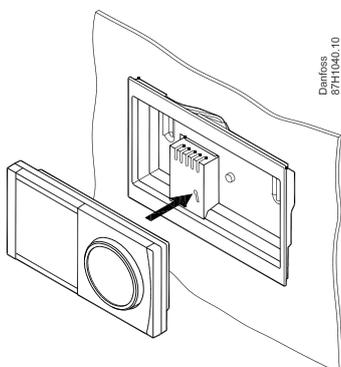
Danfoss
87H1039.11

4



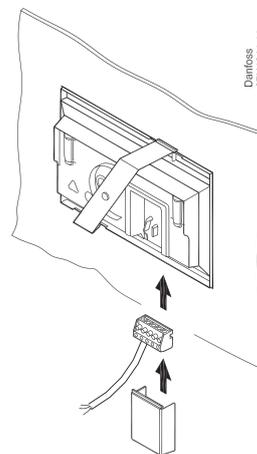
Danfoss
87H1037.10

5



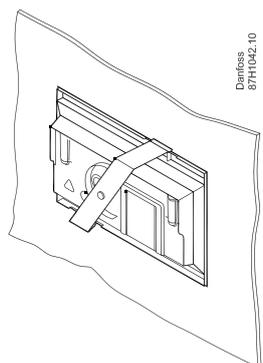
Danfoss
87H1040.10

6



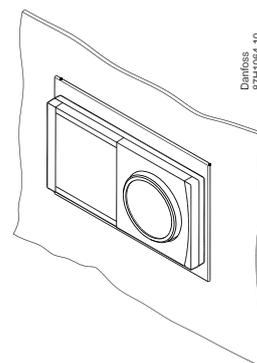
Danfoss
87H1041.11

7



Danfoss
87H1042.10

8

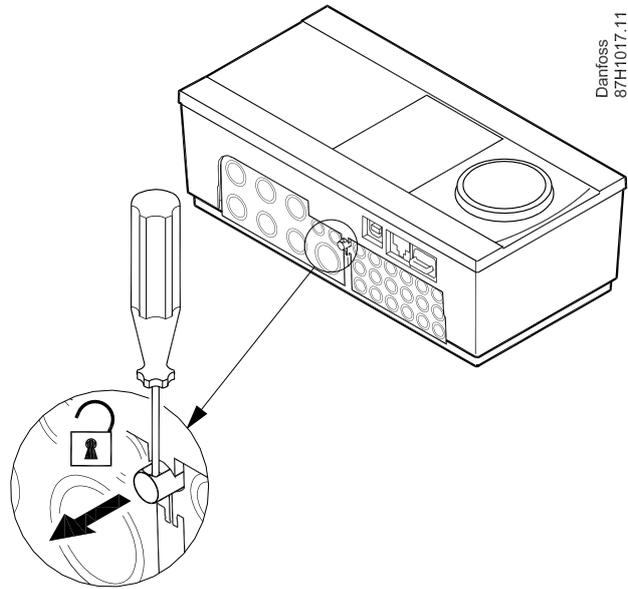


Danfoss
87H1064.10

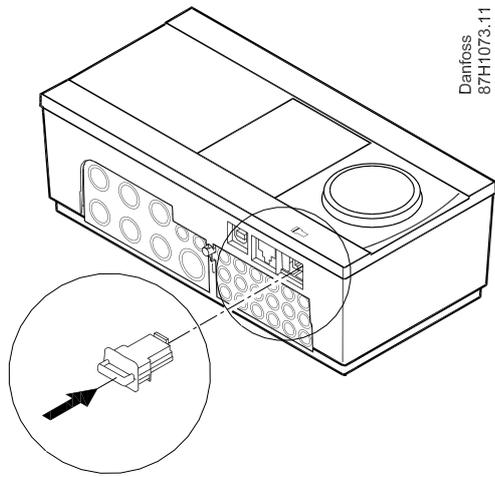
Installation Guide, ECL Comfort 210 / 296 / 310, A214 / A314



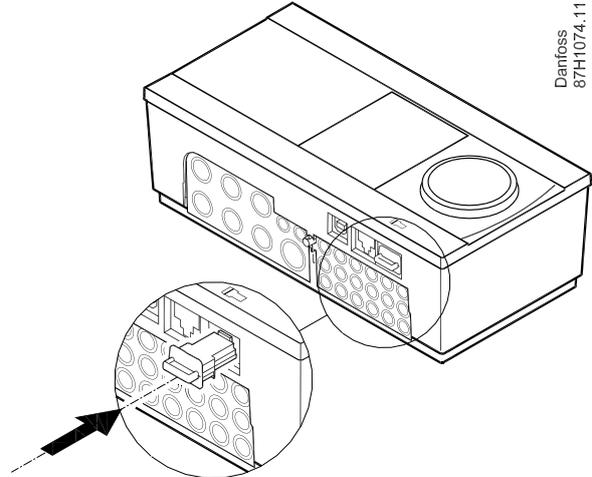
Danfoss
87H1021.11



Danfoss
87H1017.11



Danfoss
87H1073.11



Danfoss
87H1074.11

? ECL Comfort 210 / 296 / 310, A214 / A314: www.heating.danfoss.com

? <https://www.youtube.com/user/DanfossHeating>
-> Playlists -> How-to Videos -> District Energy installation videos

