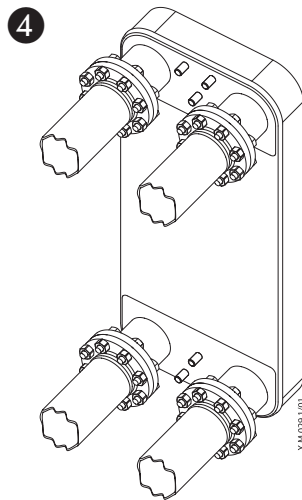
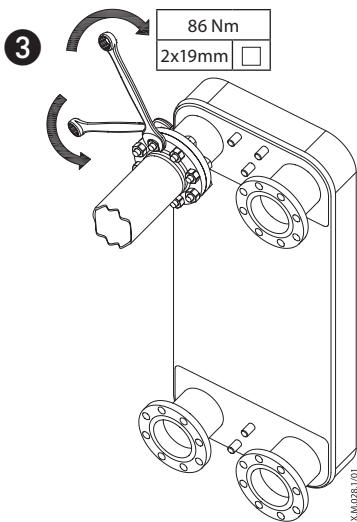
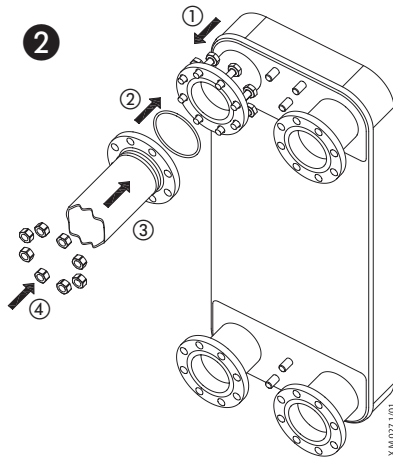
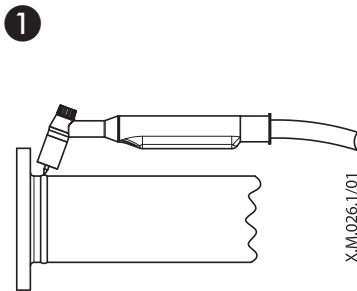


Installation Guide

XB66 Counter flange

004B3545			FDA 21 CFR Ch.I § 177.2600	Blue, Blau, Modra, Biał, Niebieski	1.4404
----------	--	--	----------------------------	------------------------------------	--------



Installation Guide XB66 Counter flange
