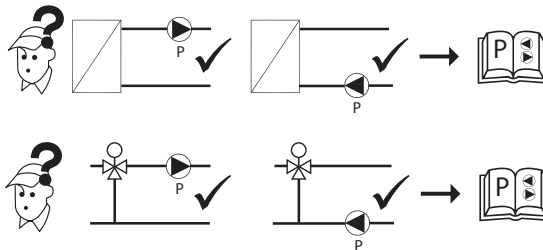
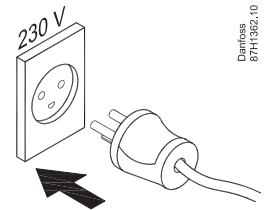
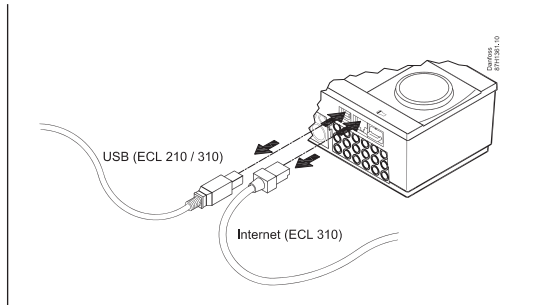
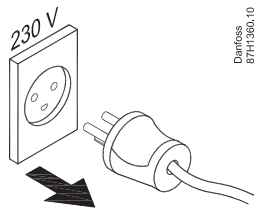
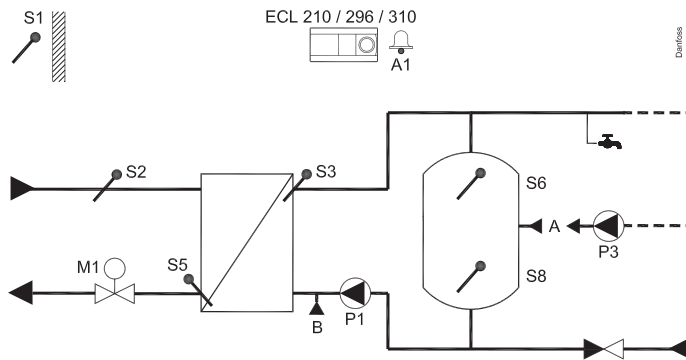


Installation Guide

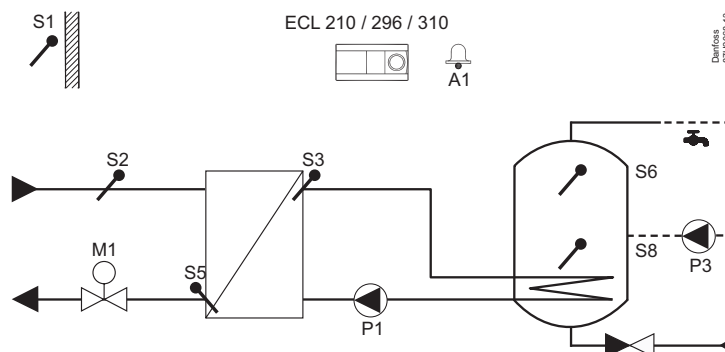
ECL Comfort 210 / 296 / 310, A217 / A317 (code no. 087H3807)



A217.1 / A317.1 (ex. a):

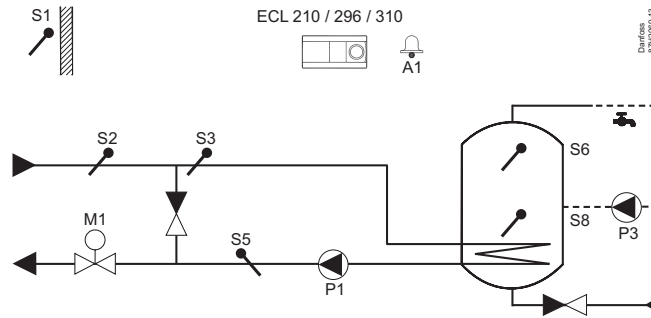


A217.1 / A317.1 (ex. b):

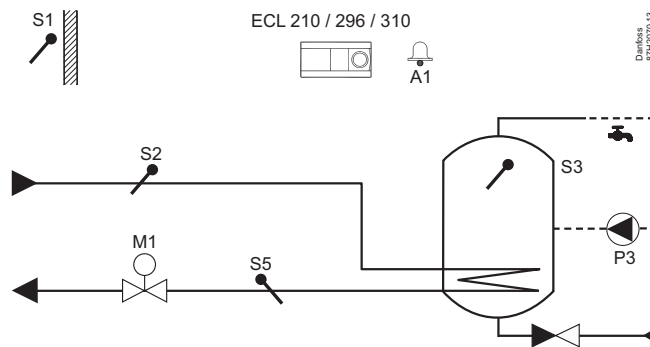


Installation Guide, ECL 210 / 296 / 310, A217 / A317

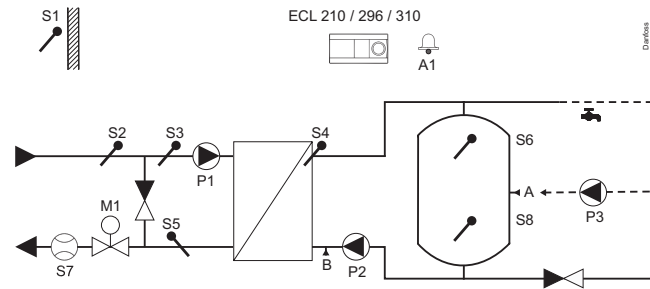
A217.1 / A317.1 (ex. c):



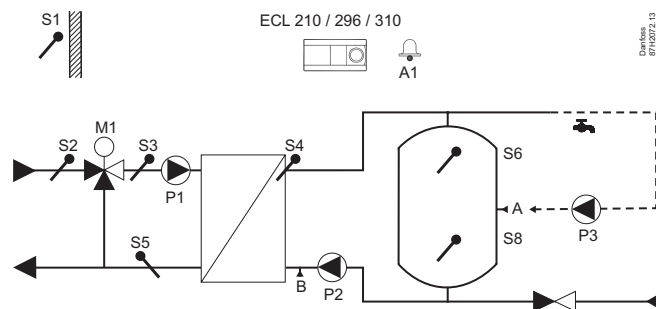
A317.1 (ex. d):



A217.2 / A317.2 (ex. a):

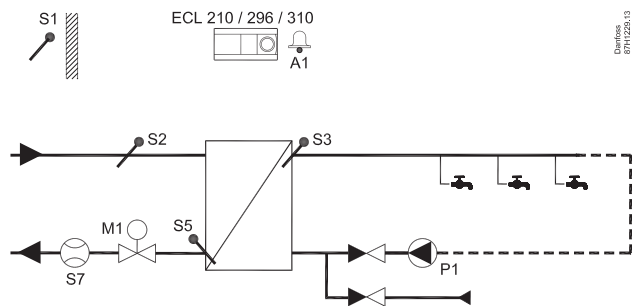


A217.2 / A317.2 (ex. b):

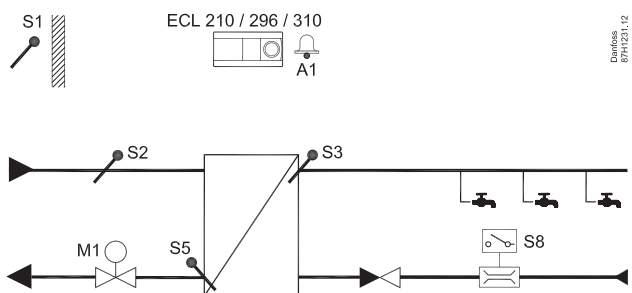


Installation Guide, ECL Comfort 210 / 296 / 310, A217 / A317

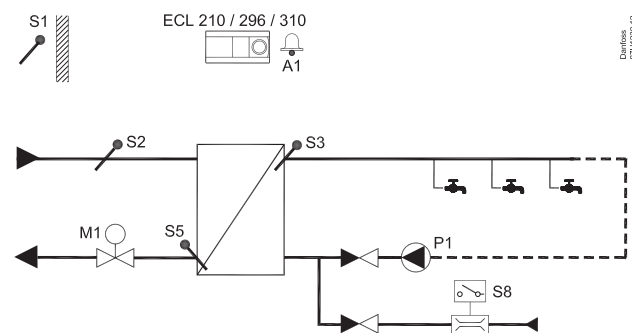
A217.3 (ex. a):



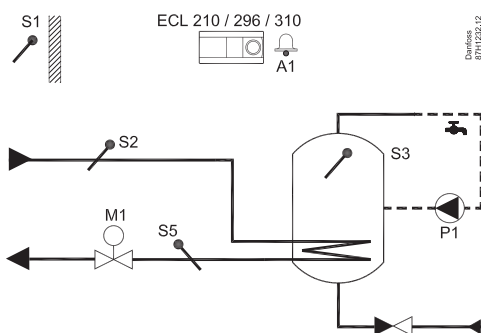
A217.3 (ex. b):



A217.3 (ex. c):



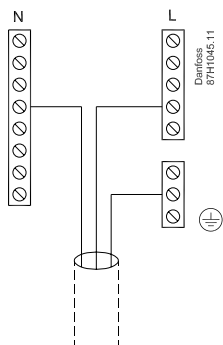
A217.3 (ex. d):



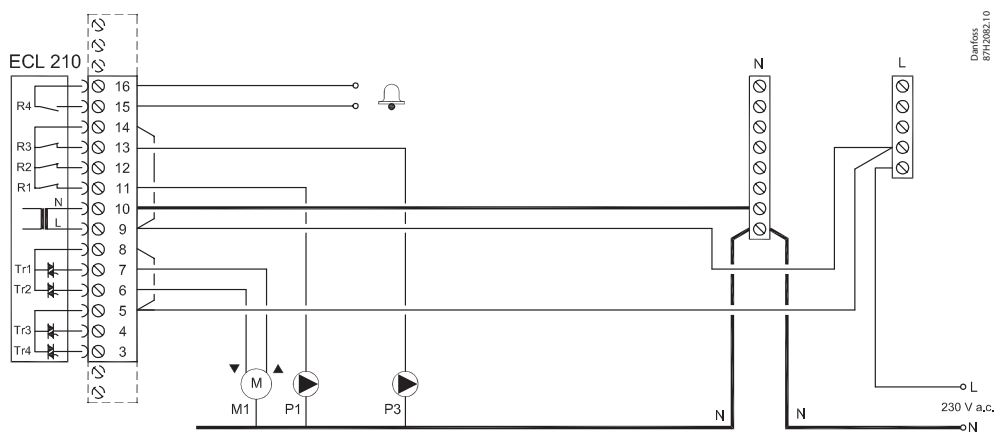
Installation Guide, ECL Comfort 210 / 296 / 310, A217 / A317

ECL Comfort 210 / 296 / 310: 230 V a.c.

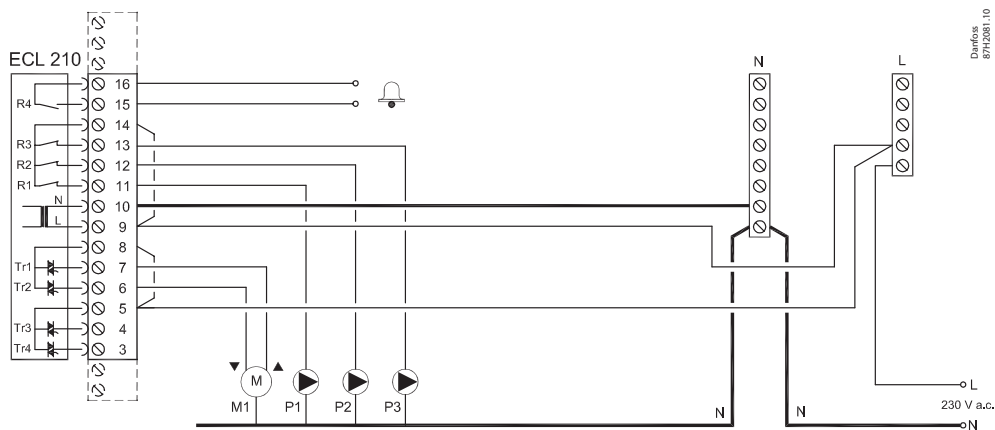
R		4 (2) A / 230 V a.c.
R		
Tr		0,2 A / 230 V a.c.



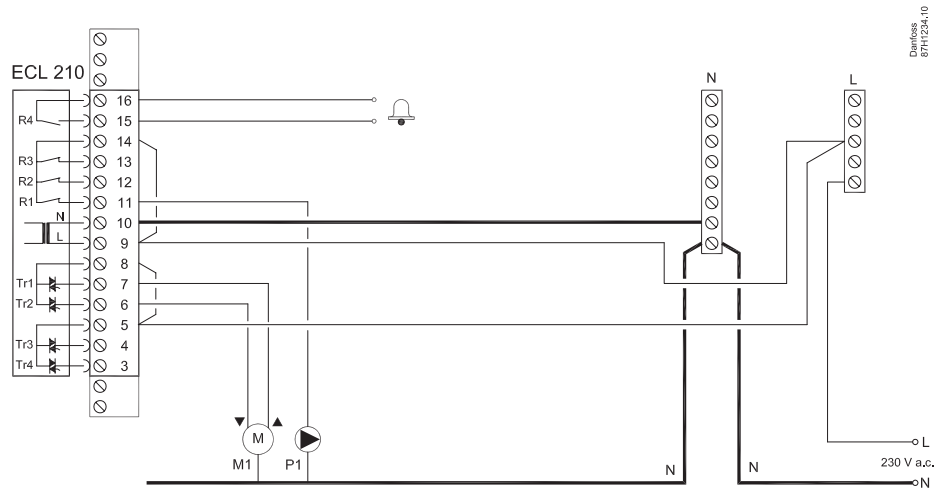
230 V a.c., A217.1



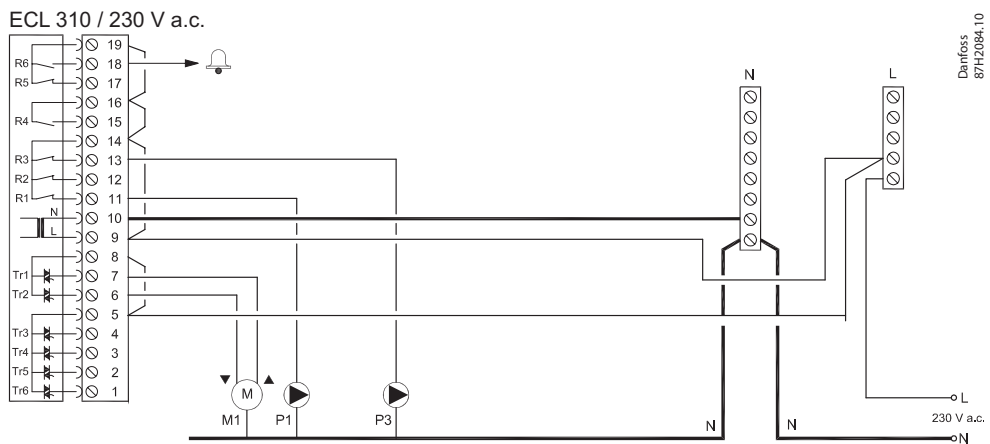
230 V a.c., A217.2



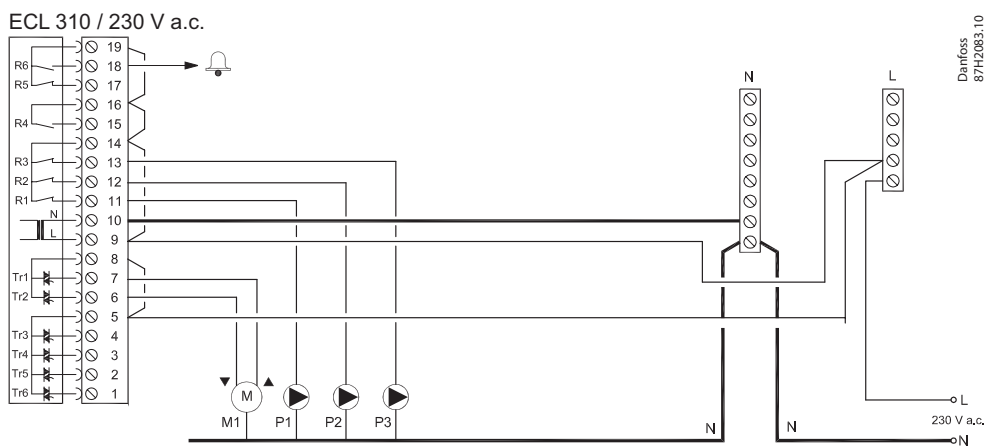
230 V a.c., A217.3



230 V a.c., A317.1



230 V a.c., A317.2



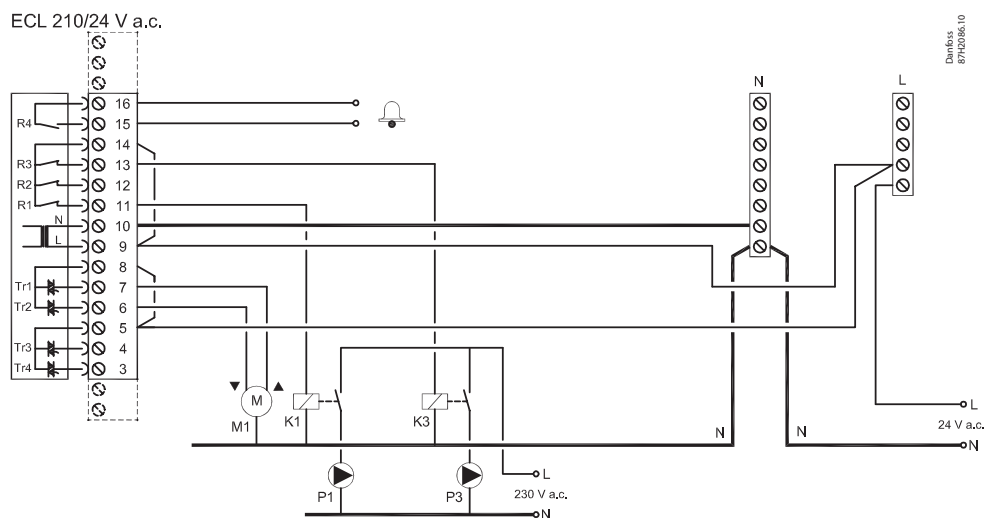
Installation Guide, ECL Comfort 210 / 296 / 310, A217 / A317

ECL Comfort 210 / 296 / 310:

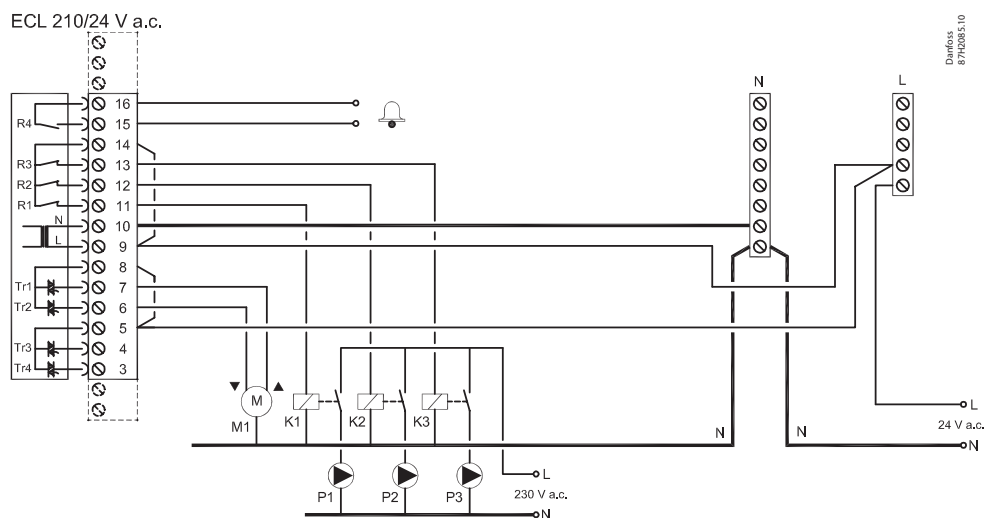
24 V a.c.

R		4 (2) A / 24 V a.c.
Tr		1 A / 24 V a.c.

24 V a.c., A217.1

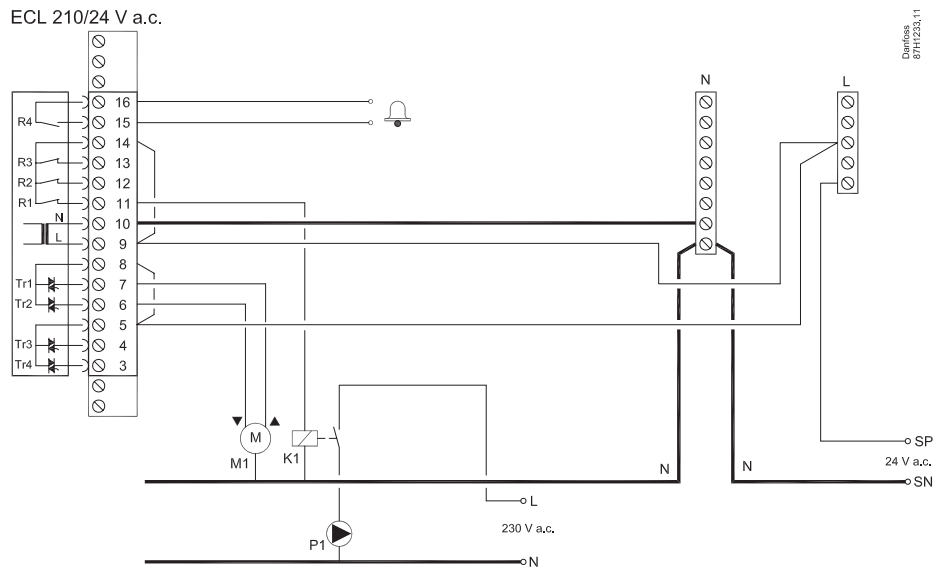


24 V a.c., A217.2

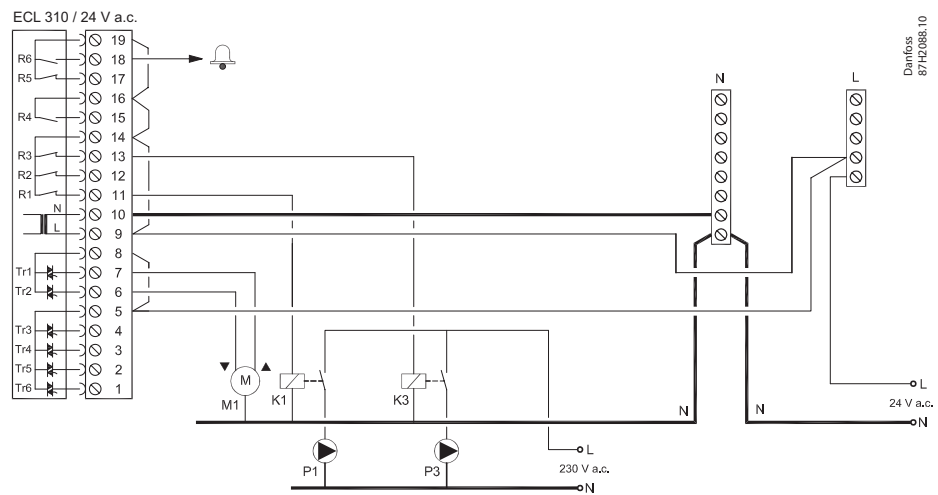


Installation Guide, ECL Comfort 210 / 296 / 310, A217 / A317

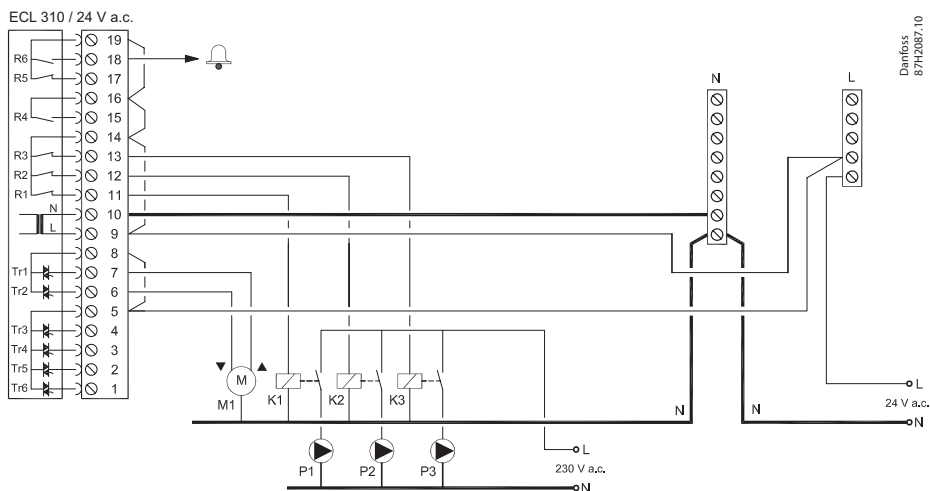
24 V a.c., A217.3



24 V a.c., A317.1

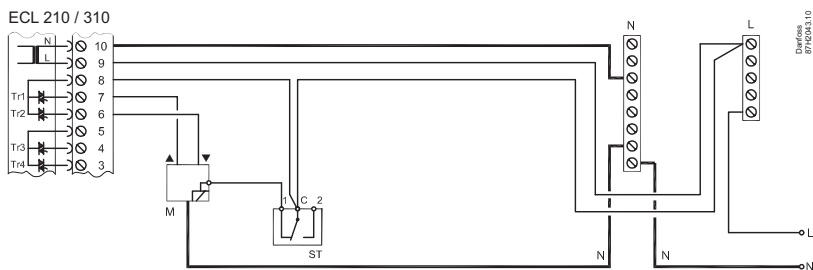


24 V a.c., A317.2



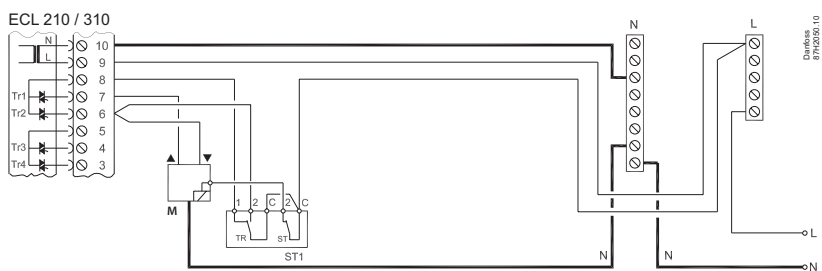
24 V a.c. / 230 V a.c. safety thermostat

1-step closing



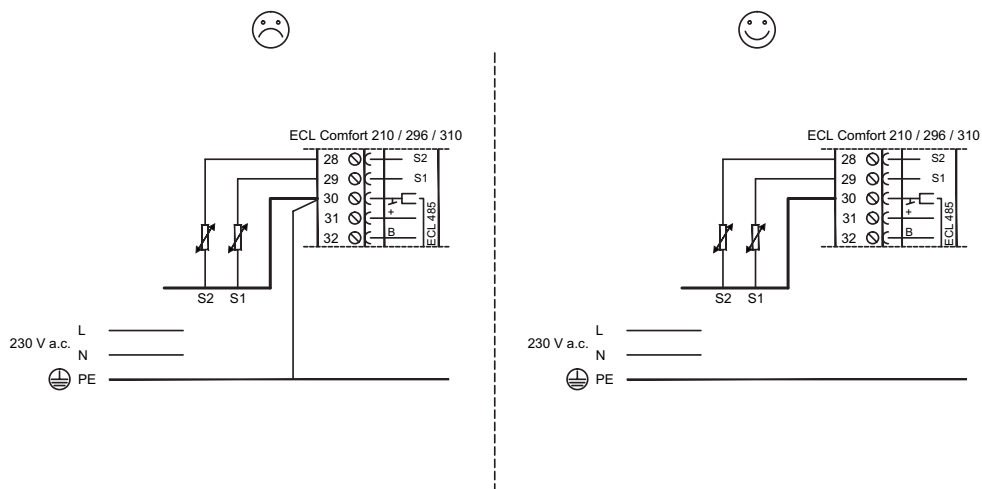
24 V a.c. / 230 V a.c. safety thermostat

2-step closing



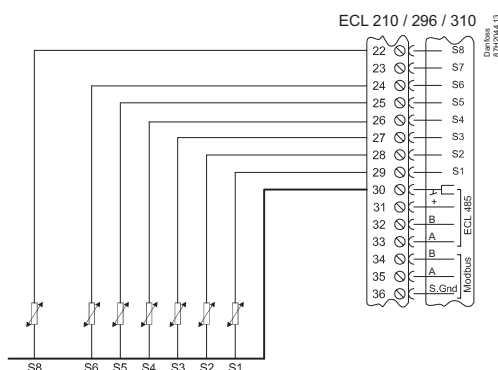
Installation Guide, ECL Comfort 210 / 296 / 310, A217 / A317

Pt 100 (1000 Ω / 0 °C)

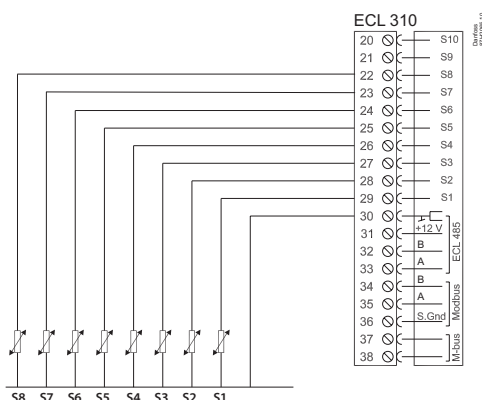


Danfoss
87H1487.11

Pt 100 (1000 Ω / 0 °C)
A217.1

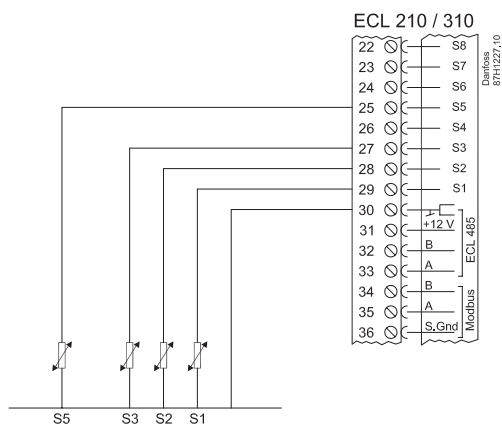


Pt 100 (1000 Ω / 0 °C)
A217.2

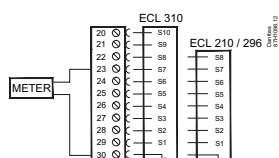
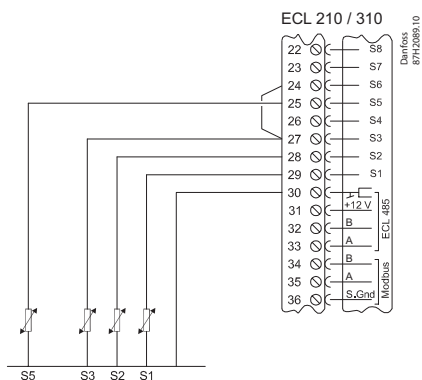


Installation Guide, ECL Comfort 210 / 296 / 310, A217 / A317

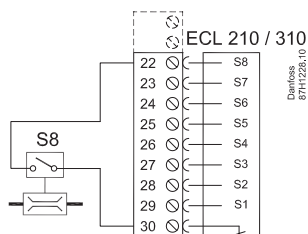
Pt 1000 (1000 Ω / 0 °C)
A217.3



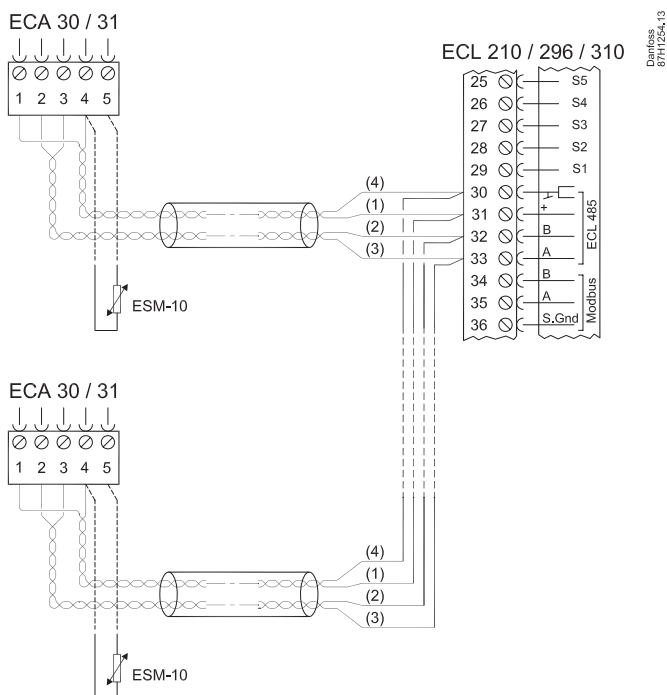
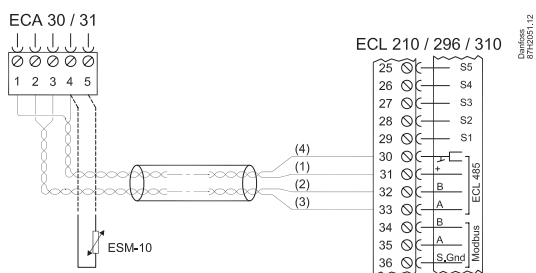
A217.1 / A317.1 (ex. d):



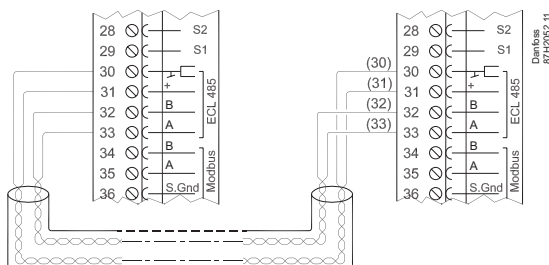
A217.3



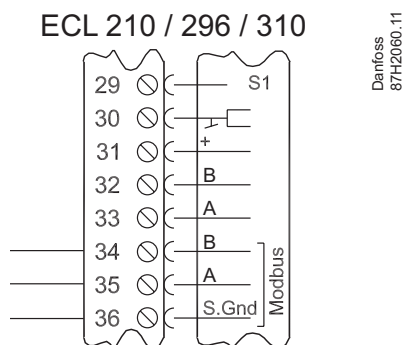
ECA 30 / 31



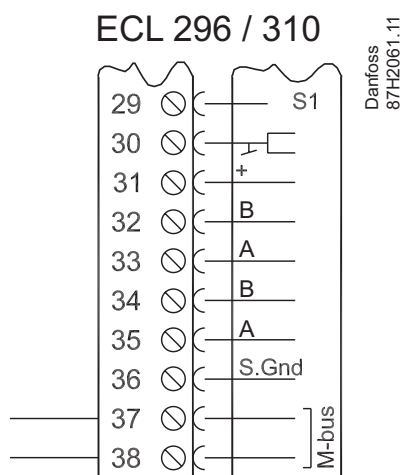
Master / slave



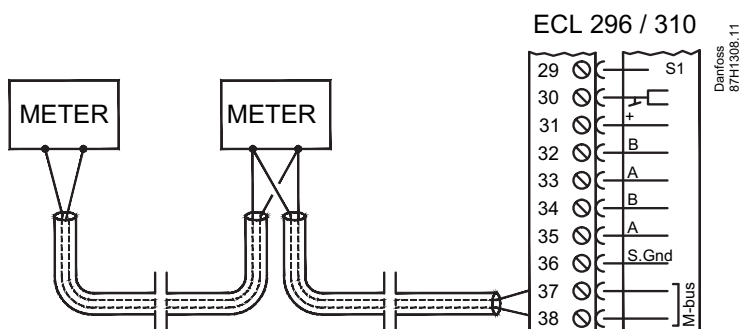
Modbus



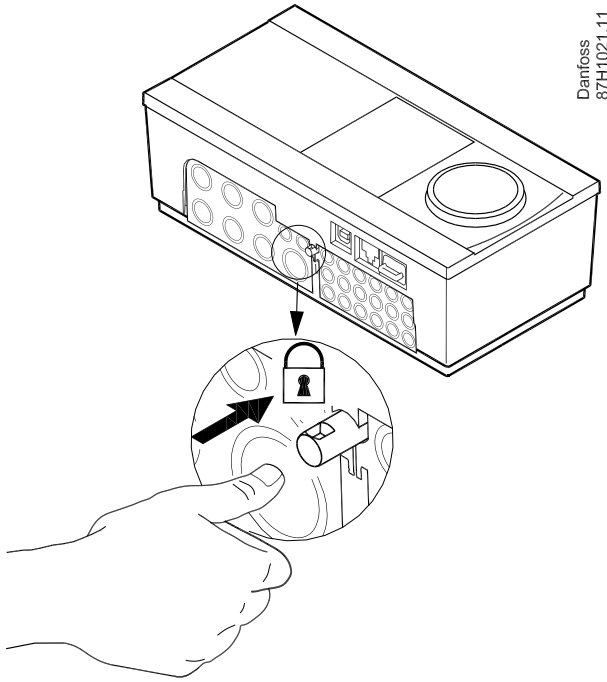
M-bus



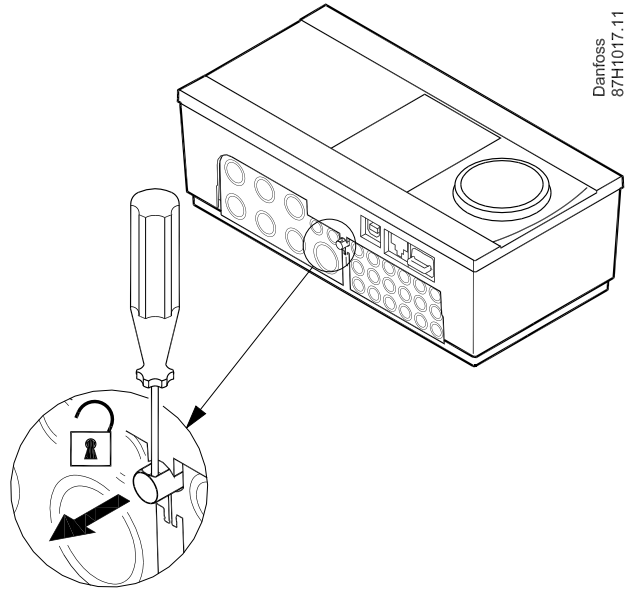
M-bus



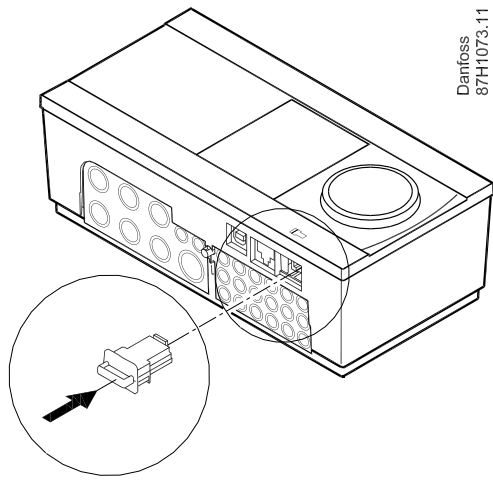
Installation Guide, ECL Comfort 210 / 296 / 310, A217 / A317



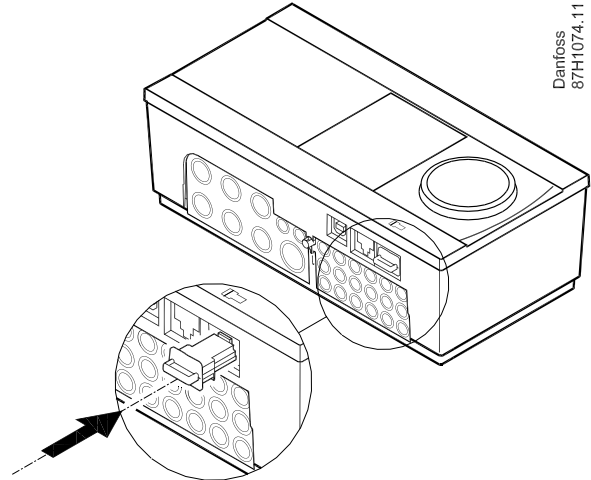
Danfoss
87H1021.11



Danfoss
87H1017.11



Danfoss
87H1073.11



Danfoss
87H1074.11

? ECL Comfort 210 / 296 / 310, A217 / A317: www.heating.danfoss.com

? <https://www.youtube.com/user/DanfossHeating>
-> Playlists -> How-to Videos -> District Energy installation videos

