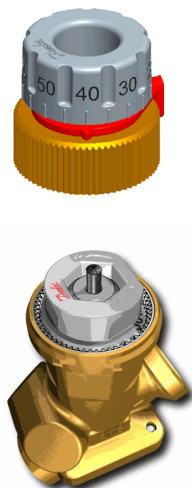


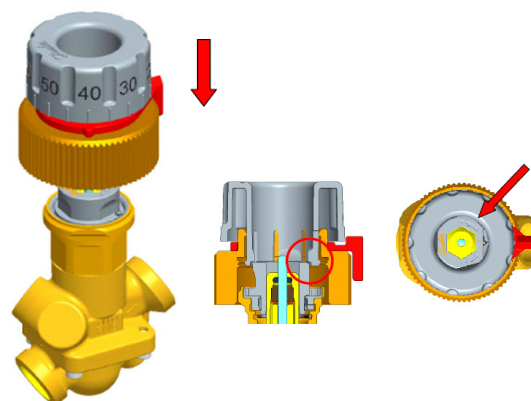
Installation Guide

AB-QM (DN 10-32) Setting tool



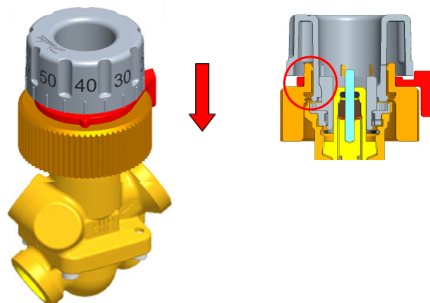
Setting procedure:

Step 1a. Positioning of pre-setting tool



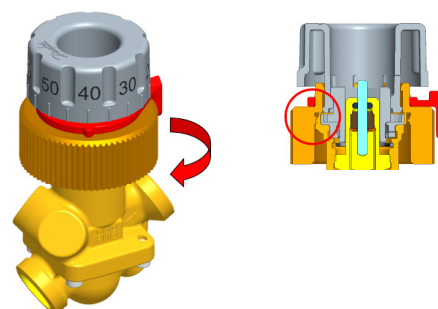
Setting procedure:

Step 1b. Positioning of pre-setting tool



Setting procedure:

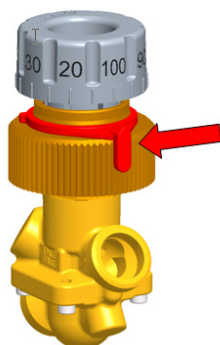
Step 2. Mounting of lower part (1/2 turn)



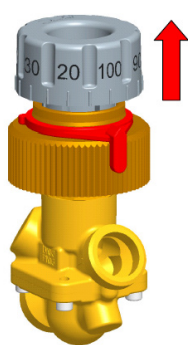
Setting procedure:

Step 3a. Pre-setting (factory setting is 100%)

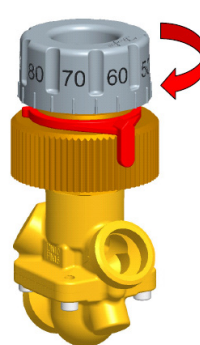
Position of indicator ring



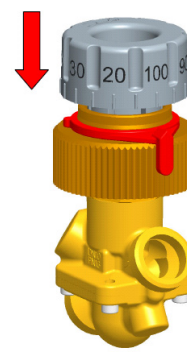
Button up



Button rotating of desired setting



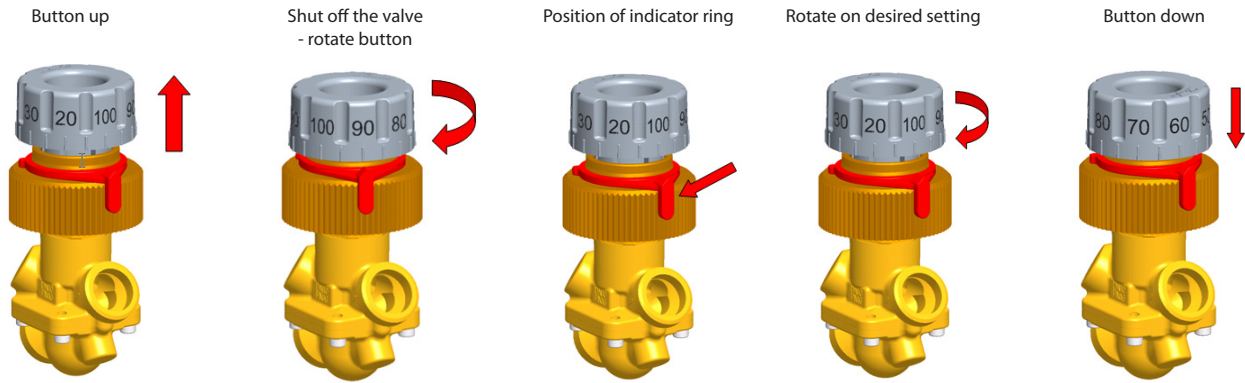
Button down



Installation Guide AB-QM (DN 10-32) Setting tool

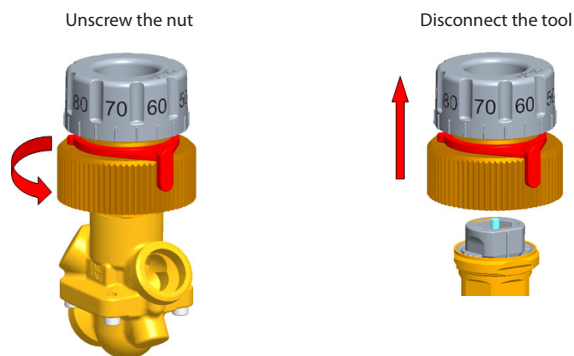
Setting procedure:

Step 3b. Pre-setting (factory setting is 100%)



Setting procedure:

Step 4. Demounting the tool



Danfoss can accept no responsibility for possible errors in catalogues, brochures and other printed material. Danfoss reserves the right to alter its products without notice. This also applies to products already on order provided that such alterations can be made without consequential changes being necessary in specifications already agreed. All trademarks in this material are property of the respective companies. Danfoss and the Danfoss logotype are trademarks of Danfoss A/S. All rights reserved.