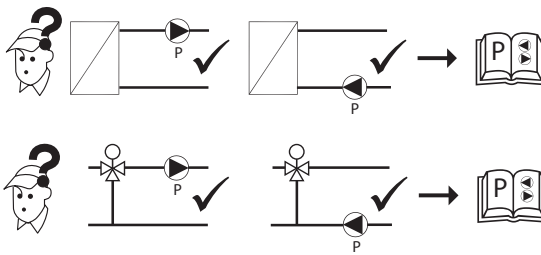
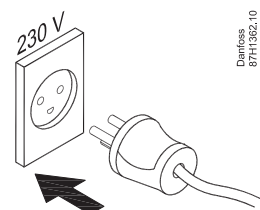
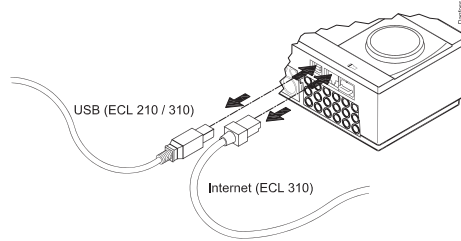
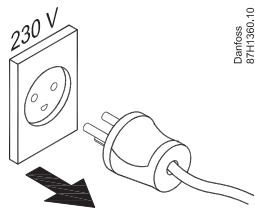
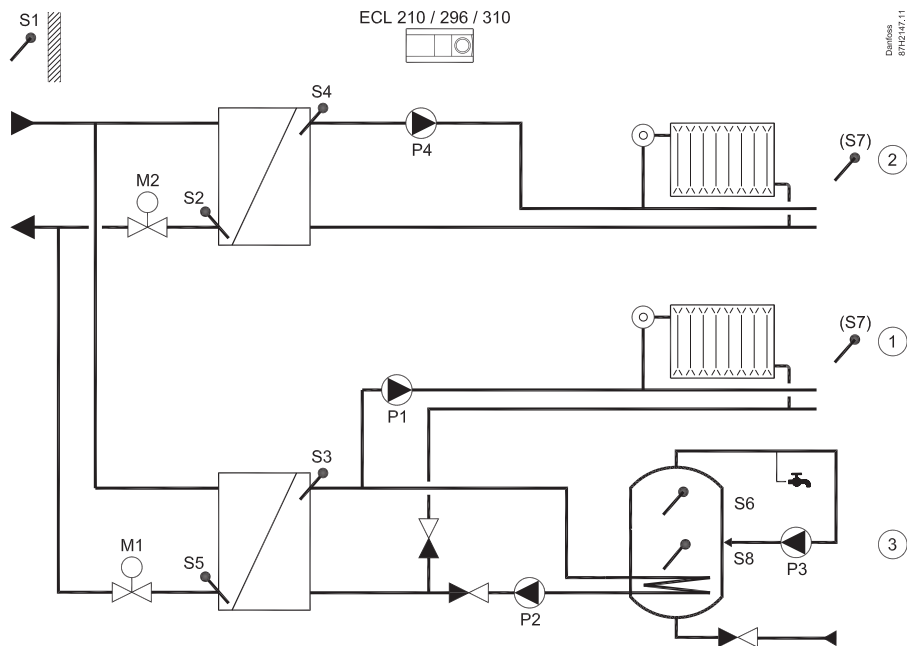


Installation Guide

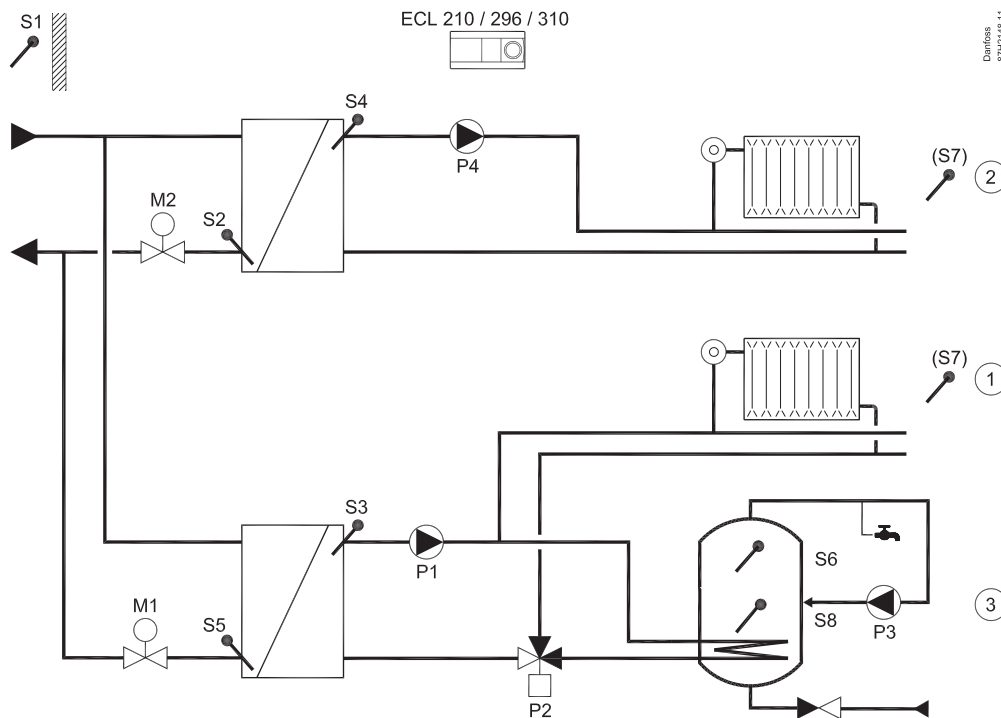
ECL Comfort 210 / 296 / 310, A267 (code no. 087H3816)



A267.1 (ex. a):

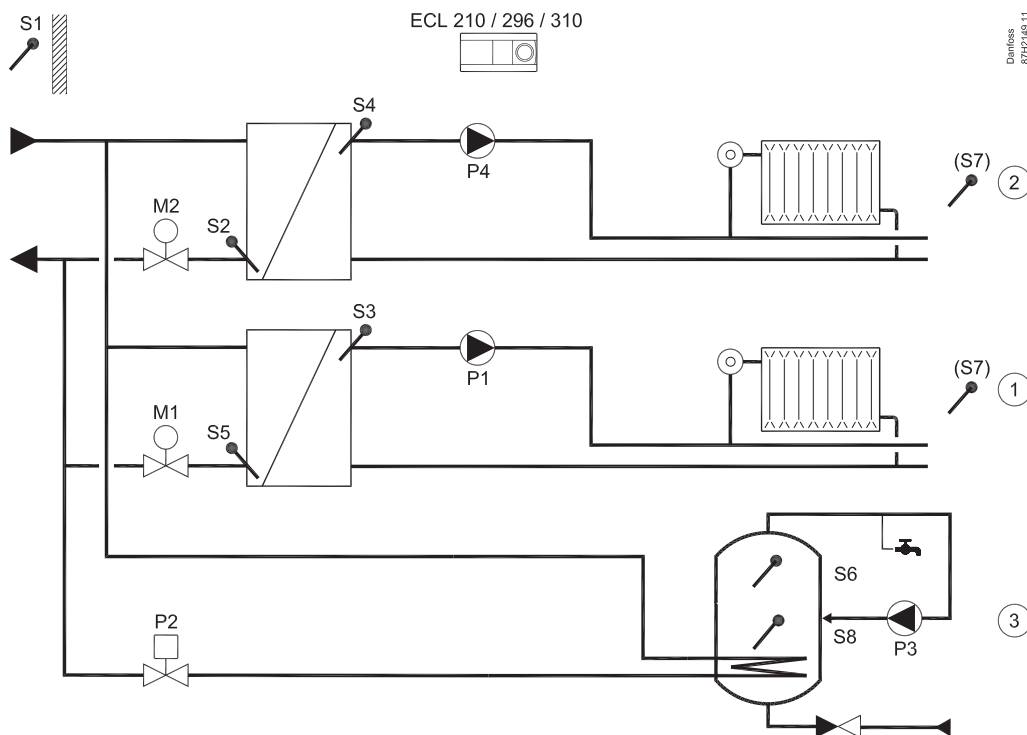


A267.1 (ex. b):



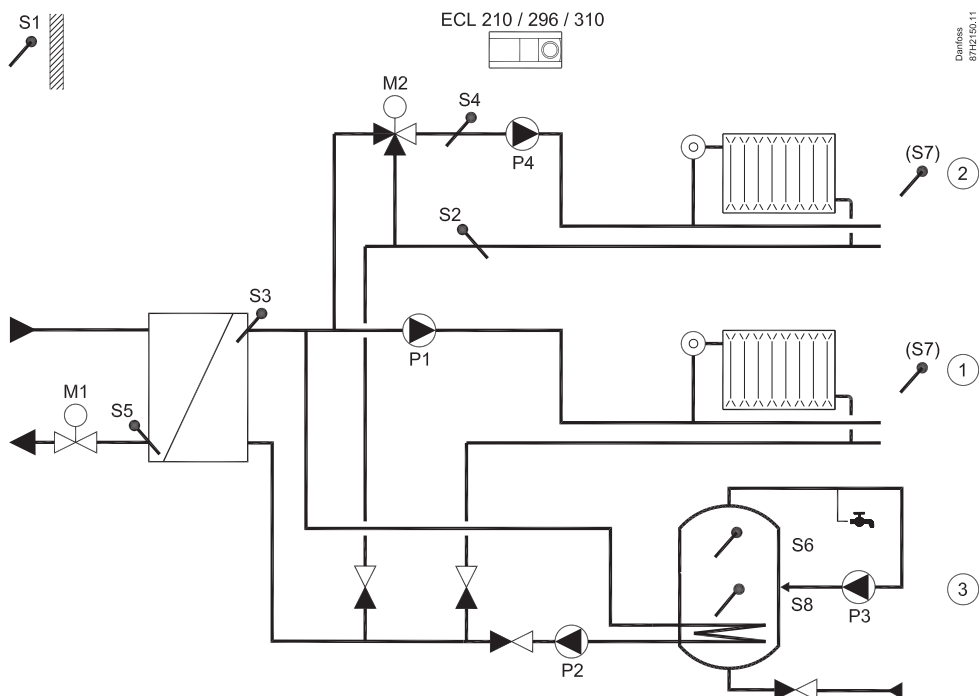
Danfoss
87H2149.11

A267.1 (ex. c):

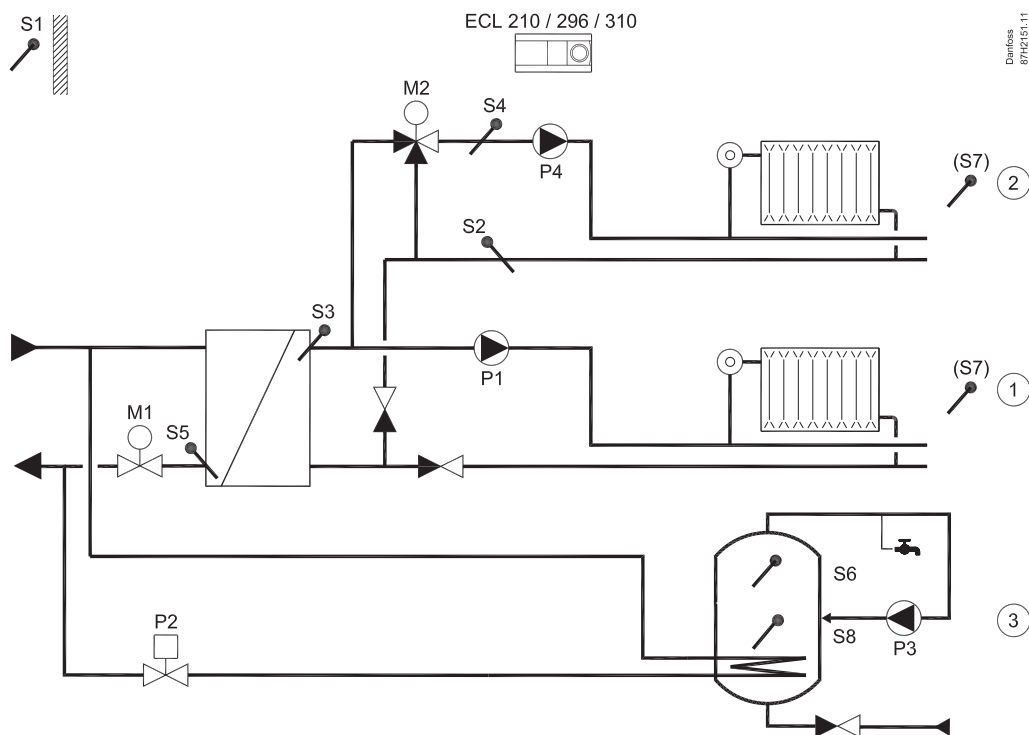


Danfoss
87H2149.11

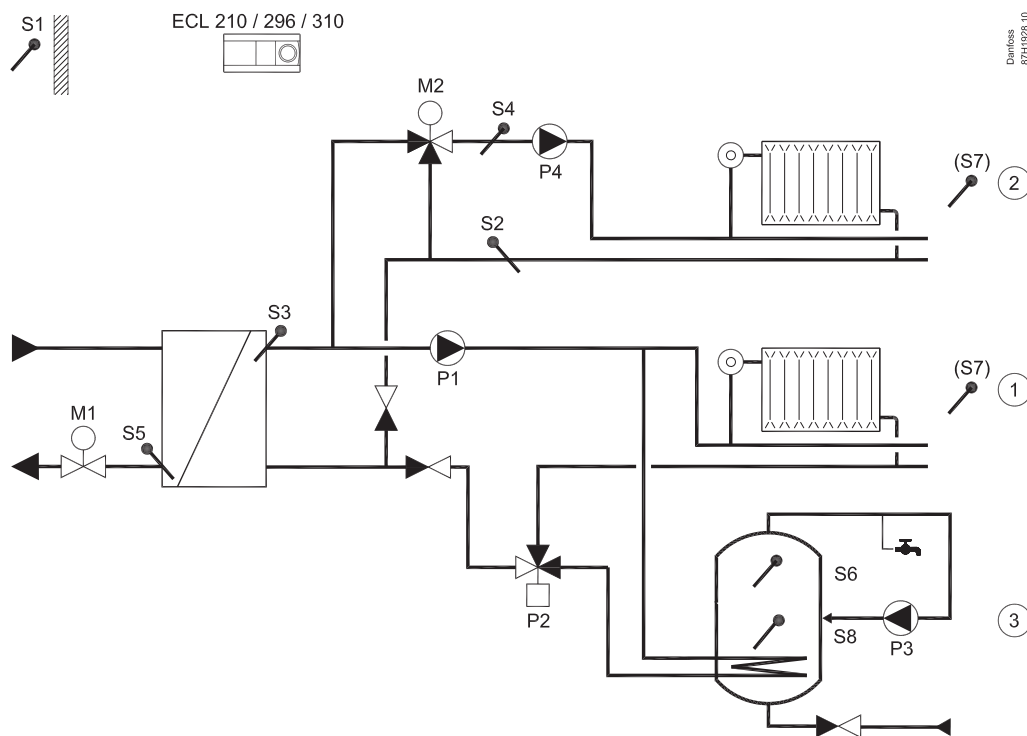
A267.1 (ex. d):



A267.1 (ex. e):

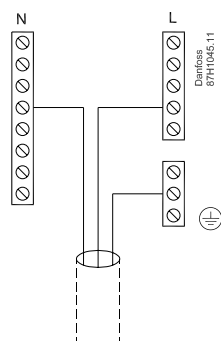


A267.1, ex. f:



ECL Comfort 210 / 296 / 310:
230 V a.c.

R		4 (2) A / 230 V a.c.
R		
Tr		0,2 A / 230 V a.c.

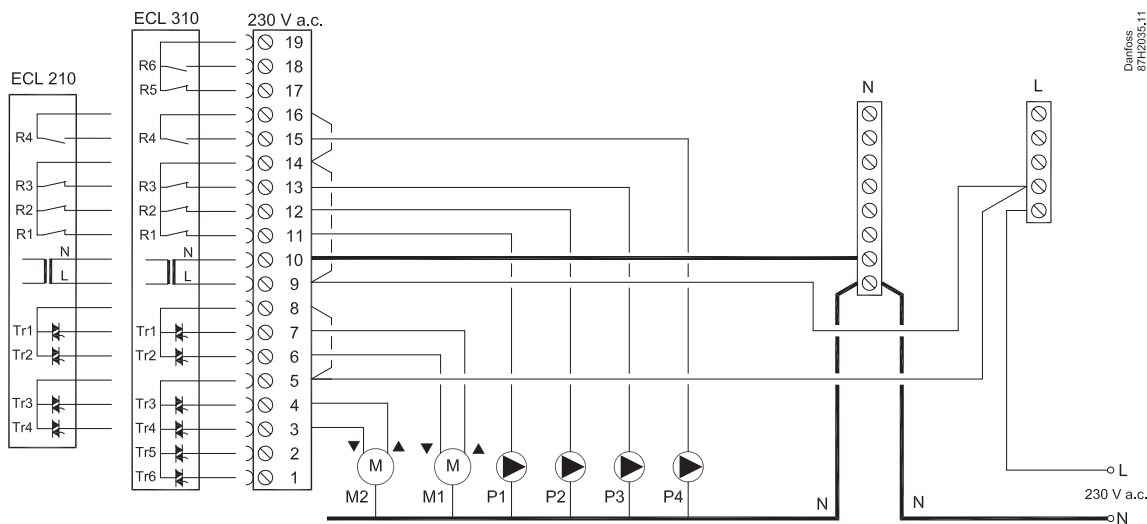


230 V a.c.

A267.1 ex. a, A267.1 ex. d: P2

A267.1 ex. b, A267.1 ex. f: P2

A267.1 ex. c, A267.1 ex. e: P2



Danfoss
87H2035.11

ECL Comfort 310:

24 V a.c.

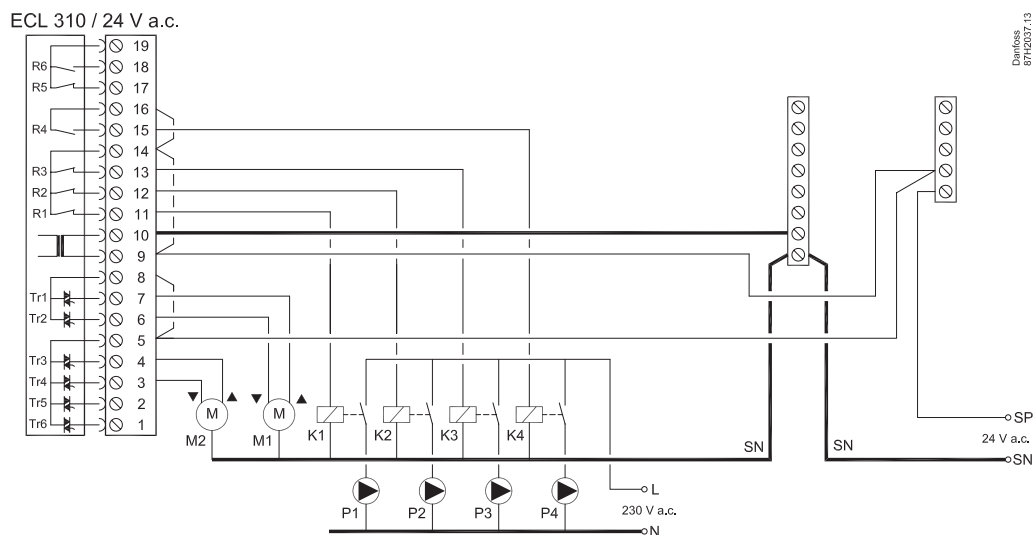
R	4 (2) A / 24 V a.c.
Tr	1 A / 24 V a.c.

24 V a.c.

A267.1 ex. a, A267.1 ex. d: P2

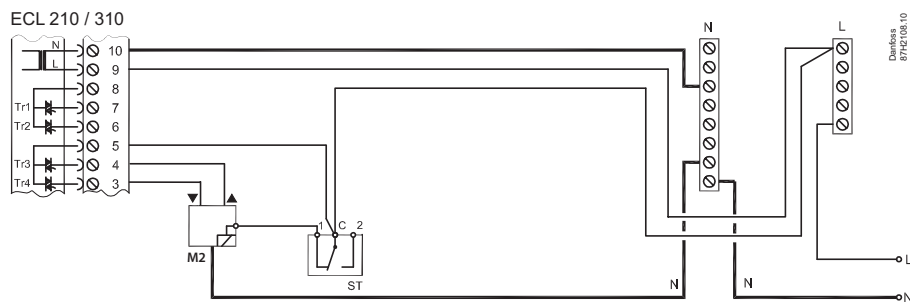
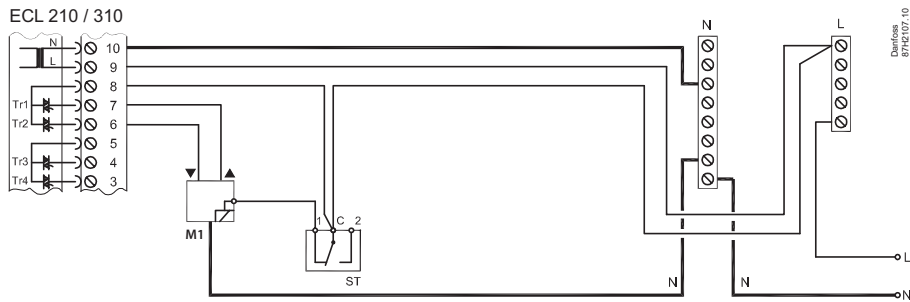
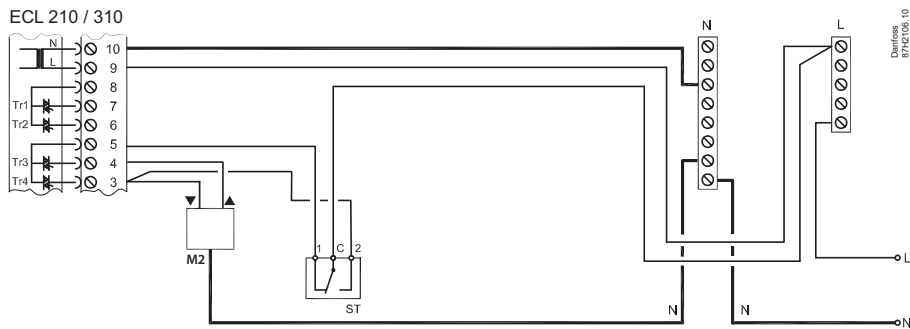
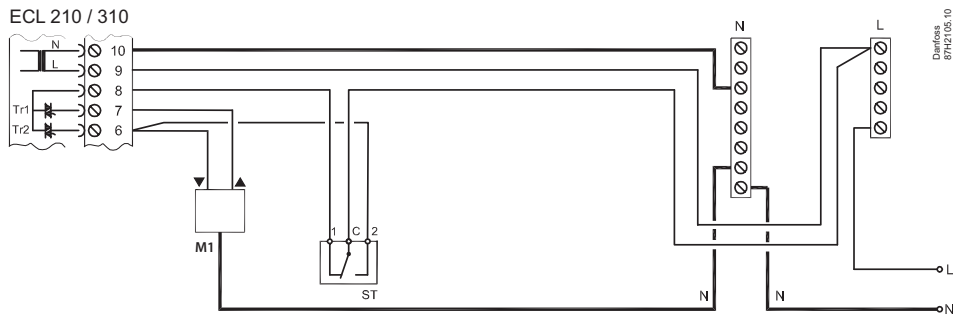
A267.1 ex. b, A267.1 ex. f: P2

A267.1 ex. c, A267.1 ex. e: P2

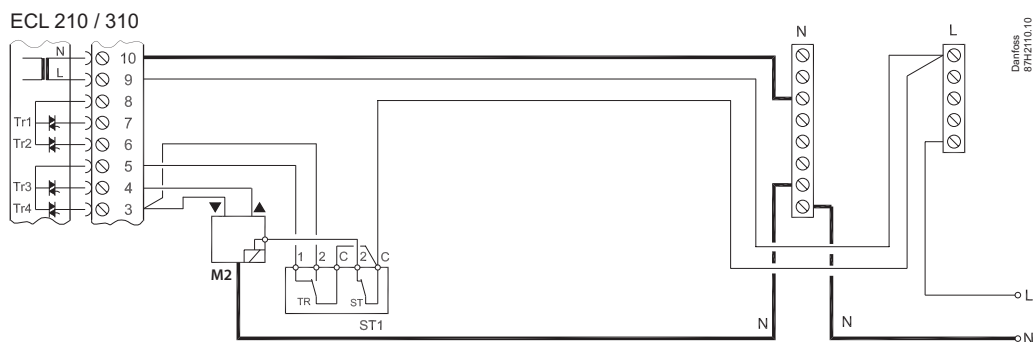
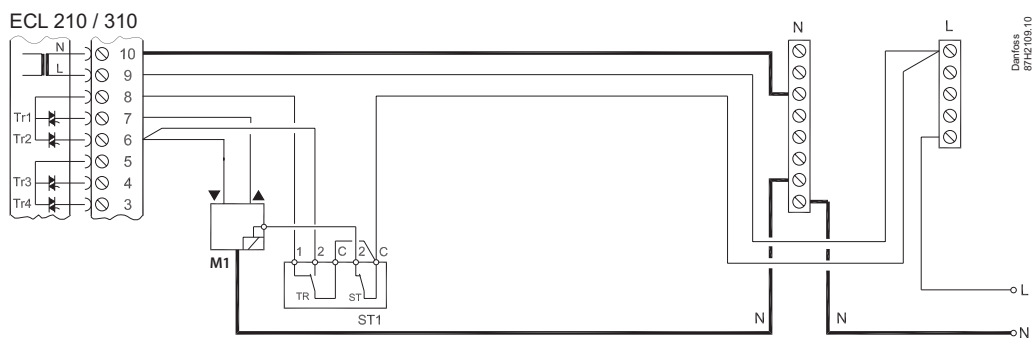


Danfoss
87H2037.13

230 V a.c. / 24 V a.c. safety thermostat
1-step closing



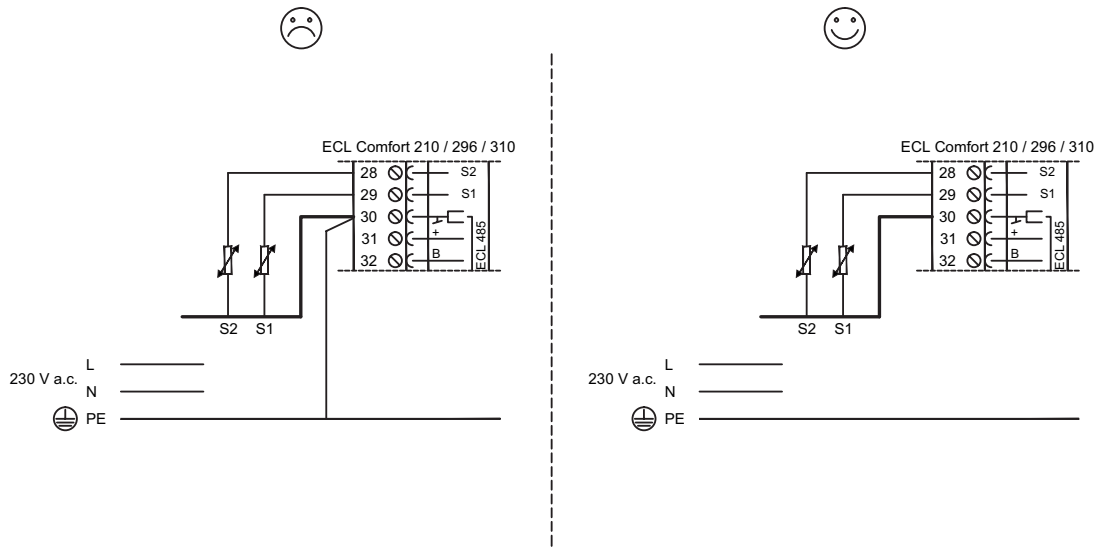
230 V a.c. / 24 V a.c. safety thermostat
2-step closing



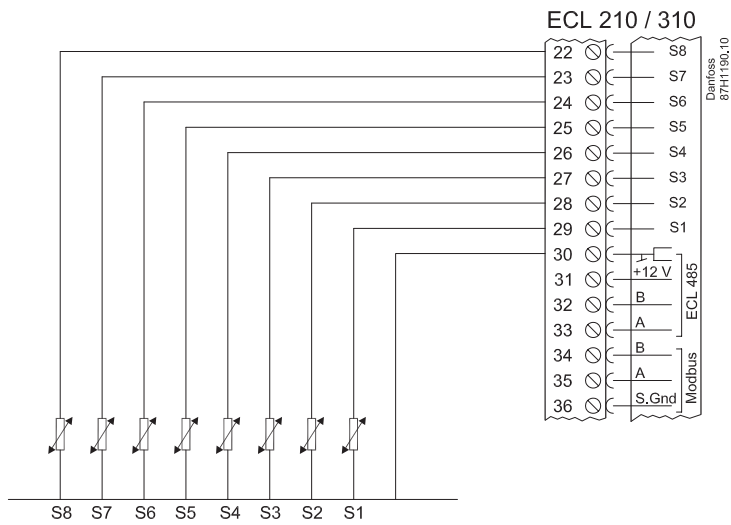
Installation Guide, ECL Comfort 210 / 296 / 310, A267

A267 (ECL 210)

Pt 1000 (1000 Ω / 0 °C)

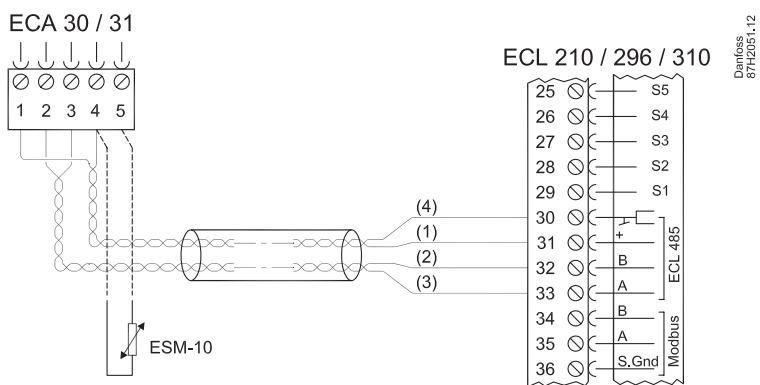


Danfoss
87H1487,11

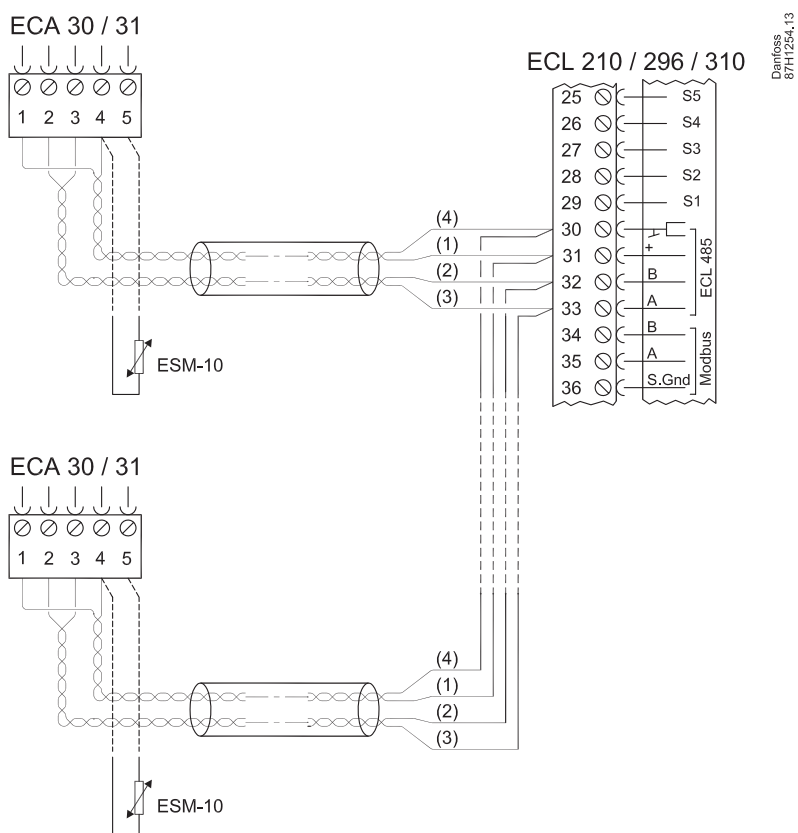


Danfoss
87H1190,10

ECA 30 / 31

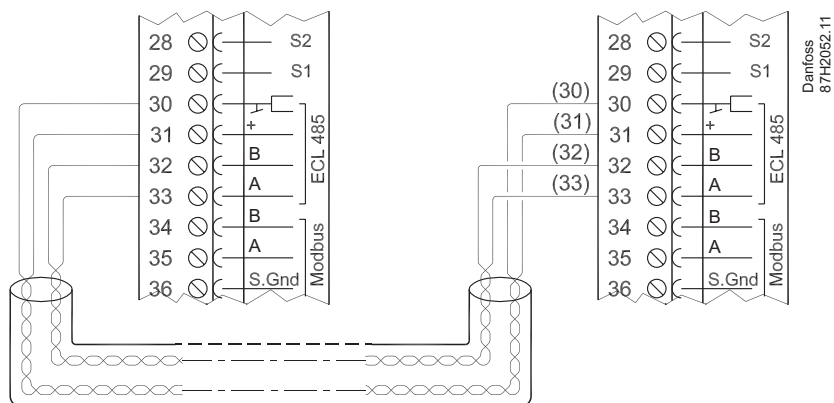


Danfoss
87H2051.12



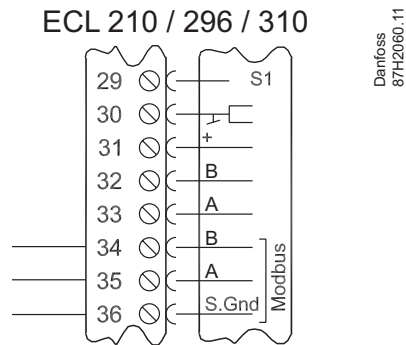
Danfoss
87H1254.13

Master / slave

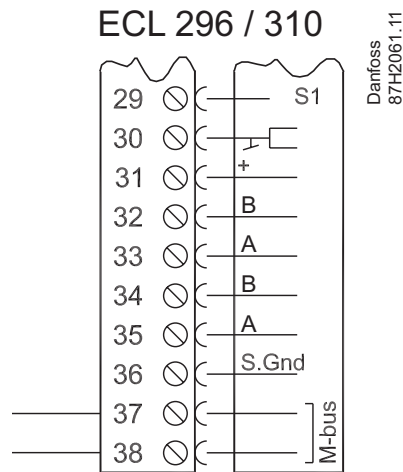


Danfoss
87H2052.11

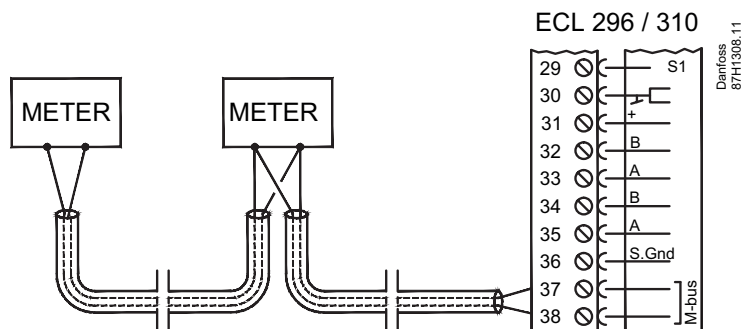
Modbus



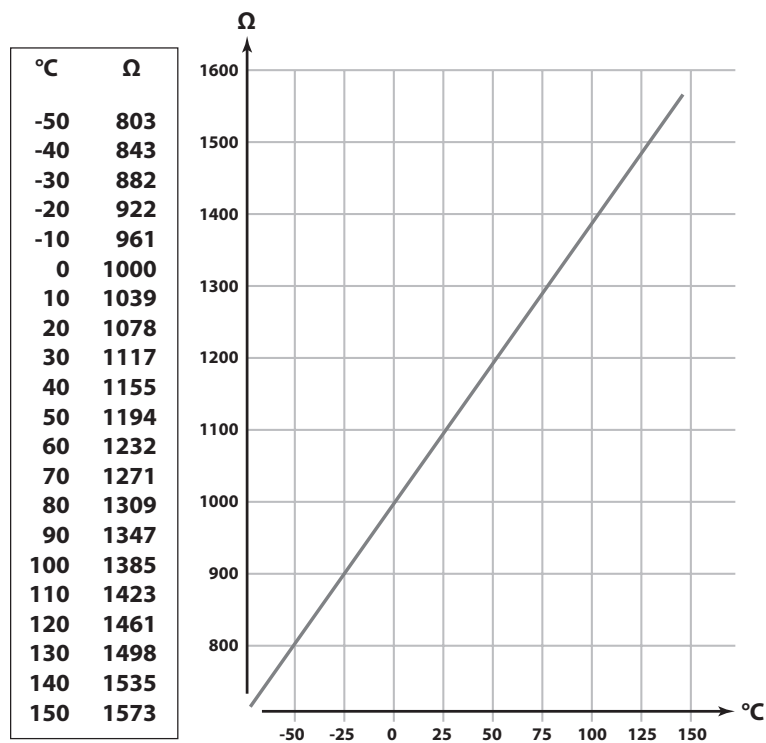
M-bus



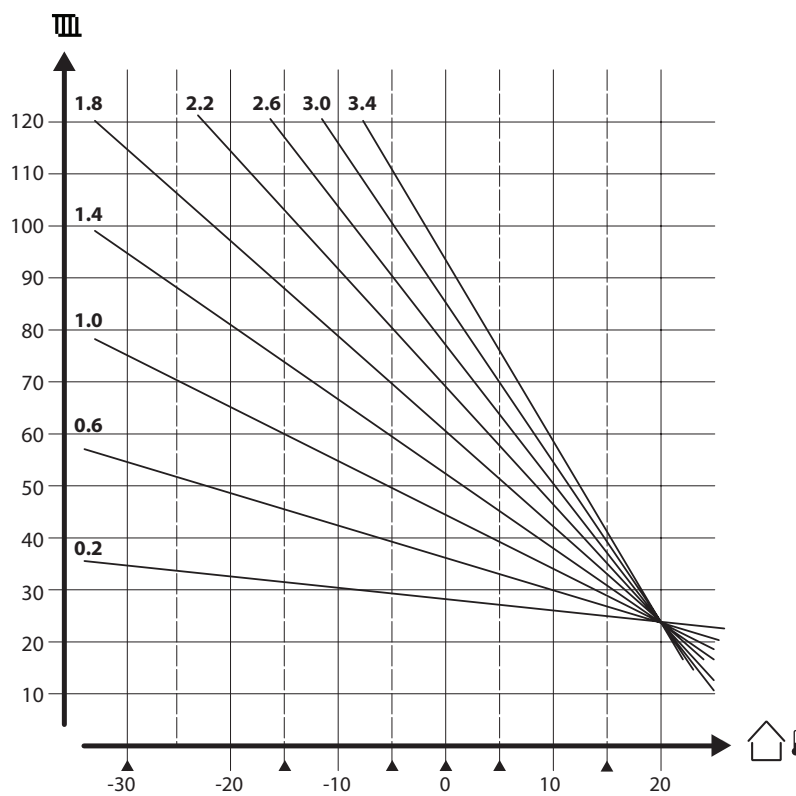
M-bus



Pt 1000 (IEC 751B, 1000 Ω / 0 °C)

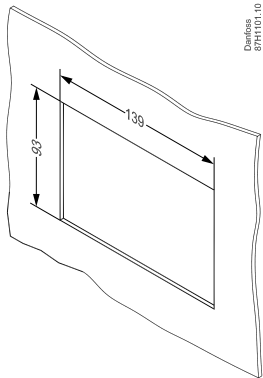


Heat curves



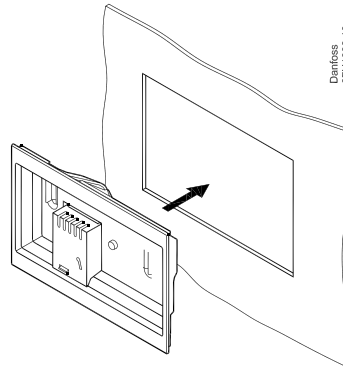
ECA 30

1



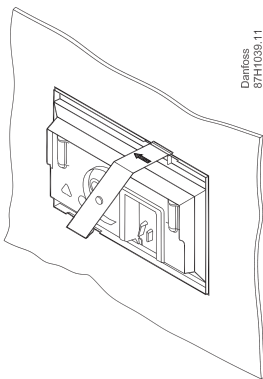
Danfoss
87H101.10

2



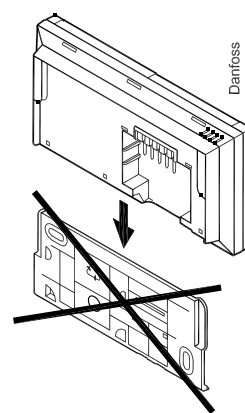
Danfoss
87H1036.10

3



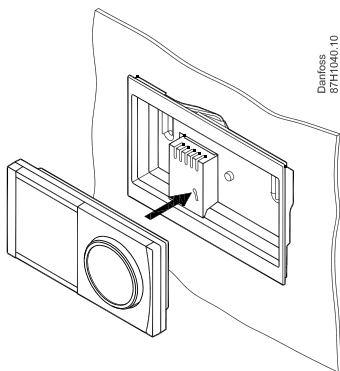
Danfoss
87H1039.11

4



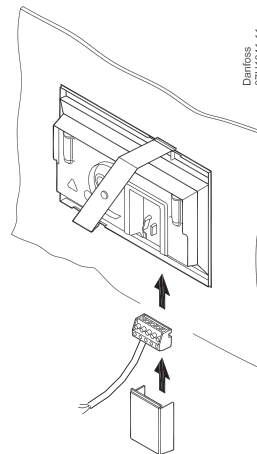
Danfoss
87H1037.10

5



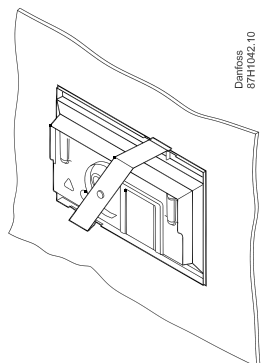
Danfoss
87H1040.10

6



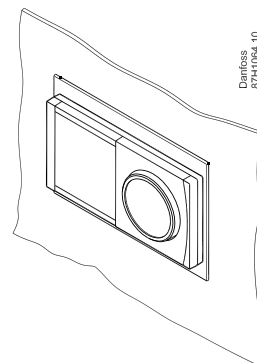
Danfoss
87H1041.11

7



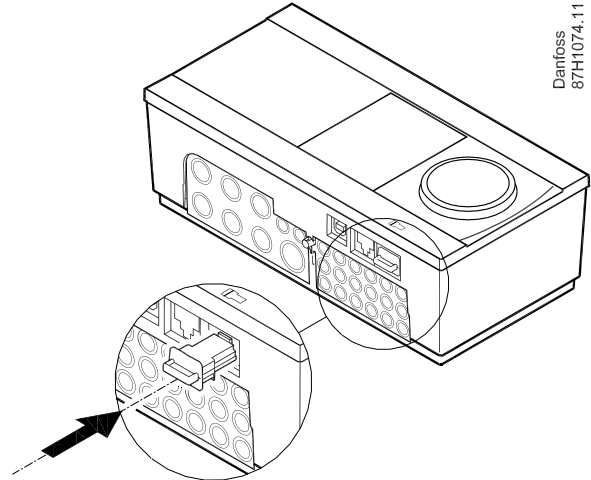
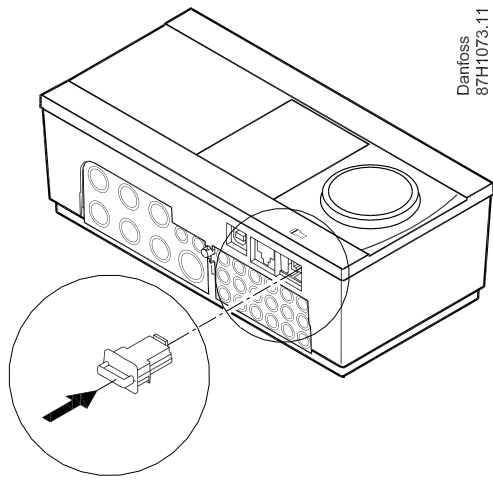
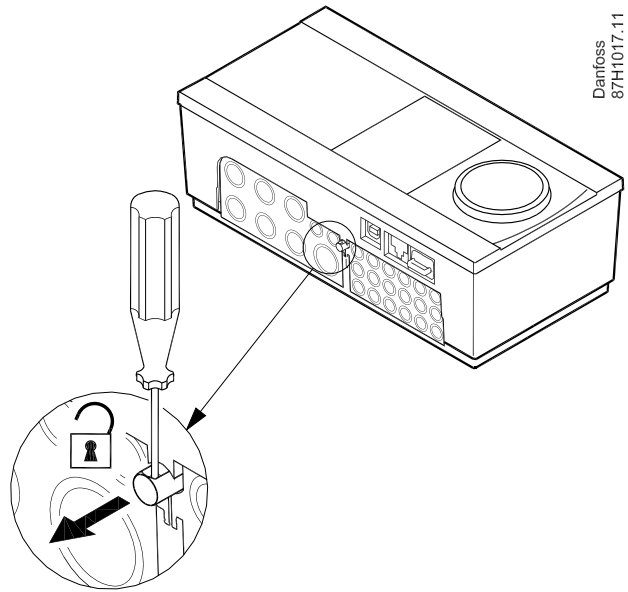
Danfoss
87H1042.10

8



Danfoss
87H1064.10

Installation Guide, ECL Comfort 210 / 296 / 310, A267



? ECL Comfort 210 / 296 / 310, A267: www.heating.danfoss.com

? <https://www.youtube.com/user/DanfossHeating>
-> Playlists -> How-to Videos -> District Energy installation videos



Danfoss A/S
Heating Segment • danfoss.com • +45 7488 2222 • E-Mail: heating@danfoss.com

Danfoss can accept no responsibility for possible errors in catalogues, brochures and other printed material. Danfoss reserves the right to alter its products without notice. This also applies to products already on order provided that such alterations can be made without subsequent changes being necessary in specifications already agreed. All trademarks in this material are property of the respective companies. Danfoss and all Danfoss logotypes are trademarks of Danfoss A/S. All rights reserved.