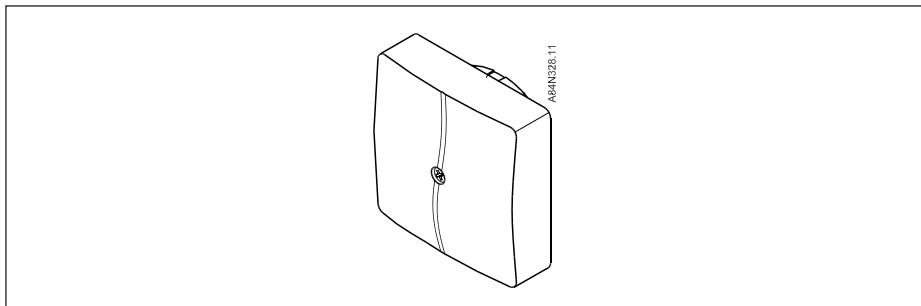




087R9712

087R9712



DEUTSCH

**ESMT
Außentemperaturfühler**

Seite 2

ITALIANO

**ESMT
sonda per temperatura esterna**

Pagina 2

? **ESMT: www.heating.danfoss.com**

? **<https://www.youtube.com/user/DanfossHeating>
-> Playlists -> How-to Videos -> District Energy installation videos**



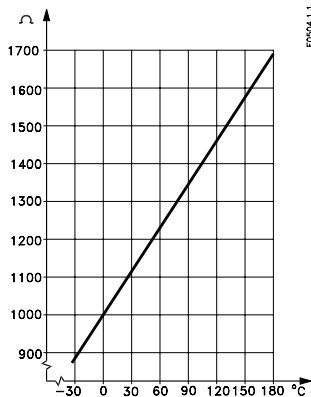
Danfoss A/S

Heating Segment • danfoss.com • +45 7488 2222 • E-Mail: heating@danfoss.com

Danfoss can accept no responsibility for possible errors in catalogues, brochures and other printed material. Danfoss reserves the right to alter its products without notice. This also applies to products already on order provided that such alterations can be made without subsequential changes being necessary in specifications already agreed. All trademarks in this material are property of the respective companies. Danfoss and all Danfoss logotypes are trademarks of Danfoss A/S. All rights reserved.

DEUTSCH

ESMT ist ein Pt 1000 Ω
Aussentemperaturfühler.



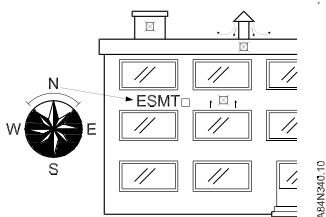
ESMT-1.1

ITALIANO

L'ESMT é una sonda per
temperatura esterna al Pt
1000.

Montage

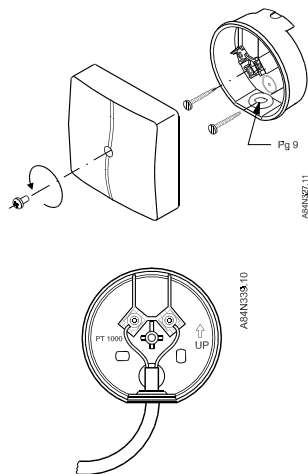
Der Fühler ist auf der
kältesten Fassade (kälteste
Zone) des betreffenden
Gebäudes anzuordnen.
Normalerweise wird es die
Nordfassade sein.

**Installazione**

La sonda deve essere
installata nel punto
piú freddo dell'edificio
(normalmente con
esposizione a Nord).

Elektrischer Anschluss

Die Leiter können beliebig
angeschlossen werden.
Anschlusskabel:
2 x 0,4 - 1,5 mm².

**Collegamento elettrico**

I fili devono essere
collegati secondo lo
schema elettrico.
Cavo di collegam.:
2 x da 0,4 a 1,5 mm².